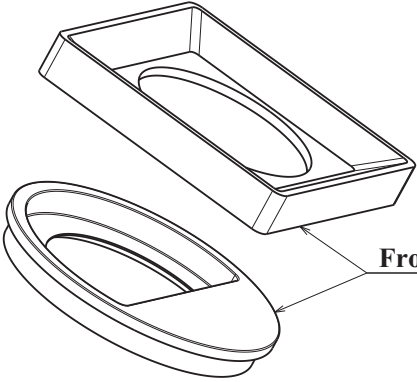


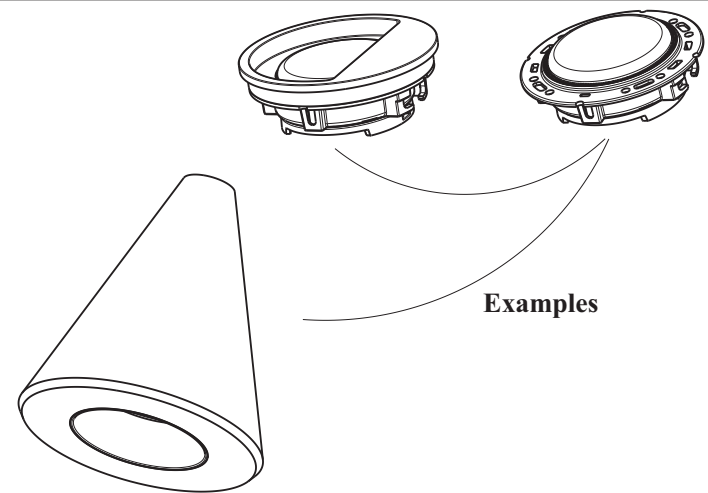
H G F E D C B A

4

4

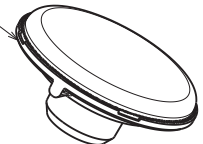


Front plate examples



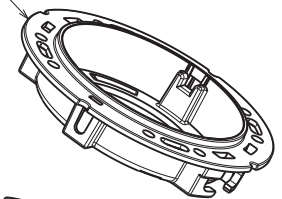
Examples

D=49.9



Optic

D=69.9mm

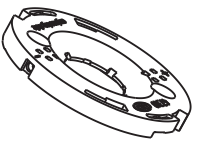


Holder A

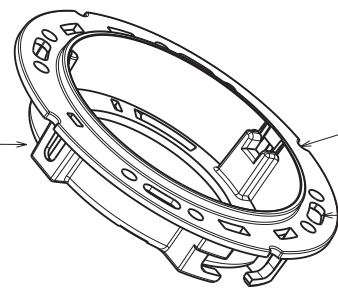
- Bender-wirth model 4xx Typ L1
- TE 22xxxxx-2 + 2213194-1
- Ledil-clamp
- Other twist and lock

Holder B

- BJB 47.319.2xxx 50mm
- A.A.G. Stucchi 8xxx/G2 50mm
- Ideal chip lok jr 50-20 & 50-30



Horizontal fix: M3 Nut + bolt



Rotation fix

**Vertical fix: M3 Screw /
Twist and lock / Snap**



LES size up to ~14mm, see compatibility www.ledil.com

<small>Tolerances if not otherwise shown According to DIN ISO 2768-1 Linear measures: up to 30mm class M, otherwise class C According to DIN ISO 2768-2 Form and position: class L</small>			Ledil Oy Salorankatu 10 FIN 24240 SALO Finland	
THIRD ANGLE PROJECTION:			DRAWING TITLE <h3 style="text-align: center;">RONDA-B family</h3>	
<small>This drawing is the property of LEDiL Oy. It may not be reproduced, copied or communicated without a written agreement with LEDiL Oy.</small>		SIZE A3	PART NUMBER -	
		SCALE 1:1	WEIGHT -	SHEET 1/3

See more details on page 2 and 3

H G F E D C B A

1

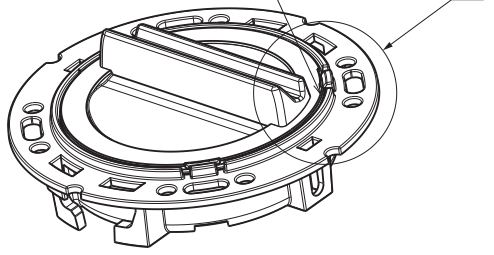
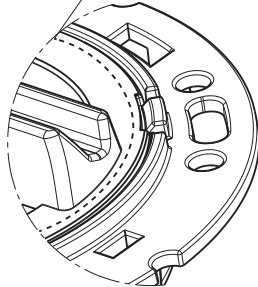
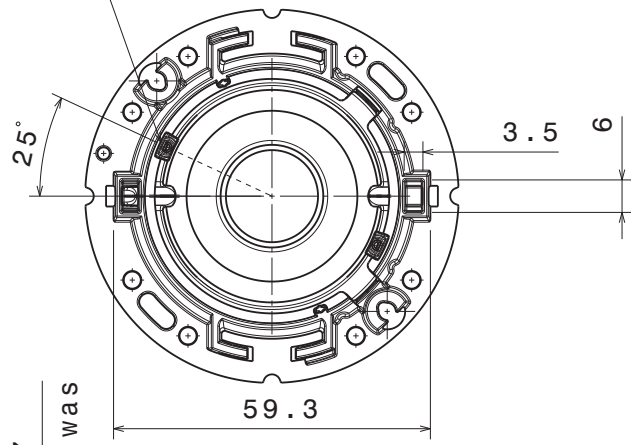
1

H G F E D C B A

BJB/Stucchi twist and lock

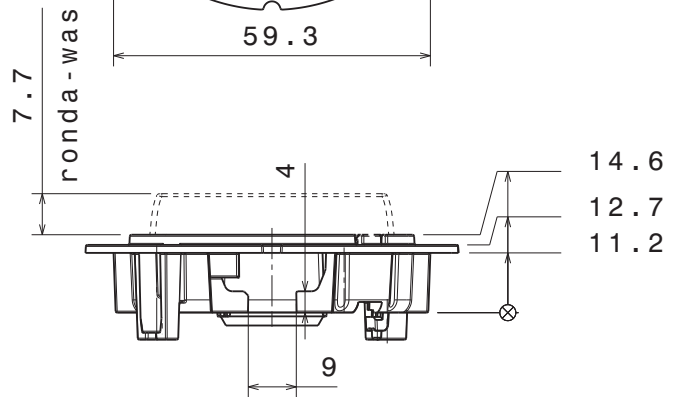
Front panel location suggestion when seamless look needed

Bottom view

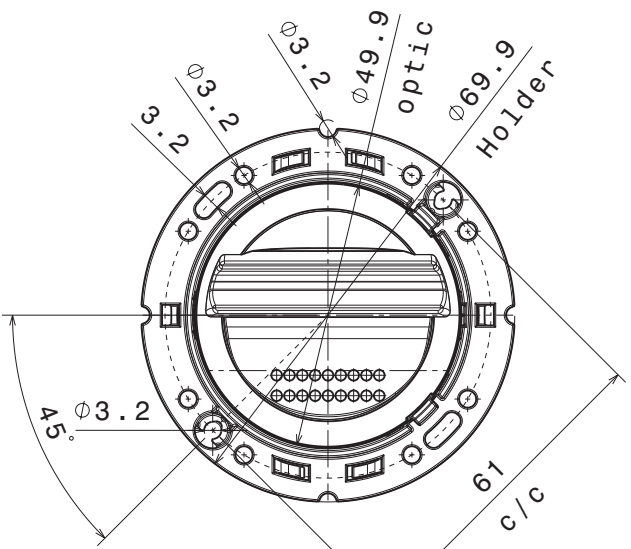


Detail A

Front view




Top view



Tolerances if not otherwise shown
According to DIN ISO 2768-1
Linear measures:
up to 30mm class M, otherwise class C
According to DIN ISO 2768-2
Form and position: class L

THIRD ANGLE PROJECTION:

This drawing is the property of LEDiL Oy. It may not be reproduced, copied or communicated without a written agreement with LEDiL Oy.

 Ledil Oy Salorankatu 10 FIN 24240 SALO Finland		DRAWING TITLE	
		RONDA-B family	
SIZE	PART NUMBER		
A3	-		
SCALE	1:1	WEIGHT	-
SHEET			2/3

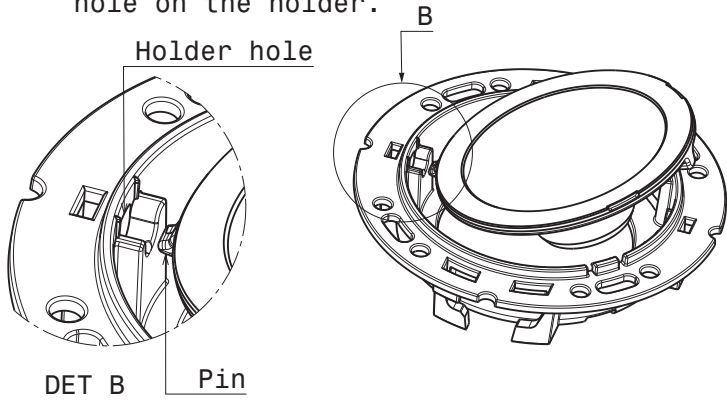
H G F E D C B A

4
3
2
1

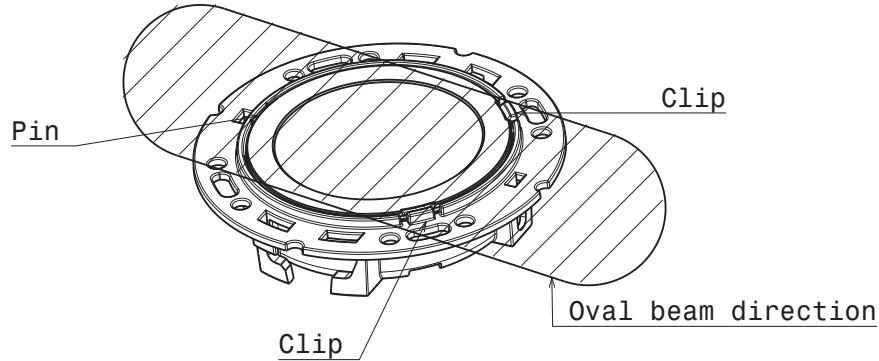
4
3
2
1

OPTIC/HOLDER ASSEMBLY

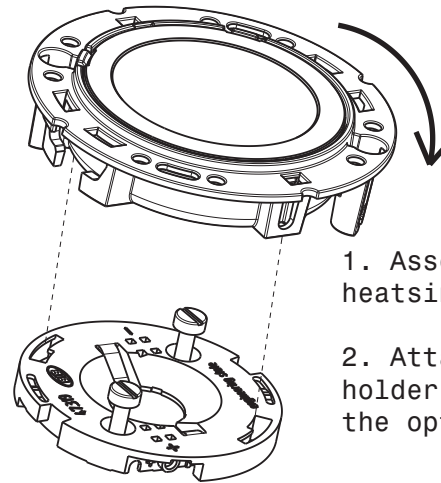
1. Place pin on the side of the lens into relative hole on the holder.



2. Press the lens under clips on the holder, ensuring both clips are fixed.



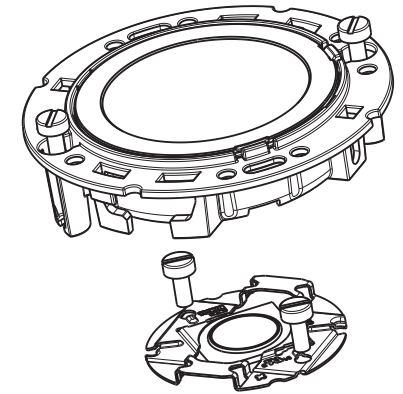
TYPICAL CONNECTOR ASSEMBLY (including solderless BJB 47.319.2xxx 50mm as example)



1. Assemble LED and BJB connector on heatsink with M3 screw.
2. Attach optic by aligning hooks in the holder with connector holes and turning the optic holder clockwise until it locks.

TYPICAL CONNECTOR ASSEMBLY (including solderless IDEAL chip lok jr 50-20 as example)

1. Assemble LED and IDEAL connector on heatsink with M3 screw.
2. Attach optic by aligning the screw towers in the holder with relative holes in heatsink. Optionally use 2 position pins in the holder bottom as focus element.



Tolerances if not otherwise shown
According to DIN ISO 2768-1
Linear measures:
up to 30mm class M, otherwise class C
According to DIN ISO 2768-2
Form and position: class L

LEDiL LediL Oy
Salorankatu 10
FIN 24240 SALO
Finland

THIRD ANGLE PROJECTION:



DRAWING TITLE
RONDA-B family

This drawing is the property of LEDiL Oy. It may not be reproduced, copied or communicated without a written agreement with LEDiL Oy.

SIZE	PART NUMBER
A3	-

SCALE	1:1	WEIGHT	-	SHEET	3/3
-------	-----	--------	---	-------	-----