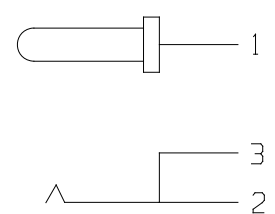
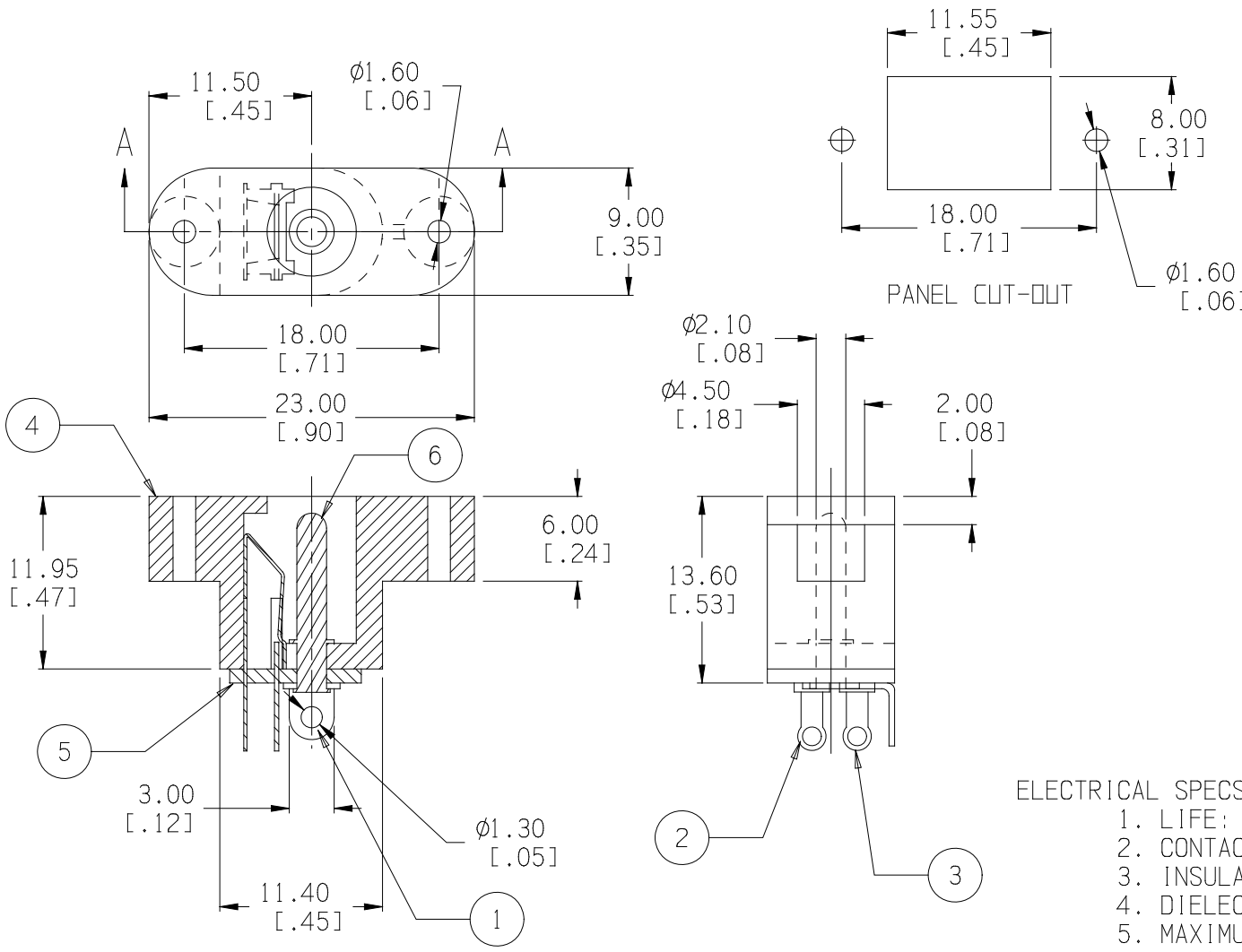


Date	SYM	REVISION RECORD	AUTH	DR.	CK.
05/08/04	A	ADDED ELECTRICAL SPECS	T.B.	B.S.	
12/05/14	B	UPDATED TO ROHS 2 COMPLIANT	T.B.	B.S.	
12/19/14	C	DIM. 18.20 WAS 17.90 DIM. 22.90 WAS 22.80 DIM. 11.95 WAS 12.00 DIM. 6.00 WAS 5.80 DIM. 2.00 WAS 1.80	T.B.	B.S.	
01/06/17	D	DIM. 18.00 WAS 18.20 DIM. 23.00 WAS 22.90 DIM. 11.50 WAS 11.40 DIM. 4.50 WAS 4.80	T.B.	B.S.	
05/04/20	E	ADDED UL FILE NO.	T.B.	B.S.	



SCHEMATIC DIAGRAM

ELECTRICAL SPECS:
 1. LIFE: 10,000 INSERTION/WITHDRAWAL CYCLE MINIMUM
 2. CONTACT RESISTANCE: 50mU MAXIMUM
 3. INSULATION RESISTANCE: 1000mU MINIMUM
 4. DIELECTRIC WITHSTANDING VOLTAGE: 500AC MAXIMUM
 5. MAXIMUM RATING: 5A, 12V DC
 ROHS 2 COMPLIANT

ITEM NO.	PART NAME	MATL. SPECIFICATION	Tolerance (Inches)	MPD Memory Protection Devices, Inc. 200 Broad Hollow Road, Farmingdale, New York 11735		
1	PIN TERMINAL	0.4 THK BRASS, SILVER PLTD.	Decimal ±.5 (.020)	Scale	Drawn By B.S.	
2	SLEEVE SPRING	0.2 THK PHOSPHORSCENT BRONZE, SILVER PLTD.			Approved By T.B.	
3	BREAK TERMINAL	0.3 THK BRASS, SILVER PLTD.	Fractional ± .8 (.030)	Title DC JACK - PANEL MOUNT TYPE		
4	HOUSING	BLACK, P.B.T., E107536, UL94V-0		Date 05/04/20	Drawing Number EJ505A	
5	INSULATOR	BAKELITE, NATURAL				
6	PIN (Ø2.1)	COPPER, NICKLE PLTD.	Angular ± 3°			