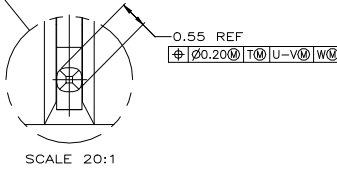
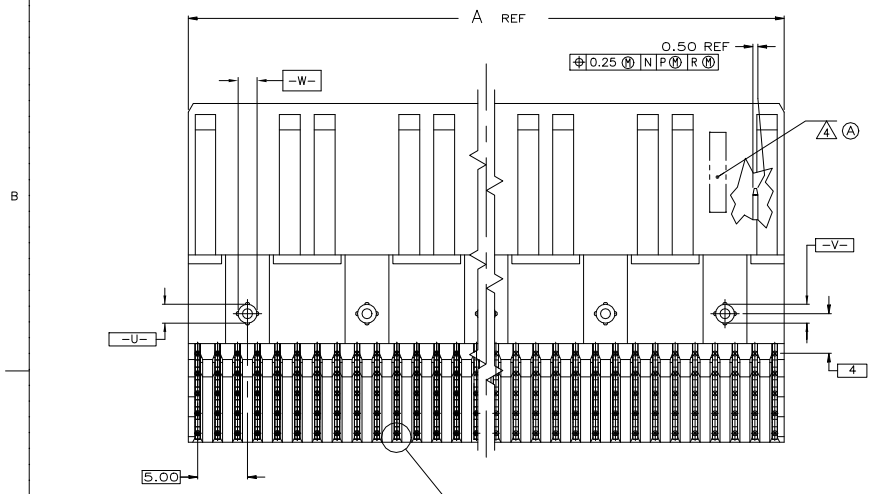
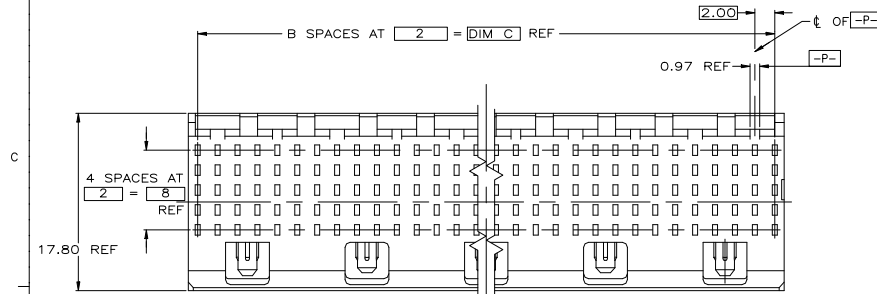
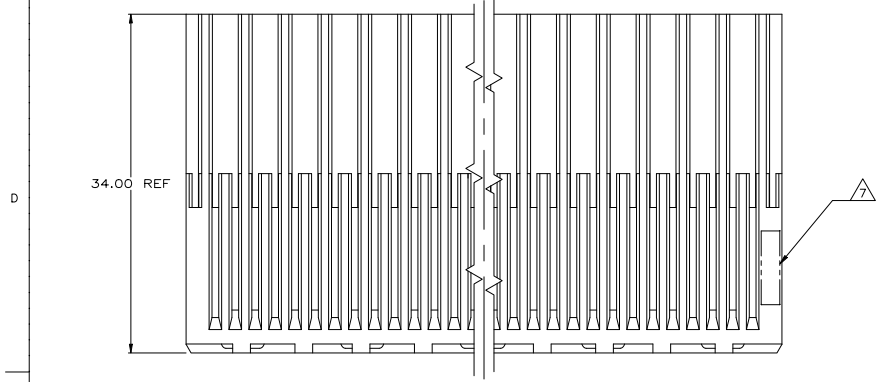
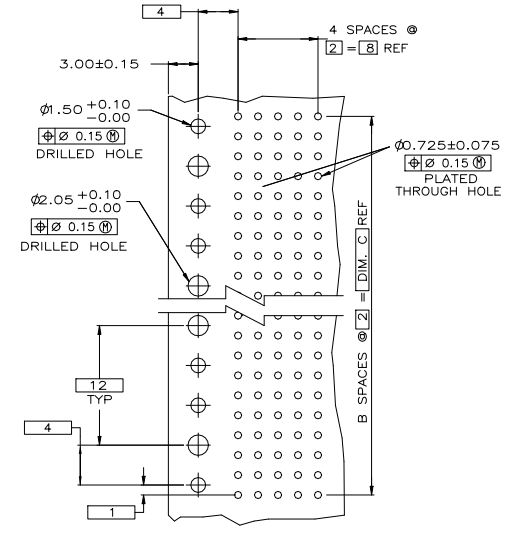
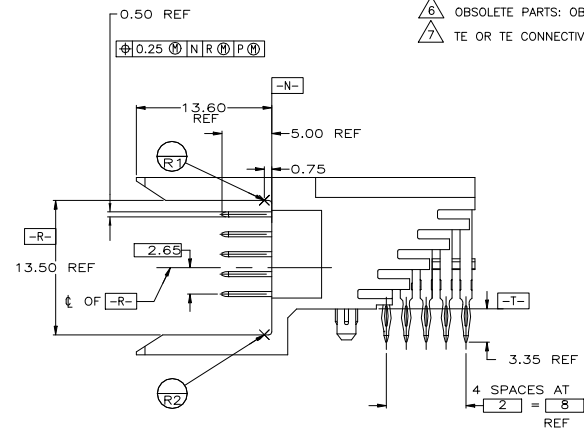


REVISIONS				
P	LNK	DESCRIPTION	DATE	BY/APP
C		REVISED PER ECO-20-013368	25SEP2020	RZ/HL



SCALE 20:1

- △ HOUSING MATERIAL: LIQUID CRYSTAL POLYMER
COLOR: NATURAL.
- △ CONTACT MATERIAL: PHOSPHOR BRONZE
- △ CONTACT FINISH:(C)
UNDERPLATE (ENTIRE CONTACT):
0.00127 MIN NICKEL PER SAE-AMS-QQ-N-290
ON MATING SURFACES:
CONFORMS TO ALL TESTING SPECIFIED FOR TELCORDIA
UNCONTROLLED ENVIRONMENT.
ON LEADS:
0.0005 MIN MATTE TIN PER ASTM B 545 OVER UNDERPLATE.
LUBRICATION (MIN MATING SURFACES):
SURFACE CONDITIONER AFTER PLATING.
- Ⓐ PART MARKING PER TE SPEC 115-9009 LOCATED APPROXIMATELY
AS SHOWN BETWEEN RIBS/SLOTS ON EITHER SIDE OF HOUSING AT
MANUFACTURER'S DISCRETION.
- △ PART TO BE MARKED WITH DATE CODE ONLY.
- △ OBSOLETE PARTS: OBSOLETE CIS STREAMLINING PER D.RENAUD/D.SINISI
- △ TE OR TE CONNECTIVITY LOGO IS LOCATED.



RECOMMENDED CIRCUIT PATTERN
PER IPC-D300 TYPE II, CLASS C
(COMPONENT SIDE)

OBSOLETE	82	41	83.88	△	210	5223524-7
	70	35	71.88	△	180	5223524-6
△ OBSOLETE	58	29	59.88	△	150	5223524-5
	46	23	47.88	△	120	5223524-4
△ OBSOLETE	34	17	35.88	△	90	5223524-3
	22	11	23.88	△	60	5223524-2
	10	5	11.88	△	30	5223524-1
	C	B	A	FINISH	NO. OF POSN	PART NUMBER

THIS DRAWING IS A CONTROLLED DOCUMENT. **TE CONNECTIVITY**

DATE: 25SEP2020
 DRAWN BY: R. WERTZ
 CHECKED BY: R. WERTZ
 APPROVED BY: R. WERTZ

PART NAME: ASSEMBLY, PIN HEADER, RIGHT ANGLE,
 5 ROW, 2-PACK 2mm FB,
 PRESS FIT LEADS

APPLICATION SPEC:
 SIZE: 0.000000
 WEIGHT: 0.000000
 MATERIAL:
 FINISH:
 CUSTOMER DRAWING

SCALE: 4:1
 SHEET: 1 OF 1
 REV: C