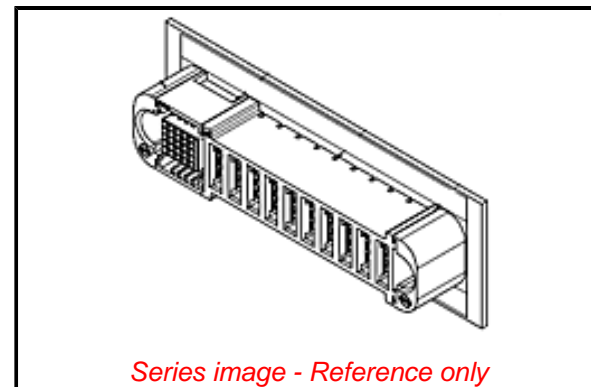


PLEASE CHECK WWW.MOLEX.COM FOR LATEST PART INFORMATION

Part Number: [0465621394](#)
Status: **Active**
Overview: EXTreme Ten60Power High-Current Connector
Description: 2.00mm, 5.50mm Pitch EXTreme Ten60Power Vertical Receptacle with Guides, 10 DC Power Circuits, 25 HD Signal Circuits

Documents:

Drawing (PDF)	Test Summary 464361000-TS-000 (PDF)
Product Specification PS-46436-100-001 (PDF)	Datasheet (PDF)
Application Specification AS-46436-100-001 (PDF)	RoHS Certificate of Compliance (PDF)
Packaging Specification PK-46562-001-000 (PDF)	



Agency Certification

CSA	LR19980
UL	E29179

Application tooling part link

Application Tooling Part Link	62100-7900
-------------------------------	------------

General

Product Family	PCB Receptacles
Series	46562
Application	Board-to-Board, Power, Signal
Comments	See PS-46436-100 for details
Overview	EXTreme Ten60Power High-Current Connector
Product Name	EXTreme Ten60Power
UPC	887191128962

Physical

(p)ower-(s)ignal Configuration	10p - 25s
Circuits (Loaded)	35
Circuits (maximum)	35
Color - Resin	Black
Durability (mating cycles max)	200
Flammability	94V-0
Glow-Wire Capable	No
Guide to Mating Part	Yes
Mated Height	18.00mm
Material - Metal	Copper Alloy
Material - Plating Mating	Gold
Material - Plating Termination	Matte Tin
Material - Resin	High Temperature Thermoplastic
Net Weight	25.850/g
Number of Rows	1
Orientation	Vertical
PC Tail Length	2.50mm, 2.82mm
PCB Retention	None
PCB Thickness - Recommended	1.58mm
Packaging Type	Tray
Pitch - Mating Interface	2.00mm, 5.50mm
Polarized to Mating Part	Yes
Polarized to PCB	Yes
Stackable	No
Surface Mount Compatible (SMC)	No
Temperature Range - Operating	-40° to +105°C
Termination Interface: Style	Through Hole - Compliant Pin

Electrical

EU ELV

Not Relevant

EU RoHS

Compliant

REACH SVHC

Not Contained Per -
D(2021)4569-DC (8
July 2021)

Halogen-Free

Status

Low-Halogen

For more information, please visit [Contact US](#)

China ROHS

ELV

RoHS Phthalates

China RoHS

Green Image

Not Relevant

Not Contained

Search Parts in this Series

[46562 Series](#)

Application Tooling | FAQ

Tooling specifications and manuals are found by selecting the products below. Crimp Height Specifications are then contained in the Application Tooling Specification document.

Global

Description	Product #
Removal Tool for Ten60 Power Receptacle Terminals	621007900

Current - Maximum per Contact	2.5A, 60.0A
Grounding to PCB	No
Voltage - Maximum	600V AC / 250V DC

Solder Process Data

Duration at Max. Process Temperature (seconds)	040
Lead-free Process Capability	SMC&WAVE
Max. Cycles at Max. Process Temperature	003
Process Temperature max. C	260

Material Info**Reference - Drawing Numbers**

Application Specification	AS-46436-100-001
Packaging Specification	PK-46562-001-000
Product Specification	PS-46436-100-001
Sales Drawing	SD-46562-1394-001
Test Summary	464361000-TS-000

This document was generated on 10/04/2021

PLEASE CHECK WWW.MOLEX.COM FOR LATEST PART INFORMATION