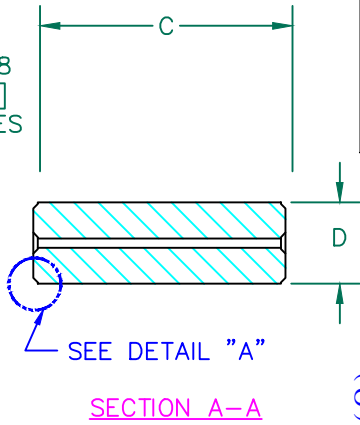
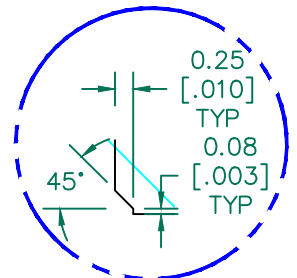
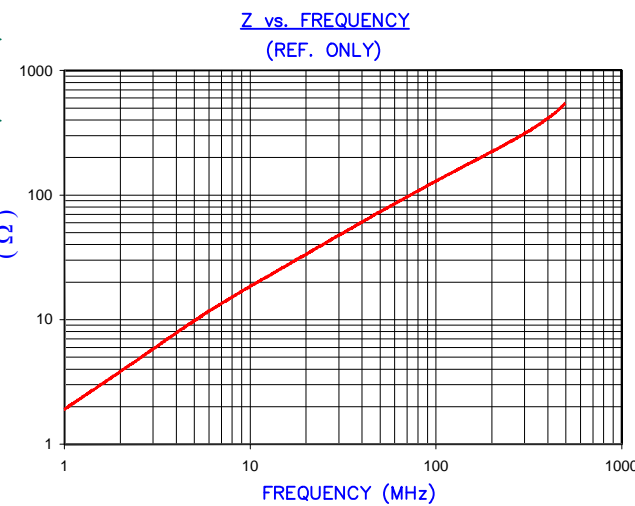


R 2.248
[.0885]
2 PLACES



IMPEDANCE (Z)			
Frequency	25 MHz	100 MHz	300 MHz
Nominal (REF)	44 Ω	140 Ω	310 Ω
Minimum	- Ω	112 Ω	- Ω



DETAIL A
SCALE: 10:1

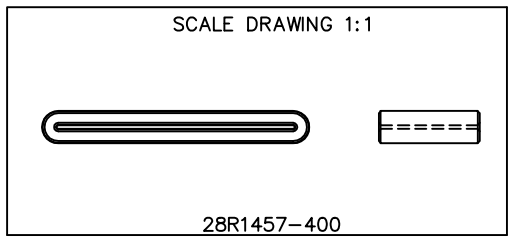
NOTES: UNLESS OTHERWISE SPECIFIED

1. COSMETIC SPECIFICATION REFER TO WI-QA-038.

FERRITE CORE DIMENSIONS (SPEC):mm[Inches]

A	37.01 [1.457]	+ 0.64 [.025]
B	33.00 [1.299]	+ 0.51 [.020]
C	13.46 [.530]	+ 0.38 [.015]
D	4.50 [.177]	+ 0.38 [.015] - 0.13 [.005]
E	0.51 [.020]	+ 0.20 [.008] - 0.13 [.005]

WEIGHT/1000 9.96 kgs [21.97 Lbs]



DIMENSIONS ARE IN mm[INCHES].				This print is the property of Laird Tech. and is loaned in confidence subject to return upon request and with the understanding that no copies shall be made without the written consent of Laird Tech. All rights to design or invention are reserved.			
REV	DESCRIPTION	DATE	INT				
G	UPDATE COMPANY LOGO	06/19/15	QIU	PROJECT/PART NUMBER: 28R1457-400		REV G	DRAWN BY: JBE
F	UPDATE MIN Z SPECS & COMPANY LOGO	07/27/07	TMB				
E	UPDATE FORMAT AND Z SPECS	02/09/04	JRK	DATE: 10/19/94		SCALE: 2.5 : 1	MATERIAL: FERRITE
D	CHG CHAMFER ANGLE FROM 30 TO 45 UPDATE FORMAT AND Z SPECS	02/26/03	JRK				
C	UPDATE TO CNZ FORMAT UPDATE Z SPECS ADD Z CURVE, CHG C TOLS	09/11/02	JRK	CAD # 28R1457-400-G		TOOL # R1457	
B	UPDATE PRINT FOR ELECTRONIC DATABASE	09/27/95	JBE				
A	ORIGINAL DRAFT	10/19/94	JBE				
REV	DESCRIPTION	DATE	INT				