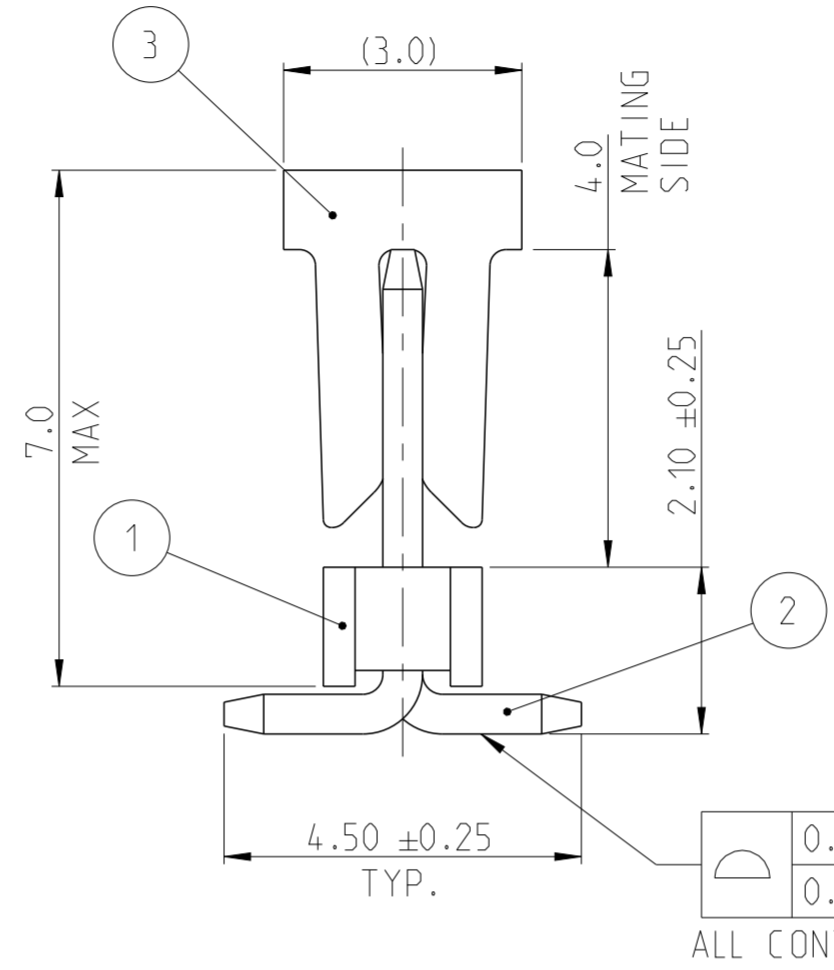
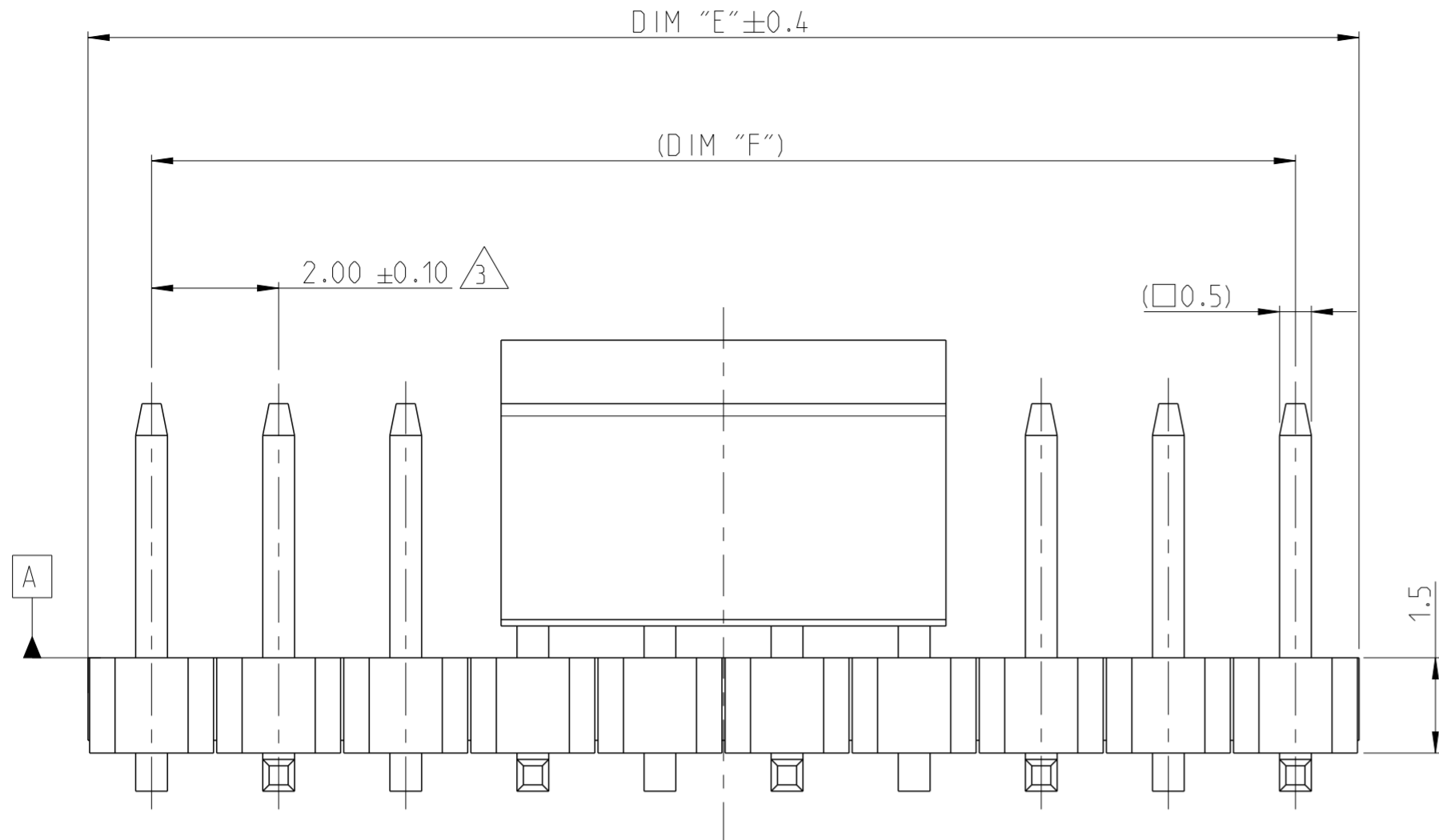


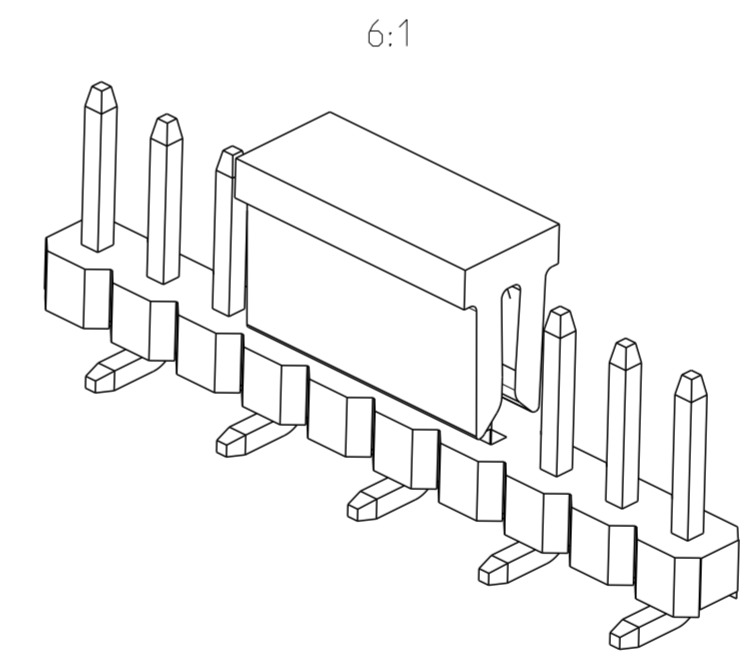
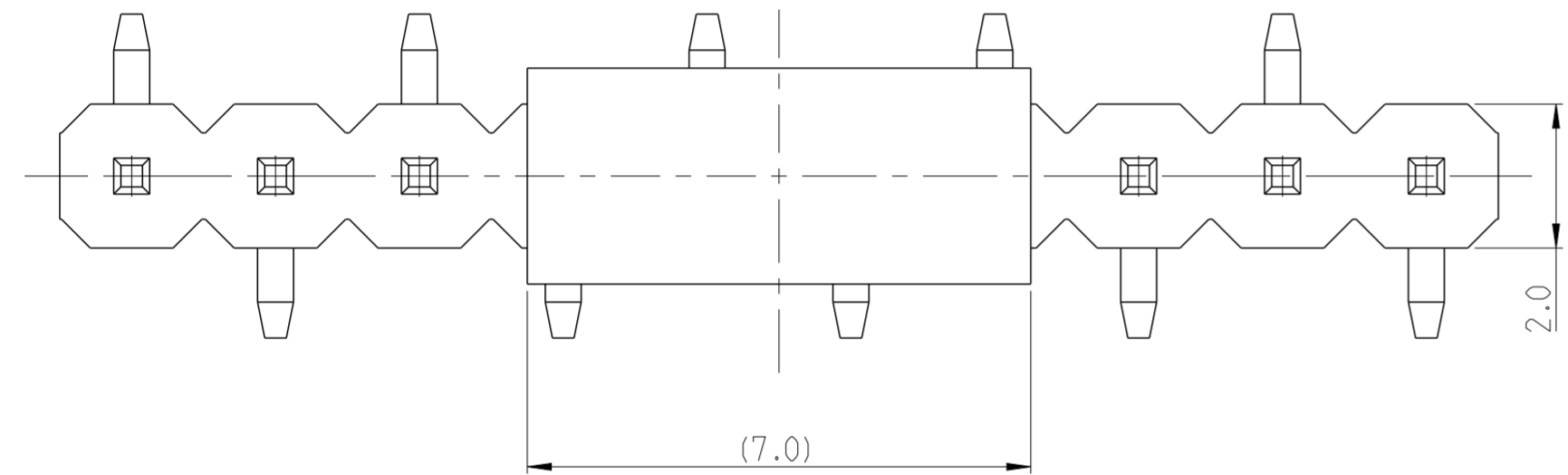
P	LTR	DESCRIPTION	DATE	DWN	APVD
A		RELEASE TO PRODUCTION	27AUG2019	AY	PS
B		CHANGED P AND P CAP LENGTH FROM 6.5 TO 7.0	16DEC2019	AY	PS



- NOTES:
- MATERIAL
HOUSING & P&P CAP : HIGH TEMPERATURE THERMOPLASTIC, UL94-V0;
COLOR- BLACK
CONTACT PIN : COPPER ALLOY
FINISH :
MATING SIDE: MIN. 0.1 μm GOLD OVER NICKEL UNDER PLATING.
SOLDER SIDE: MIN. 2.0 μm BRIGHT TIN OVER NICKEL UNDER PLATING.
 - PACKAGING: TAPE AND REEL (WITH PICK AND PLACE CAP).
 - TOLERANCE NOT CUMULATIVE.
 - CUTTING BURR MAX. 0.25 mm.

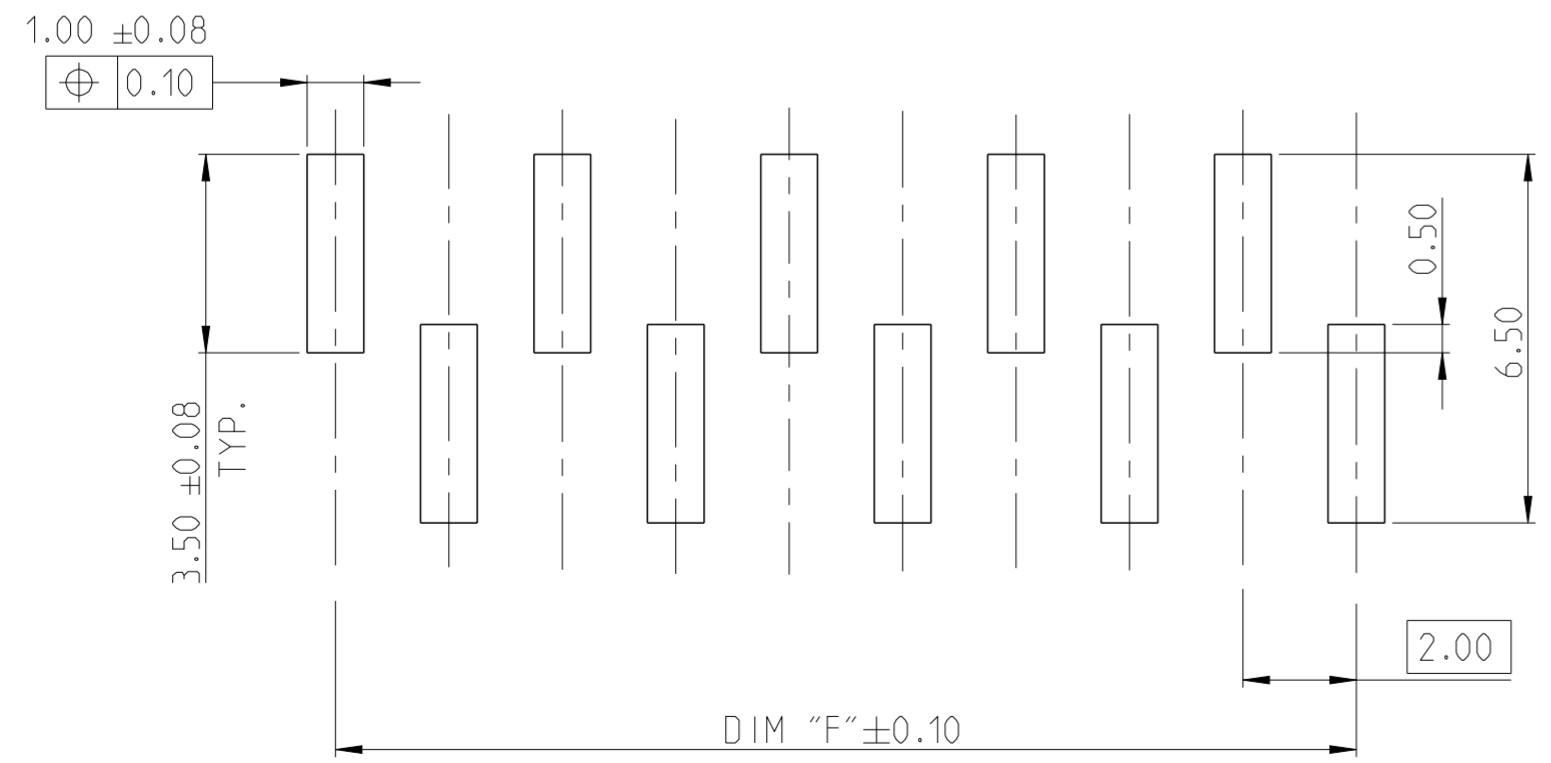
0.10	A	02-15 POS
0.15	A	16-25 POS

ALL CONTACTS



1-2842102-0 AS SHOWN

DIM "F"	DIM "E"	POS	TE PN
48.0	50.0	25	2-2842102-5
46.0	48.0	24	2-2842102-4
44.0	46.0	23	2-2842102-3
42.0	44.0	22	2-2842102-2
40.0	42.0	21	2-2842102-1
38.0	40.0	20	2-2842102-0
36.0	38.0	19	1-2842102-9
34.0	36.0	18	1-2842102-8
32.0	34.0	17	1-2842102-7
30.0	32.0	16	1-2842102-6
28.0	30.0	15	1-2842102-5
26.0	28.0	14	1-2842102-4
24.0	26.0	13	1-2842102-3
22.0	24.0	12	1-2842102-2
20.0	22.0	11	1-2842102-1
18.0	20.0	10	1-2842102-0
16.0	18.0	9	2842102-9
14.0	16.0	8	2842102-8
12.0	14.0	7	2842102-7
10.0	12.0	6	2842102-6
8.0	10.0	5	2842102-5
6.0	8.0	4	2842102-4
4.0	6.0	3	2842102-3
2.0	4.0	2	2842102-2



RECOMMENDED PCB PATTERN

PICK AND PLACE CAP	3
CONTACT PIN	2
HOUSING	1
DESCRIPTION	ITEM NO.

THIS DRAWING IS A CONTROLLED DOCUMENT.		DWN	08AUG2019
		CHK	13AUG2019
		APVD	14AUG2019
DIMENSIONS: mm		TOLERANCES UNLESS OTHERWISE SPECIFIED:	
0 PLC ±		±0.2	
1 PLC ±		±0.15	
2 PLC ±		±	
3 PLC ±		±	
4 PLC ±		±	
ANGLES		±2°	
FINISH		SEE NOTES	
MATERIAL		SEE NOTES	
-		-	

DWN		08AUG2019	
CHK		13AUG2019	
APVD		14AUG2019	
NAME		ANKIT YADAV	
PRODUCT SPEC		108-64040	
APPLICATION SPEC		114-32259	
WEIGHT		-	
CUSTOMER DRAWING		SCALE 5:1 SHEET 1 OF 1 REV B	



AMPMODU 2mm BREAKAWAY HEADER, SINGLE ROW, VERTICAL SMD, 0.1 Au.T/R, PICK AND PLACE CAP