

4

3

2

1

THIS DRAWING AND THE SUBJECT MATTER SHOWN THEREON ARE CONFIDENTIAL AND THE PROPERTY OF BEL/STEWART/TRP CONNECTOR AND SHALL NOT BE REPRODUCED, COPIED, OR USED IN ANY MANNER WITHOUT THE WRITTEN CONSENT OF TRP CONNECTOR.

PRODUCT MAY BE PROTECTED BY ONE OR MORE OF THE FOLLOWING US PATENTS:  
5736910 5939955 6425781 6428361 6554638 6840817 7123117  
7429195 7717749 7808751 6217391 6149050 7924130

REVISIONS

P	LTR	DESCRIPTION	DATE	DWN	APVD
4		SEE LAST SHEET	04MAY2016	TRY	TY
5		SEE LAST SHEET	06MAY2016	TRY	TY

1. MATERIALS

HOUSING: THERMOPLASTIC, BLACK, FLAMMABILITY RATED UL 94V-0

SHIELD: BRASS, 0.20mm THICK,

PREPLATED WITH MIN 0.76um SEMI-BRIGHT NICKEL

POST DIPPED WITH 2.54um MIN SAC SOLDER AT GROUND PINS.

CONTACTS: PHOSPHOR BRONZE, PLATED WITH 1.27um MIN OVERALL NICKEL UNDERPLATE,

SELECTIVE 1.27um MIN GOLD AT MATING INTERFACE AND 2.54um MIN MATTE

TIN ON SOLDER TAILS. OR 1.27um MIN NICKEL UNDERPLATE, WITH 0.05um

GOLD PLATING OVER 0.76um MIN PALLADIUM NICKEL PLATING AT MATING

INTERFACE AND 2.54um MIN MATTE TIN ON SOLDER TAILS.

SOLDER TAIL: PHOSPHOR BRONZE,

WITH 1.27um MIN OVERALL NICKEL UNDERPLATE AND

PLATED WITH 2.54um MIN TIN

LED: DIFFUSED EPOXY LENS, 0.50mm SQUARE CARBON STEEL WIREFRAME LEADS

PREPLATED WITH 2.03um MIN SILVER OVER 1.02um MIN NICKEL

OVER 1.02um MIN COPPER UNDERPLATE POST PLATED WITH 2.54um MIN TIN

2. MAGNETICS:

- APPLICATION: 1G/10G BASE-T

- IMPEDANCE: 100 OHMS

- TURNS RATIO (CHIP:CABLE): 1:1 ALL FOUR PAIRS

- OPEN CIRCUIT INDUCTANCE (OCL): 120 uH MIN @ 100kHz, 0.1VRMS,

8mA DC BIAS FROM 0°C TO 70°C, ALL FOUR PAIRS

- ALL FOUR PAIRS BI-DIRECTIONAL

- PERFORMANCE @ 25°C: PLEASE REFER TO SEPARATE SHEET

- ISOLATION VOLTAGE: 2250VDC FOR 60 SECONDS WITH A RISE TIME OF 500V/SEC,

3. THE MAGNETIC ARE SYMMETRICAL AND SUPPORT AUTO-MDIX OPERATION.

4. OPERATING TEMPERATURE: FROM 0°C TO 70°C

5. LEDS ARE DRIVEN WITH CONSTANT CURRENT AT APPROX 20 mA

LED COLOR:

DOMINANT WAVELENGTH (λD): GREEN 568 nm TYP @ IF=20 mA

FORWARD VOLTAGE (VF): GREEN 2.2V TYP @ IF=20 mA

DOMINANT WAVELENGTH (λD): ORANGE 605 nm TYP @ IF=20 mA

FORWARD VOLTAGE (VF): ORANGE 2.1V TYP @ IF=20 mA

6. ALL DIMENSIONS TO BE NOMINAL UNLESS OTHERWISE NOTED

7. RJ45 CAVITY CONFORMS TO FCC RULES AND REGULATION PART 68 SUBPART F.

8. PART SHOULD BE RECOMMENDED FOR WAVE SOLDERING PROCESS, PREHEAT TEMPERATURE IS 120° TO 160°C, 120 SECONDS TO 180 SECONDS, PEAK WAVE SOLDERING TEMPERATURE IS 260°C MAX, 10 SECONDS MAX.

NO	200 OHMS	2250394-2
WITH	75 OHMS	2250394-1
LEDs	R1 - R4	PART NUMBER

THIS DRAWING IS A CONTROLLED DOCUMENT.  
AND COMPLIANT TO ASME Y14.5MDWN 30MAR2016  
TOWER YU / FRANK LIU  
CHK 30MAR2016  
BILL LIUDIMENSIONS:  
mm  
TOLERANCES UNLESS OTHERWISE SPECIFIED:  
0 PLC ±0.25  
1 PLC ±0.25  
2 PLC ±0.25  
3 PLC ±0.25  
4 PLC ±  
ANGLES ±  
APPLICATION SPECAPVD 30MAR2016  
TONY YUAN  
MODEL NAME  
MAGJACK  
SINGLE NON-POE

DESC IXI, MAGJACK, VERTICAL  
4TG06, 10GIGABIT CIRCUIT, W/ LEDS

SIZE A2  
CAGE CODE  
DRAWING NO C-2250394  
RESTRICTED TO

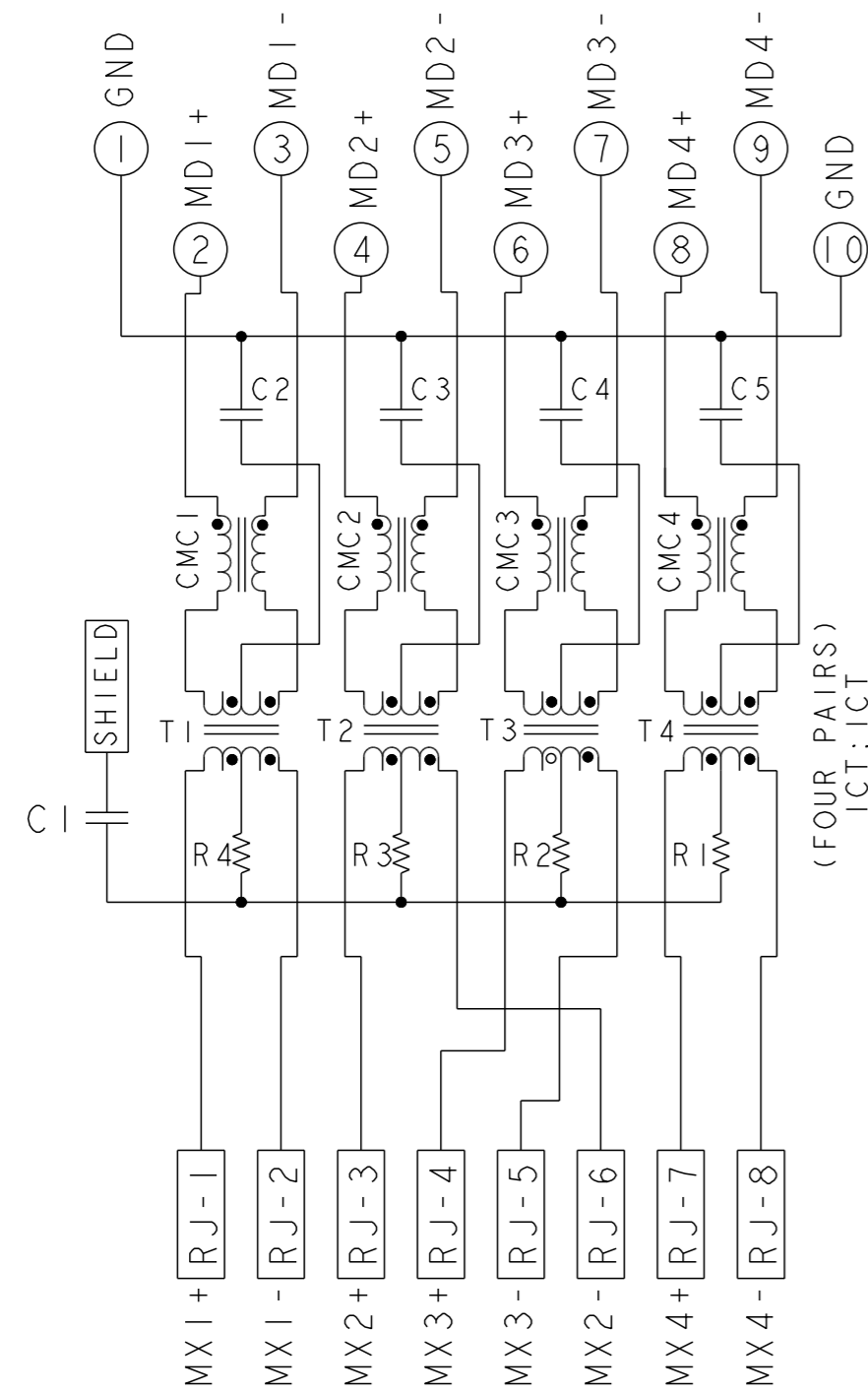
PRODUCT SPEC 108-104004

CUSTOMER DRAWING

SCALE 4:1 SHEET 1 OF 3 REV 5

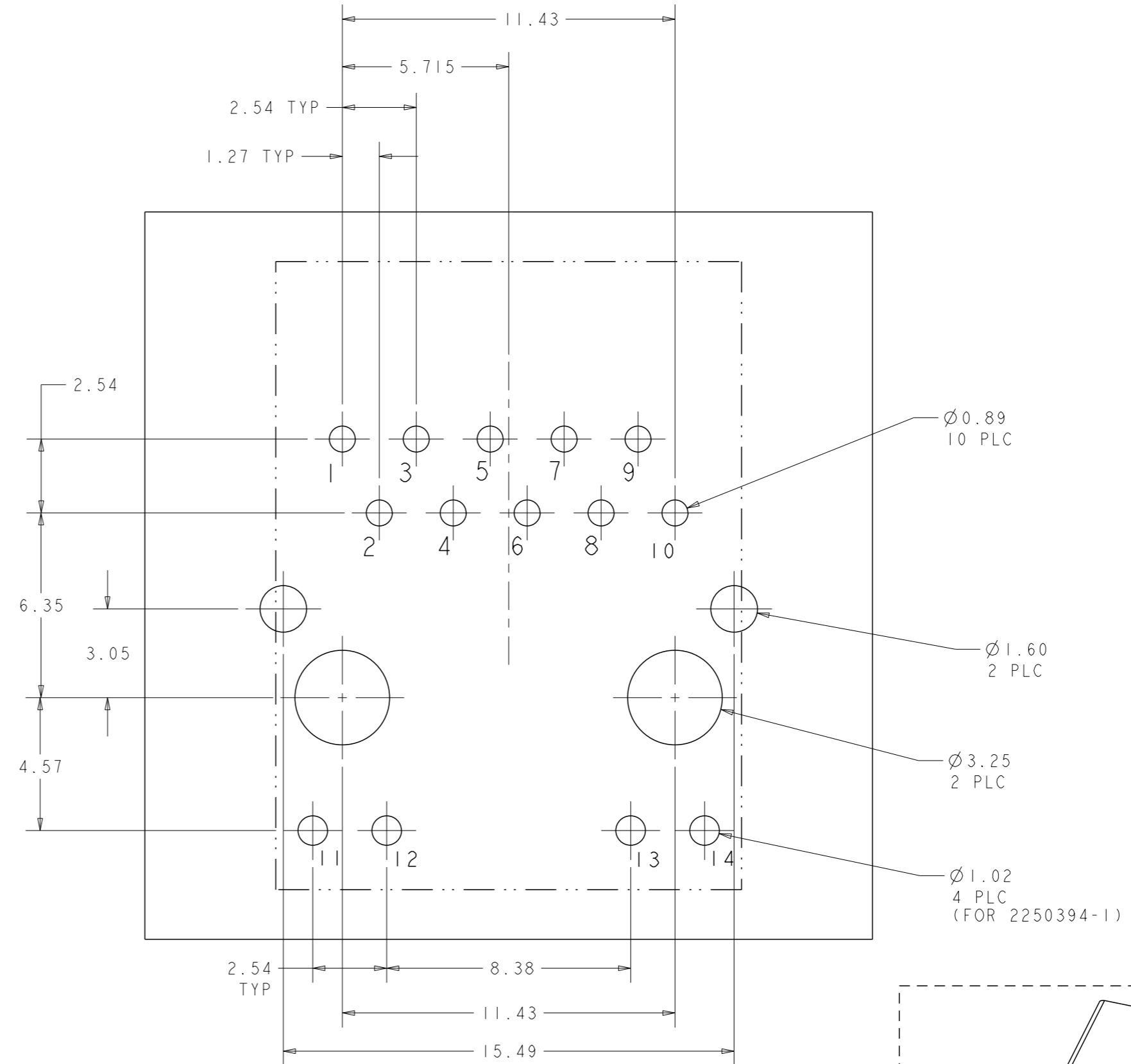
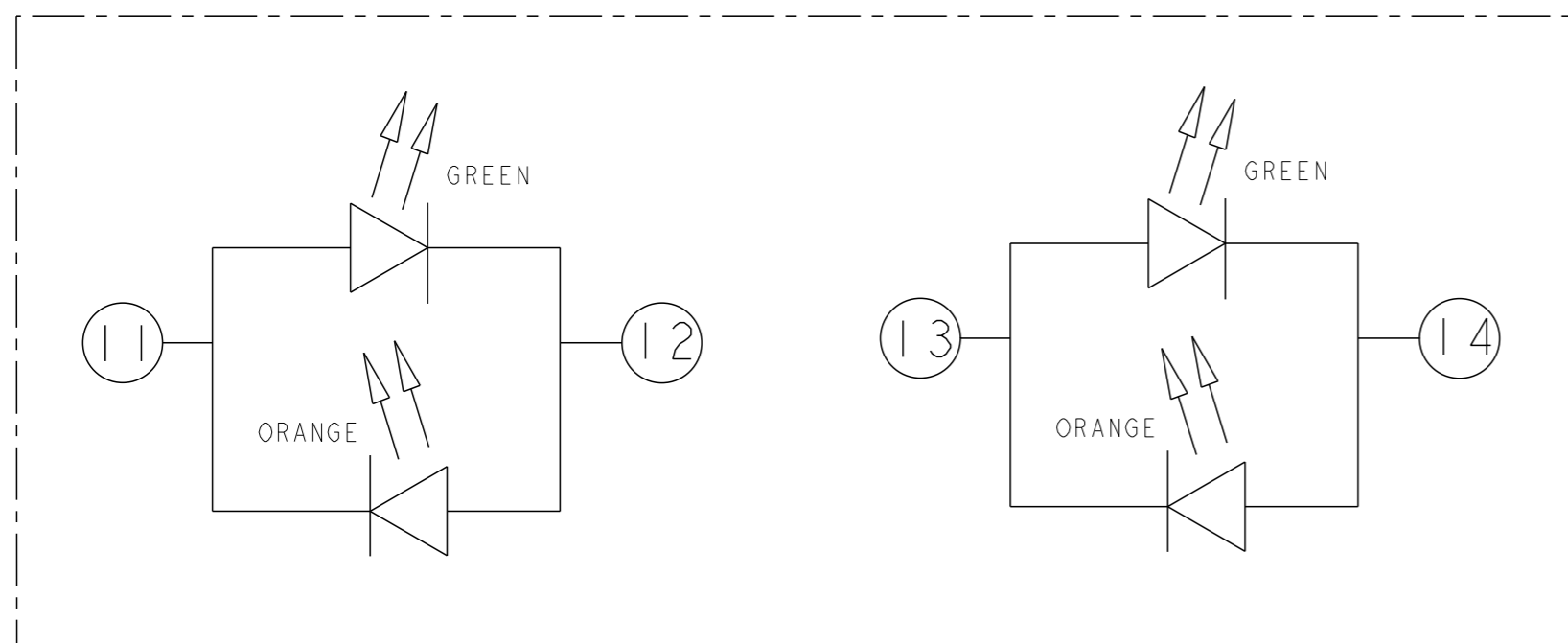
XXXX

# 4TG06 10G CIRCUIT

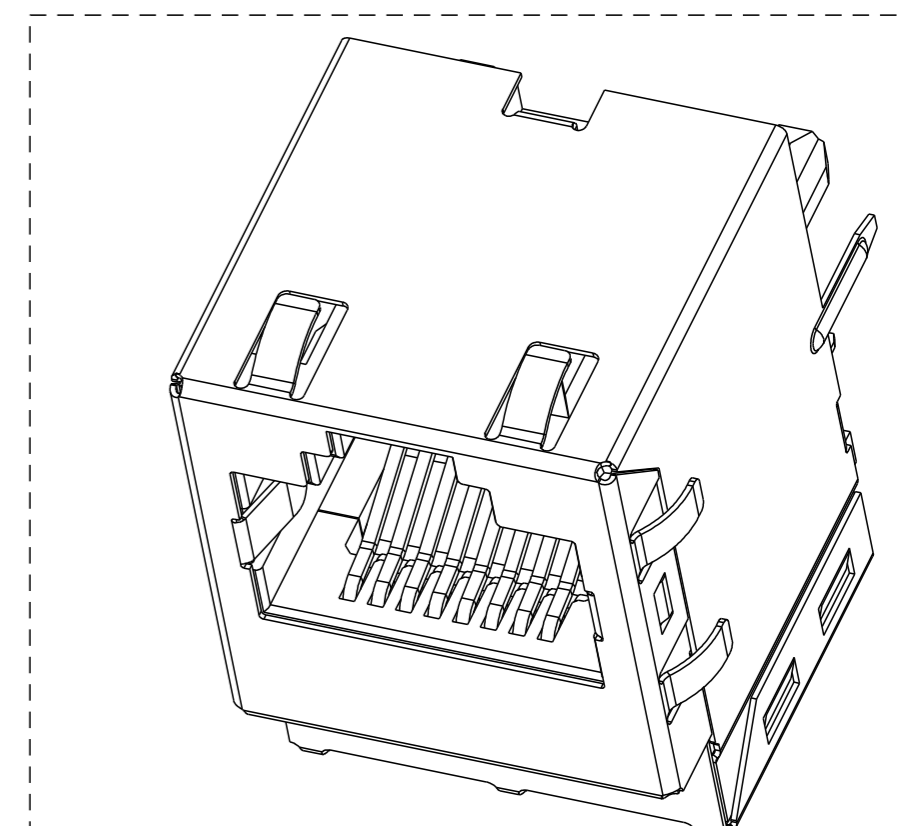


C2 - C5 = 0.1uF, 50V, CAPACITOR  
 C1 = 1000pF, 2KV, CAPACITOR  
 R1 - R4 = 75 ohms OR 200 ohms, RESISTOR


BI-COLOR LED  
 (2250394-1 ONLY)




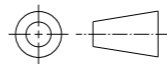
SUGGESTED PCB LAYOUT (TOL: ±0.05)  
 (COMPONENT SIDE VIEW)



2250394-2

THIS DRAWING IS A CONTROLLED DOCUMENT, AND COMPLIANT TO ASME Y14.5M		DWN TOWER YU / FRANK LIU 30MAR2016	 <b>trp</b> CONNECTOR a bel group DONGGUAN CHINA	
DIMENSIONS: mm		CHK BILL LIU 30MAR2016		
TOLERANCES UNLESS OTHERWISE SPECIFIED:		APVD TONY YUAN 30MAR2016	DESC 1X1, MAGJACK, VERTICAL 4TG06, 10GIGABIT CIRCUIT, W/ LEDS	
0 PLC ±0.25 1 PLC ±0.25 2 PLC ±0.25 3 PLC ±0.25 4 PLC ± ANGLES ± APPLICATION SPEC		MODEL NAME MAGJACK SINGLE NON-POE	SIZE A2	RESTRICTED TO -
PRODUCT SPEC 108-104004		DRAWING NO C-2250394		SCALE 4:1
CUSTOMER DRAWING			SHEET 2 OF 3	REV 5

2250394_C					STOCK DISPOSITION			
REVISION HISTORY					A: CONTINUE AS IS      D: USE OLD FIRST B: REWORK                E: PARTS TO CONFORM C: SCRAP                  F: OTHER			
DATE	REV	CHANGES	REASON	APPROVAL	INVENTORY (A,B,C, D,E,F)	WORK IN PROCESS (A,B,C,F)	SUPPLIER ORDERS (A,E,F)	OPEN CUST ORDERS (A,E,F)
31MAR2016	1	-	INITIAL RELEASE	TONY YUAN	-	-	-	-
19APR2016	2	CHANGE SINGLE COLOR LED TO BI-COLOR LED ADD EMI FINGERS ON SHIELD	MARKET REQUEST	TONY YUAN	-	-	-	-
25APR2016	3	ADD DIMENSIONS FOR EMI FINGERS AND RJ45 CAVITY ADD SOLDERING PROCESS CORRECT PIN 1 FROM VCC TO GND	MARKET REQUEST	TONY YUAN	-	-	-	-
04MAY2016	4	ADD DASH NUMBER -2 FOR DIFFERENT RESISTORS	MARKET REQUEST	TONY YUAN	-	-	-	-
06MAY2016	5	REMOVE LEDS FROM 2250394-2	MARKET REQUEST	TONY YUAN	-	-	-	-

THIS DRAWING IS A CONTROLLED DOCUMENT. AND COMPLIANT TO ASME Y14.5M		DWN TOWER YU / FRANK LIU 30MAR2016	 <b>trp</b> CONNECTOR a bel group	DONGGUAN CHINA
DIMENSIONS: mm		CHK BILL LIU 30MAR2016		
		TOLERANCES UNLESS OTHERWISE SPECIFIED: 0 PLC ±0.25 1 PLC ±0.25 2 PLC ±0.25 3 PLC ±0.25 4 PLC ± ANGLES ± APPLICATION SPEC		APVD TONY YUAN 30MAR2016
PRODUCT SPEC 108-104004		MODEL NAME MAGJACK SINGLE NON-POE		DESC IXI, MAGJACK, VERTICAL 4TG06, 10GIGABIT CIRCUIT, W/ LEDS
		SIZE A2	CAGE CODE C-2250394	RESTRICTED TO -
CUSTOMER DRAWING			SCALE 4:1	SHEET 3 OF 3 REV 5