

1 2 3 4 5 6 7 8

A

B

C

D

E

F

A

B

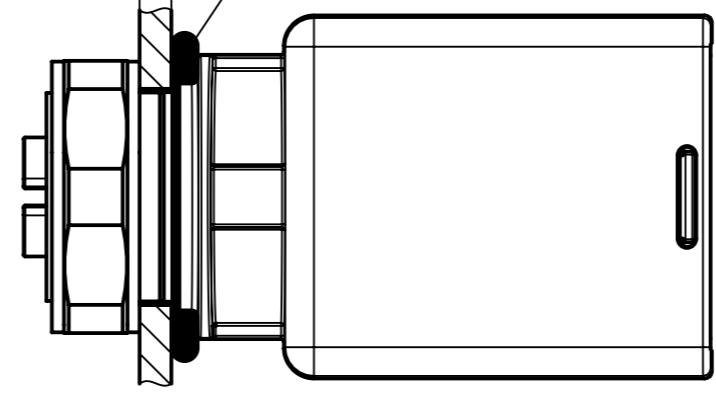
C

D

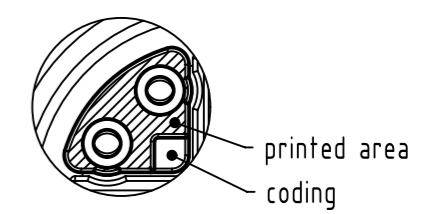
E

F

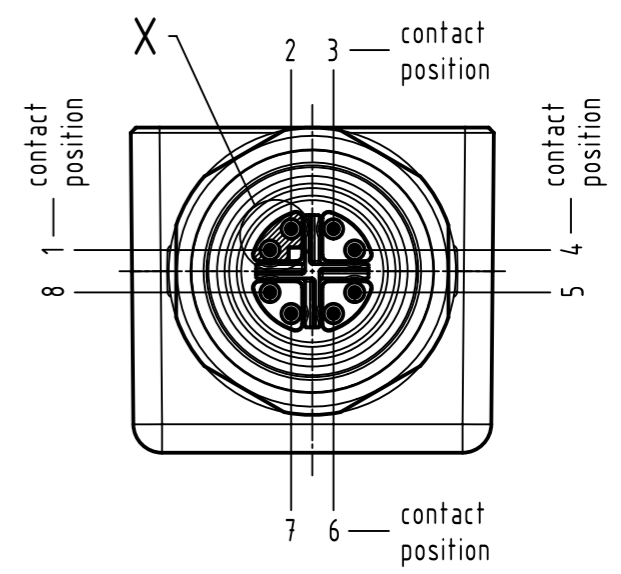
wall thickness 2,1-4,5
seal compressed



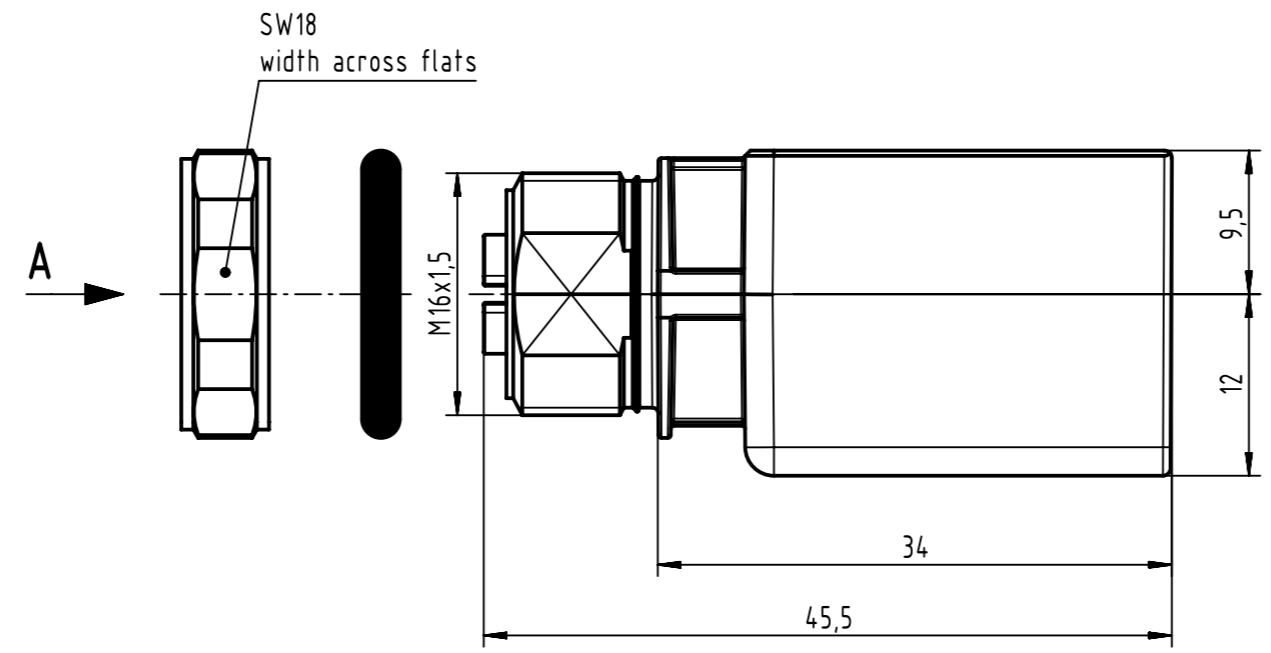
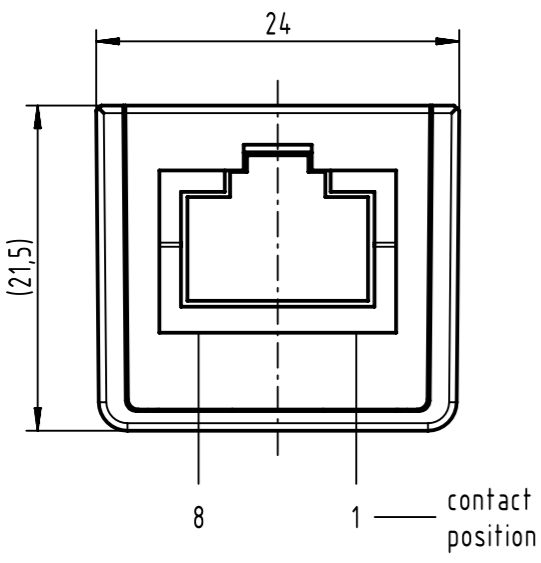
X (5:1)



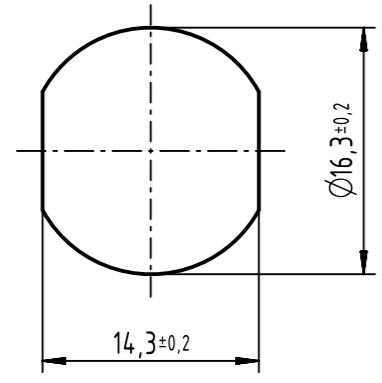
contact face acc. to IEC 61076-2-109



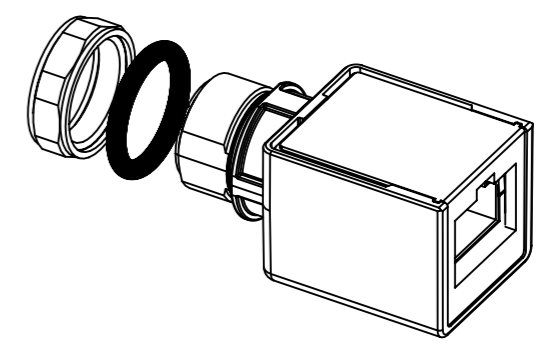
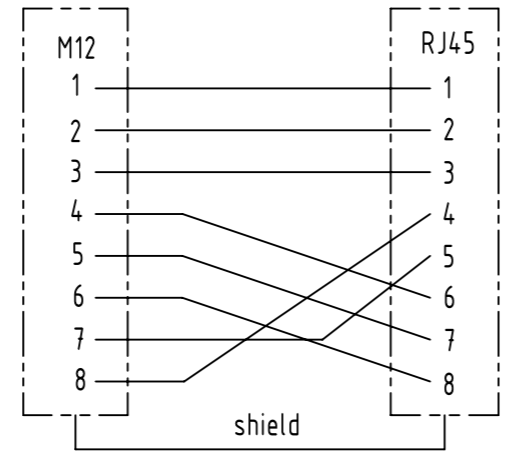
mating face acc. to IEC 60603-7



A
panel cut-out



circuit diagram



	All rights reserved		Created by HASSEBROCKS		Inspected by EISFELD		Standardisation 302077		Date 2021-02-25		State Final Release	
	Department EL PD		Title har-speed adapter M12-RJ45, straight		Type TB		Number 21033812800		Doc-Key / ECM-Nr. 100230266/UGD/007/K 500000189929		Rev. K Page 1/1	
		All Dimensions in mm Original Size DIN A3		Scale 2:1		Free size tol.		Ref.		Sub.		
HARTING D-32339 Espelkamp												

1 2 3 4 5 6 7 8

A3