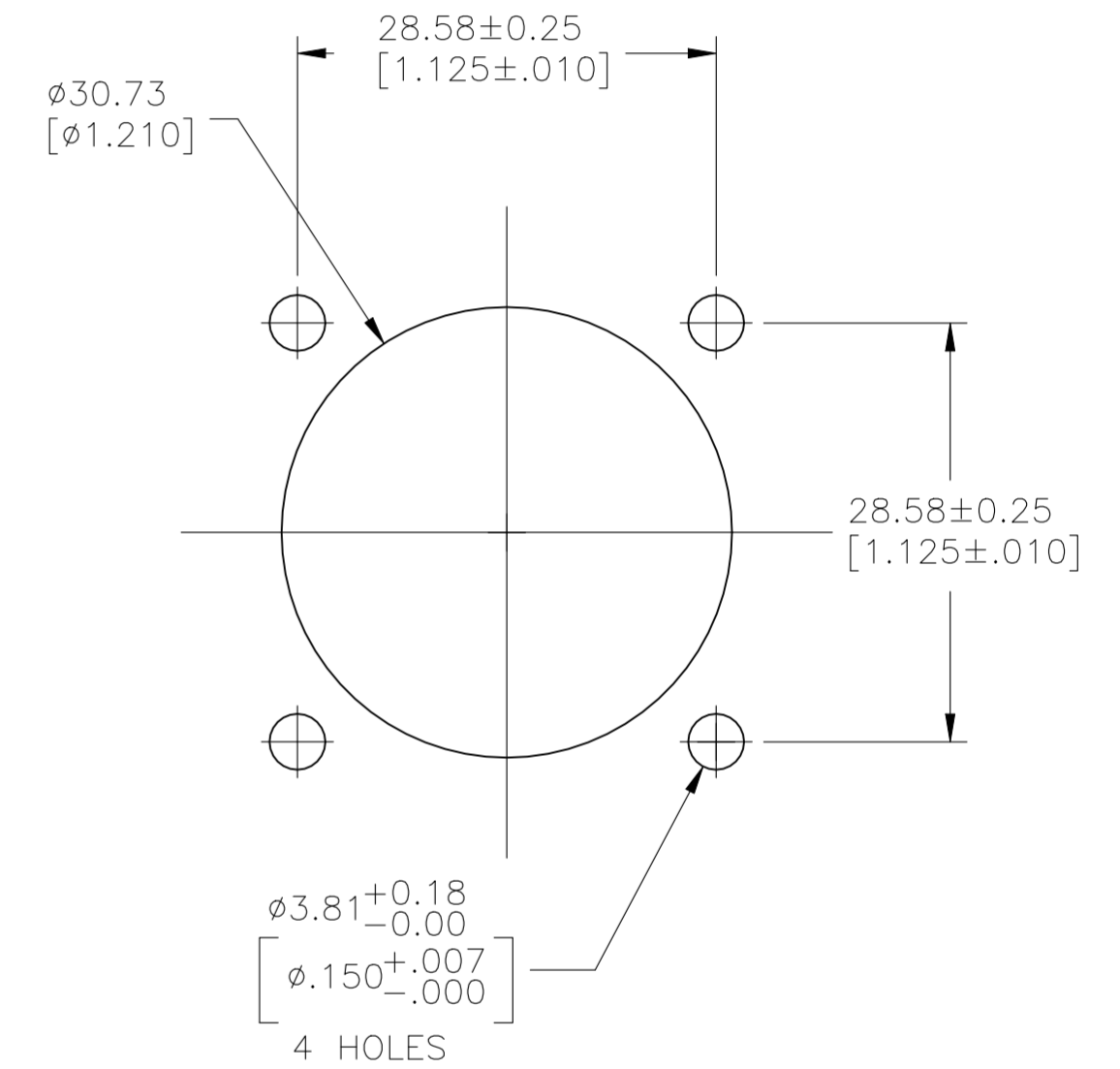
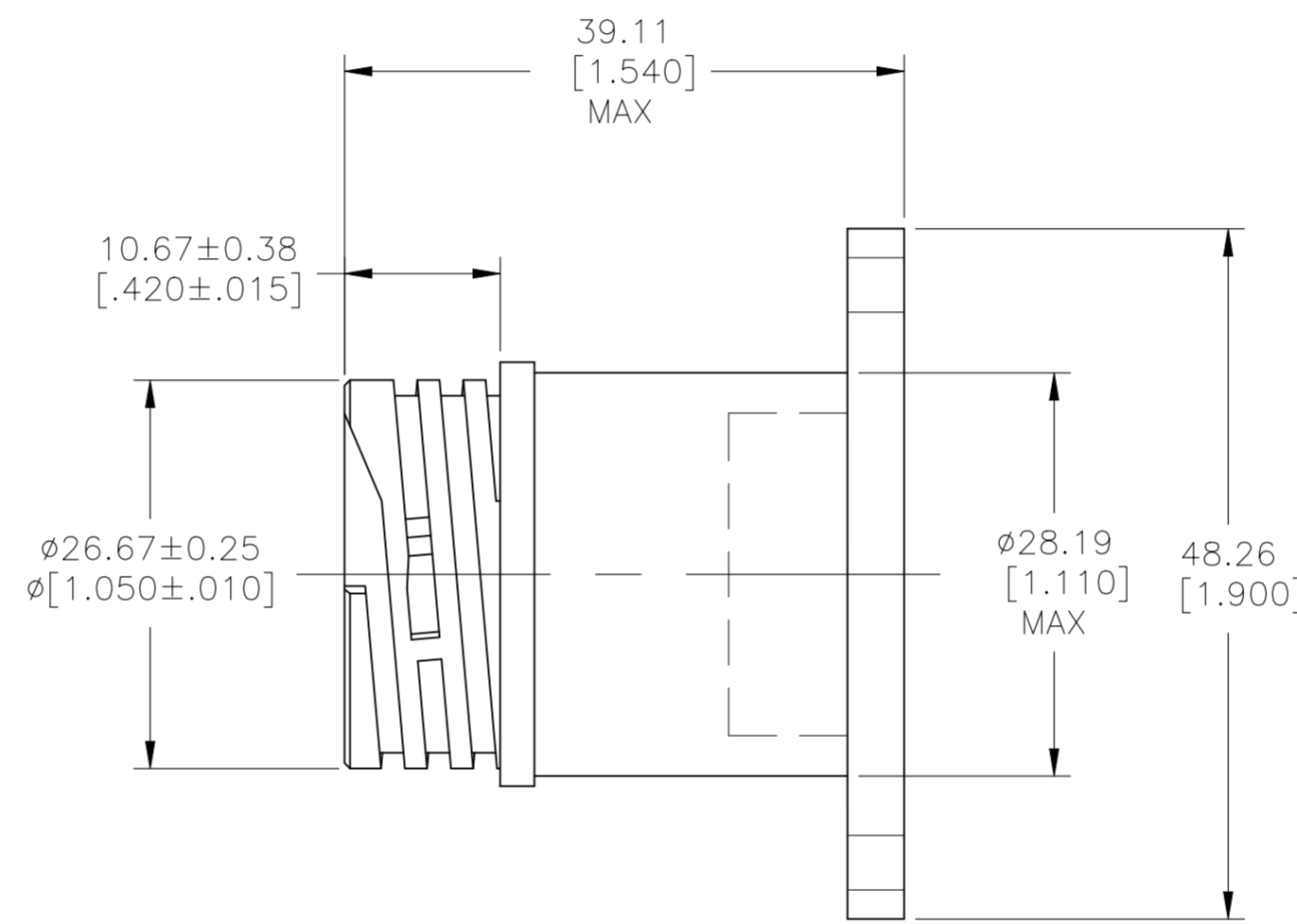
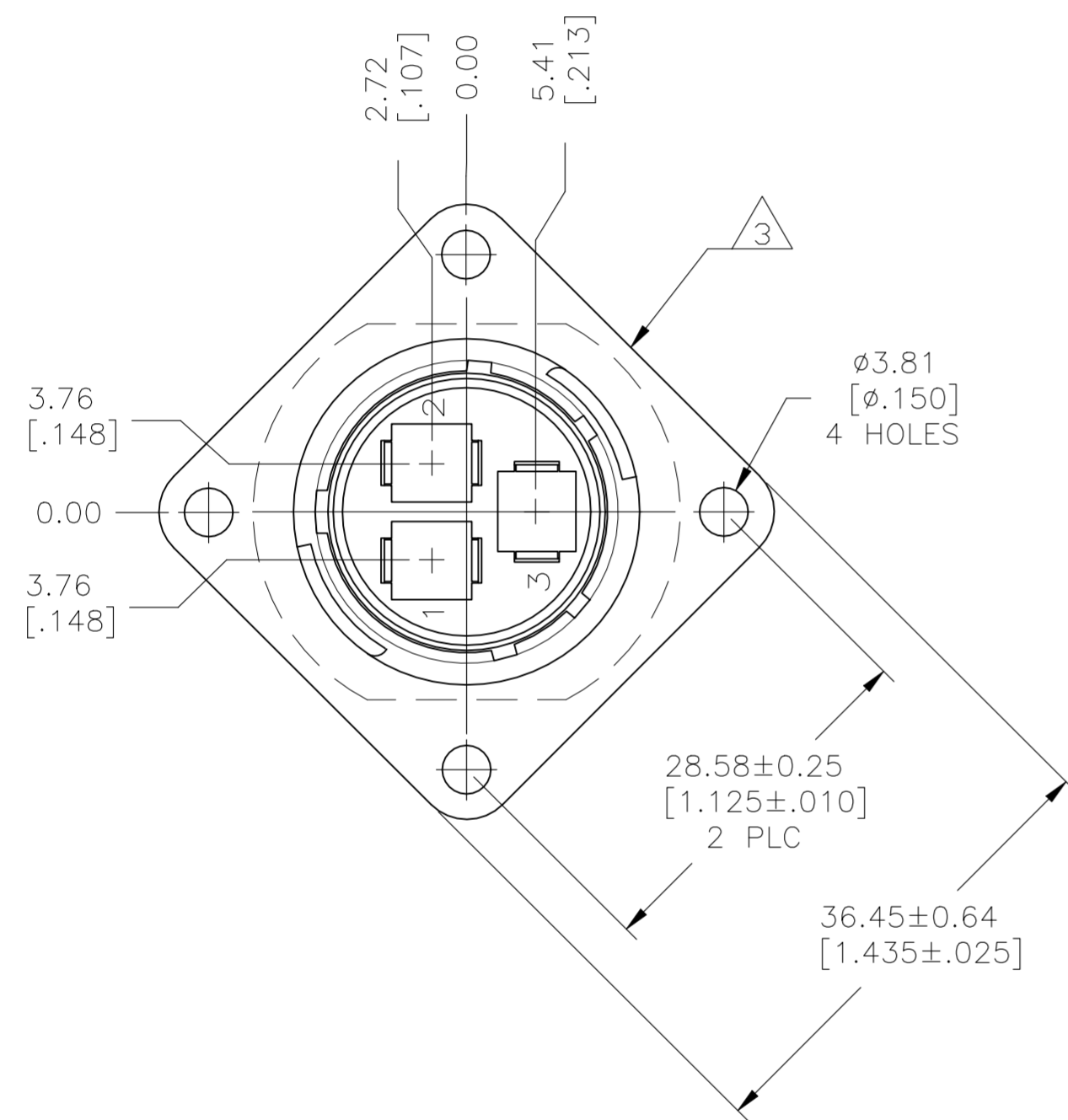


REVISIONS					
P	LTR	DESCRIPTION	DATE	DWN	APVD
B		REVISED PER ECO-21-005577	06MAY2021	RK	MZ

- 1 CAVITY IDENTIFICATION ON FRONT AND REAR FACE.
- 2 WILL ACCEPT THREE (3) TYPE XII PIN CONTACTS.
- △ TE LOGO AND PART NUMBER LOCATED ON ANY FLANGE EDGE



1986519-1
PART NO

THIS DRAWING IS A CONTROLLED DOCUMENT.		DWN 12FEB09 RAGHAVENDRA																						
DIMENSIONS: mm [INCHES]		CHK 12FEB09 SARVER MICHAEL																						
TOLERANCES UNLESS OTHERWISE SPECIFIED:		APVD 12FEB09 SARVER MICHAEL	NAME EXTENDED CPC RECEPTACLE ASSY SIZE 17-3																					
<table border="1"> <tr><td>0 PLC</td><td>±</td><td>-</td></tr> <tr><td>1 PLC</td><td>±</td><td>-</td></tr> <tr><td>2 PLC</td><td>±</td><td>0.13 [.005]</td></tr> <tr><td>3 PLC</td><td>±</td><td>-</td></tr> <tr><td>4 PLC</td><td>±</td><td>-</td></tr> <tr><td>ANGLES</td><td>±</td><td>-</td></tr> </table>		0 PLC	±	-	1 PLC	±	-	2 PLC	±	0.13 [.005]	3 PLC	±	-	4 PLC	±	-	ANGLES	±	-	PRODUCT SPEC -	SIZE A2	CAGE CODE 00779	DRAWING NO C=1986519	RESTRICTED TO -
0 PLC	±	-																						
1 PLC	±	-																						
2 PLC	±	0.13 [.005]																						
3 PLC	±	-																						
4 PLC	±	-																						
ANGLES	±	-																						
MATERIAL NYLON, BLACK	FINISH -	WEIGHT -	SCALE 2:1		SHEET 1 of 1	REV B																		
CUSTOMER DRAWING																								