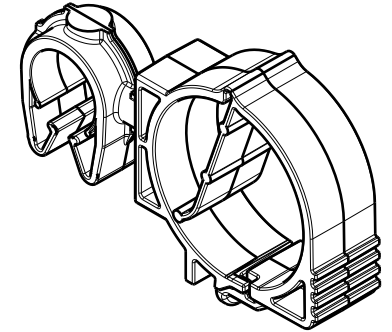
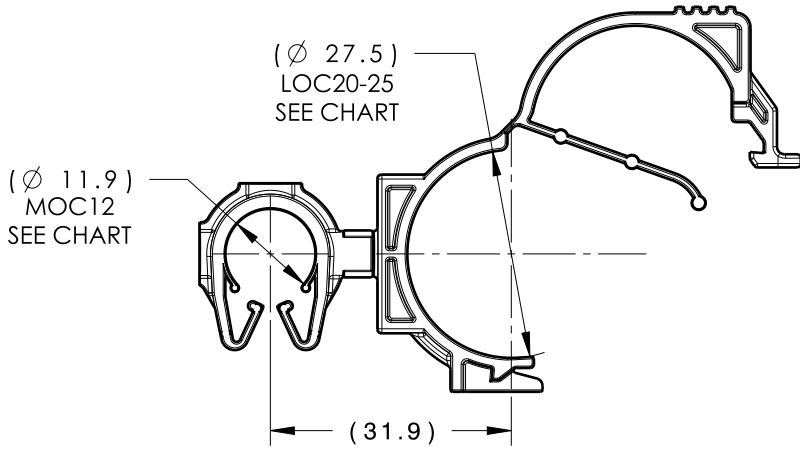
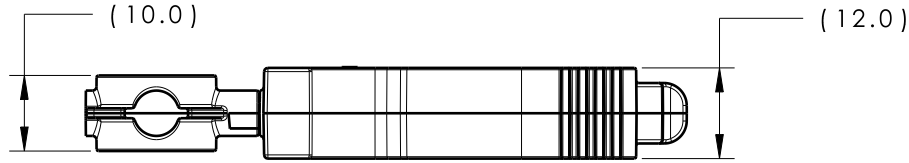
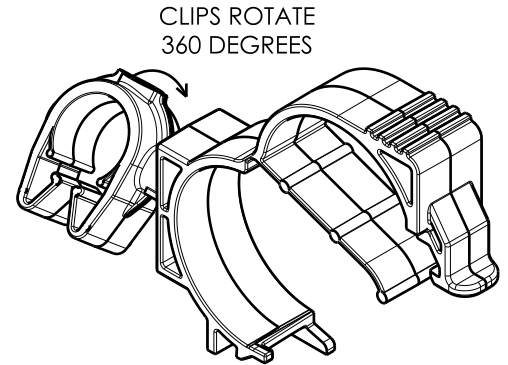


Revision Level			Revision Record	Changed	Date	Approved	Date
Drawing	State	Part					
03.1	Design Release	-	SEE ECN# 015045	TAT	4/3/2019	EJH	4/3/2019



ISOMETRIC VIEW CLOSED



ISOMETRIC VIEW OPEN

TYPE	MOC12F
HARNESS	11.5MM-13.0MM
HOSE	10.5MM-13.0MM
HARD PIPE/TUBE	12.0MM-13.8MM

*RECOMMENDED SIZES MAY DIFFER DEPENDING ON THE APPLICATION , PRODUCT REQUIREMENTS AND MATERIALS USED

**PATENT PENDING 29/582,271



GLOBAL PART DESCRIPTION	MOC12**			LOC 20-25		
	DRAWING	MATERIAL	COLOR	DRAWING	MATERIAL	COLOR
MOC12FLOC20-25-PA66HIRHSUV-BK	16-0319-000-CSU	PA66HIRHSUV	BLACK	12-0631-051-CSU	PA66HIRHSUV	BLACK

Material SEE CHART COLOR: SEE CHART	Units	millimeters	The copyright of this drawing is reserved by HellermannTyton. It is issued on condition that it is not reproduced, copied or disclosed to a third party, either wholly or in part, without the consent of HellermannTyton.	Drawn	TAT	5/15/17	Article/Type-No	MOC12FLOC20-25 	Scale	1:1	
	Tolerance defined on each dimension	Approved		EJH	5/15/17	Title		12MM MOC COUPLED TO 20-25MM LOC	Project Number	16-0327	
		HellermannTyton			Drawing-No		PRODUCTION : Phase	Format		AH	
							North America Email: corp@htamericas.com Web: www.hellermann.tyton.com			16-0327-124-CSU 	Sheet