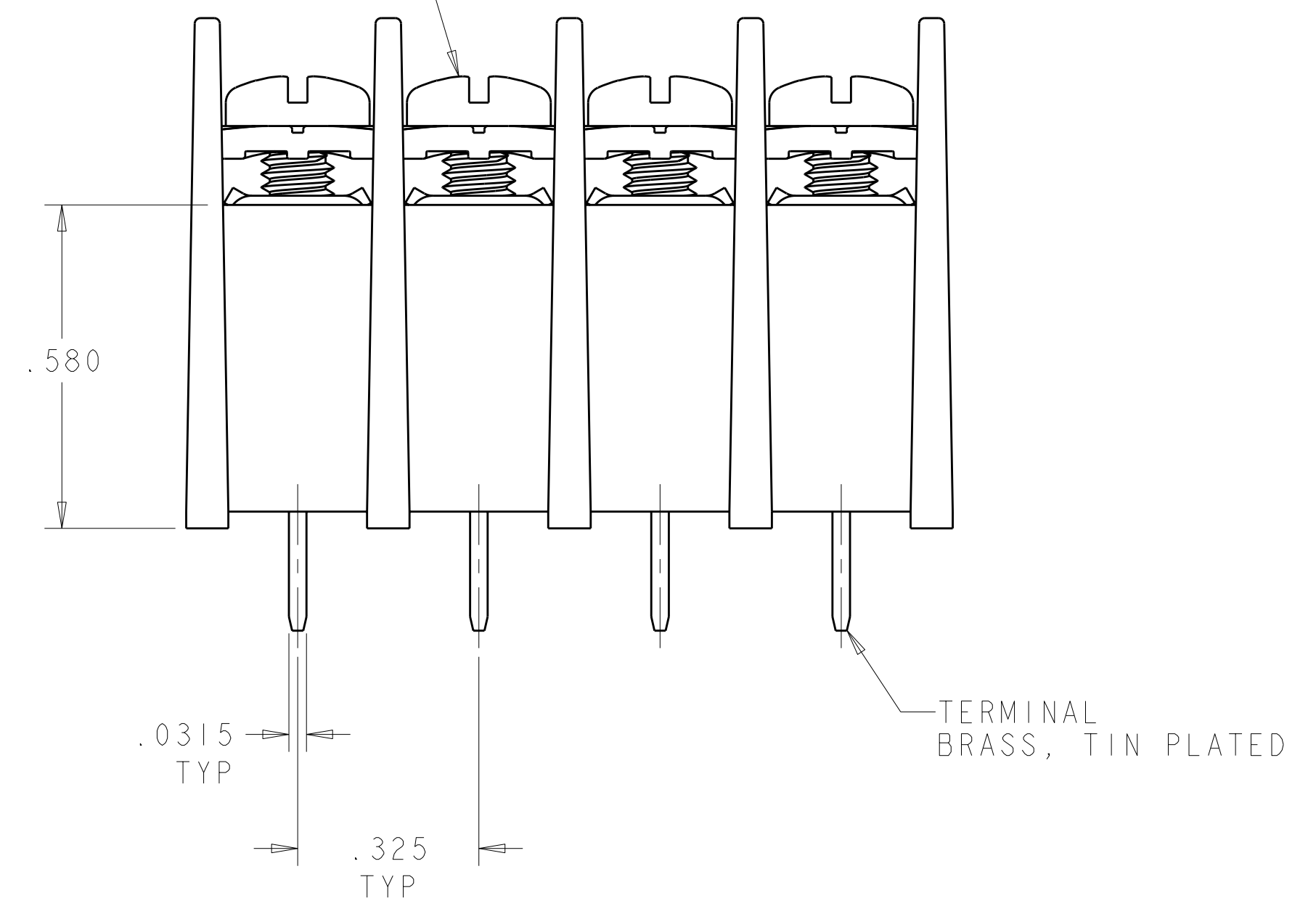


LOC	DIST	REV	DATE	BY	APPD
FT	0	B1	06MAY2010	HMR	CR

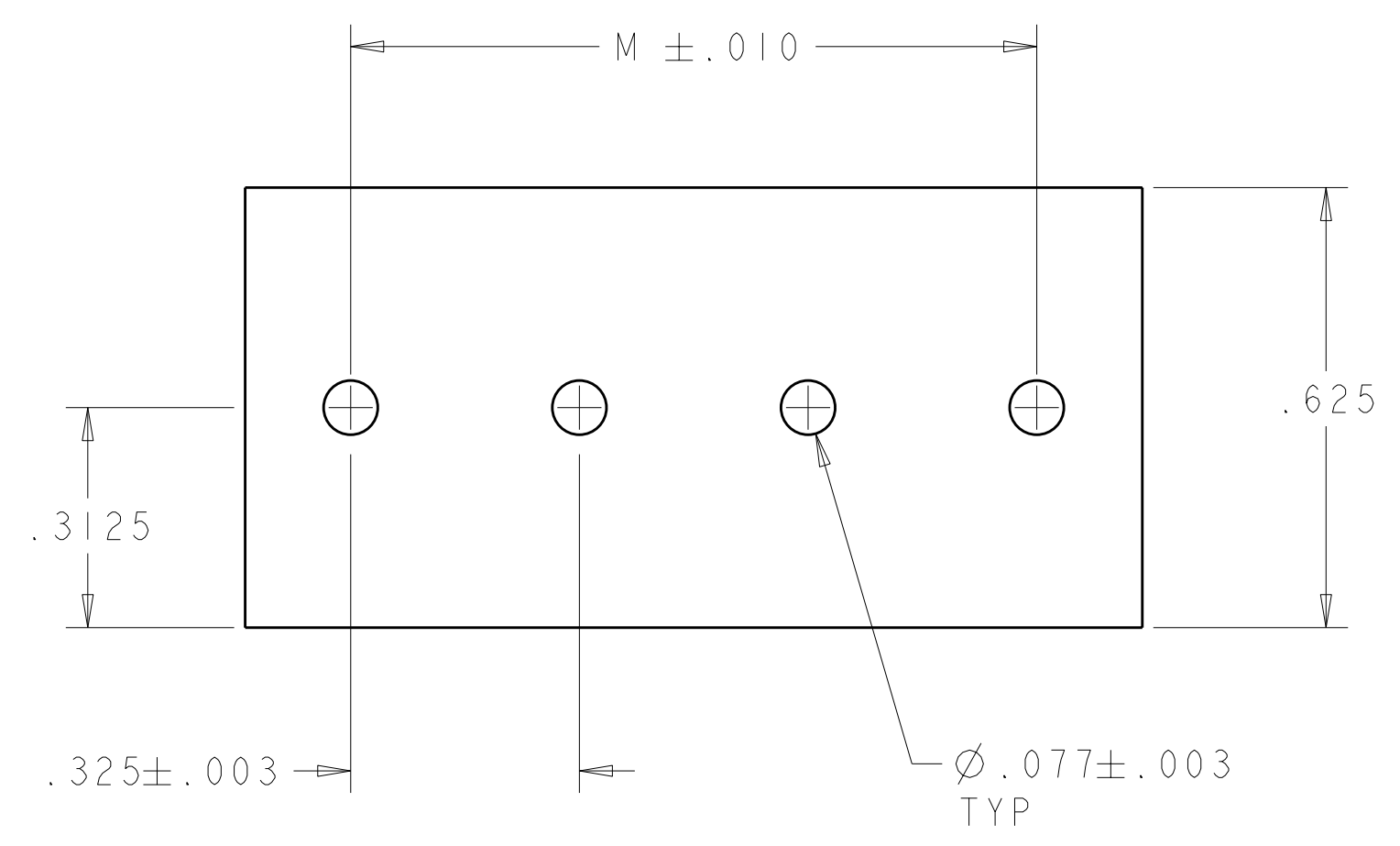


1. ELECTRICAL RATINGS: 300V, 20A
 WIRE RANGE: 12-22 AWG
 RECOMMENDED TIGHTENING TORQUE: 10 IN LBS
 OPERATING TEMPERATURE: 105° MAX
 ⚠ TYCO ELECTRONICS LOGO LOCATED IN APPROXIMATE AREA SHOWN

6-32 SEMS SCREW, CAPTIVATED,
 STEEL, ZINC PLATED CLEAR CHROMATE



HOUSING
 NYLON, BLACK,
 UL 94 V-0 RATED



RECOMMENDED PC BOARD LAYOUT

M	L	NO OF POSN	PART NUMBER
4.875	5.275	16	1-1546734-6
4.550	4.950	15	1-1546734-5
4.225	4.625	14	1-1546734-4
3.900	4.300	13	1-1546734-3
3.575	3.975	12	1-1546734-2
3.250	3.650	11	1-1546734-1
2.925	3.325	10	1-1546734-0
2.600	3.000	9	1546734-9
2.275	2.675	8	1546734-8
1.950	2.350	7	1546734-7
1.625	2.025	6	1546734-6
1.300	1.700	5	1546734-5
.975	1.375	4	1546734-4
.650	1.050	3	1546734-3
.325	.725	2	1546734-2

DIMENSIONS: INCHES TOLERANCES UNLESS OTHERWISE SPECIFIED: 9 PLC ±.1 8 PLC ±0.1 7 PLC ±0.02 6 PLC ±0.005 5 PLC ±0.005 4 PLC ±0.005 ANGLES ±.1		DWN S. WELDON 11SEP2003 CHK S. YODER 11SEP2003 APVD S. YODER 11SEP2003 PRODUCT SPEC APPLICATION SPEC WEIGHT CUSTOMER DRAWING		Tyco Electronics Harrisburg, PA 17105-3608 NAME: DUAL BARRIER STRIP ASSEMBLY, .325 PITCH, PCB MOUNT, HIGH RISE SIZE: A1 CAGE CODE: 00779 DRAWING NO: C=1546734 SCALE: 4:1 SHEET: 1 OF 1 REV: B1	
--	--	--	--	---	--