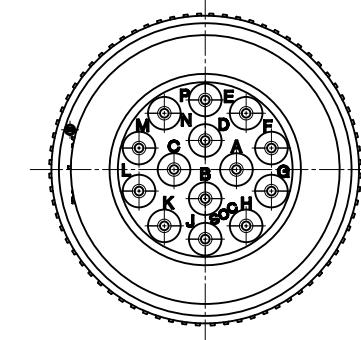
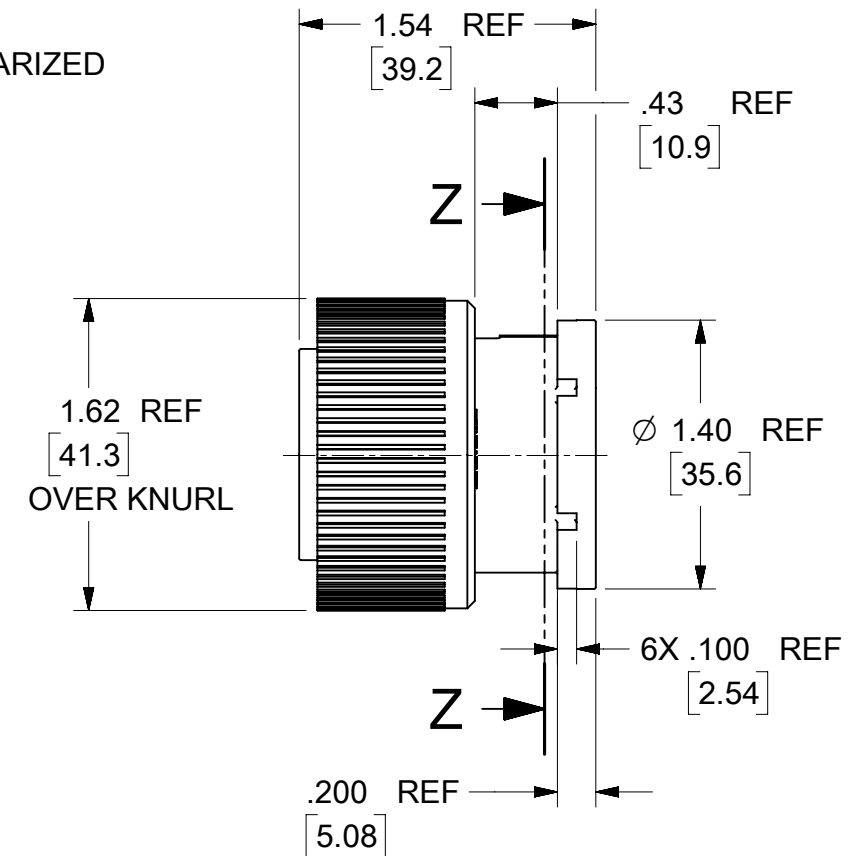
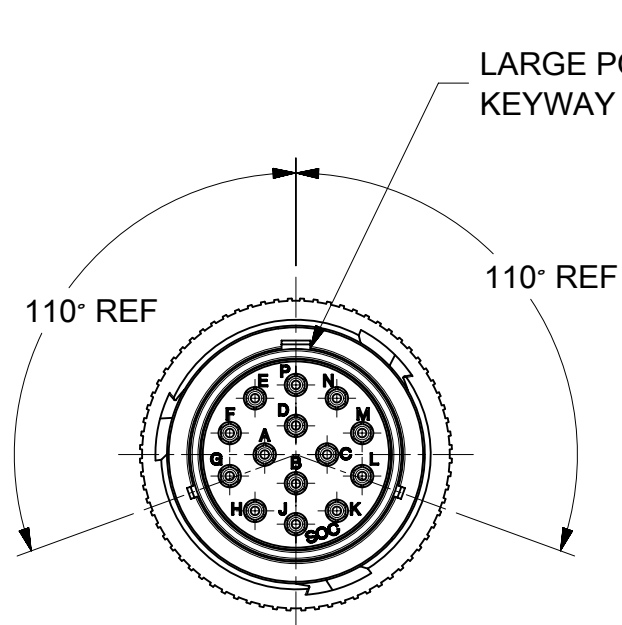
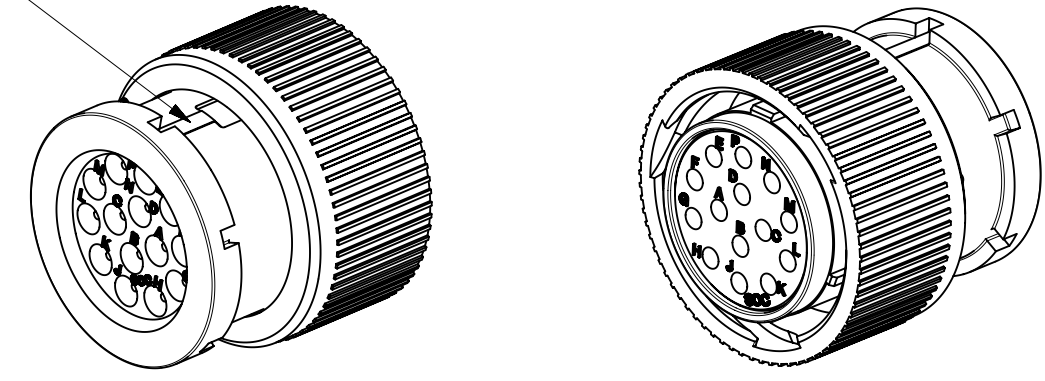
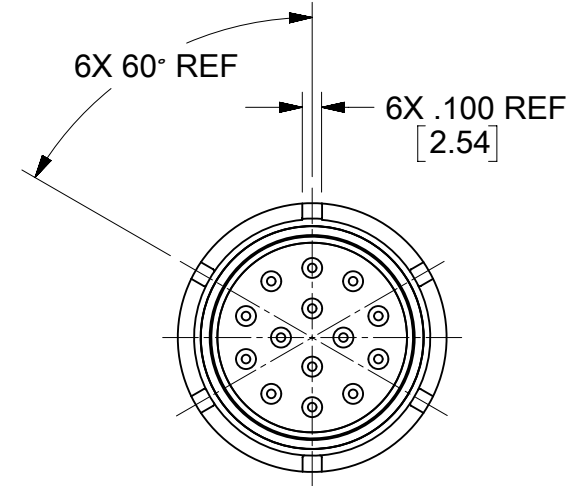


MATERIAL NUMBER	WIRE AWG	INSUL DIA O.D.
845070012	18-14	.053[1.35] - .134[3.40]

LARGE POLARIZING KEY INDICATOR



WIRE ENTRY VIEW



SECTION Z-Z

- NOTES:
1. MATERIALS:
HOUSINGS: POLYESTER (PBT), GLASS FILLED, UL94V-0 & POLYETHERIMIDE (PEI), UNFILLED, UL94V-0.
COLOR, UNLESS OTHERWISE SPECIFIED: BLACK
SEALS: SILICONE RUBBER
COLOR: RUST RED
 2. PRODUCT SPECIFICATION: PS-84501-001.
 3. MATES WITH: SERIES 84502 RECEPTACLE CONNECTOR.
 4. USE CONNECTOR WITH FEMALE CRIMP TERMINAL SERIES 84525.
 5. ALL COMPONENTS ARE ROHS COMPLIANT.

QUALITY SYMBOLS 	THIS DRAWING CONTAINS INFORMATION THAT IS PROPRIETARY TO MOLEX ELECTRONIC TECHNOLOGIES, LLC AND SHOULD NOT BE USED WITHOUT WRITTEN PERMISSION										
	CAD MIGRATION EC NO: 120775 DRWN: CRAODOREMS CHK'D: SMCGREEVY REV APPR: JDWALLACE	GENERAL TOLERANCES (UNLESS SPECIFIED)		DIMENSION UNITS IN[MM]		SCALE 1:1					
		MM	INCH	DRWN BY		DATE					
		4 PLACES ±	±	DMYRICK		2006/6/26					
3 PLACES ±	± 0.015	CHK'D BY		DATE		PLUG CONNECTOR ASSEMBLY, 18-14 POS SOCKET TERMINALS					
2 PLACES ± 0.38	± 0.02	JPAWLICKI		2006/6/26							
1 PLACES ± 0.5	±	APPR BY		DATE		PRODUCT CUSTOMER DRAWING					
0 PLACES ±	±	JPAWLICKI		2006/6/26							
ANGULAR TOL ± 1.0	DRAWING SIZE		THIRD ANGLE PROJECTION		SERIES		MATERIAL NUMBER		CUSTOMER		
DRAFT WHERE APPLICABLE MUST REMAIN WITHIN DIMENSIONS	B				84507		SEE CHART		GENERAL MARKET		
					DOCUMENT NUMBER		DOC TYPE		DOC PART	SHEET NUMBER	
					SD-84507-002		PSD		001	1 OF 1	

RELEASE STATUS	P1	RELEASE DATE	24.08.2017	10:27:21
----------------	----	--------------	------------	----------