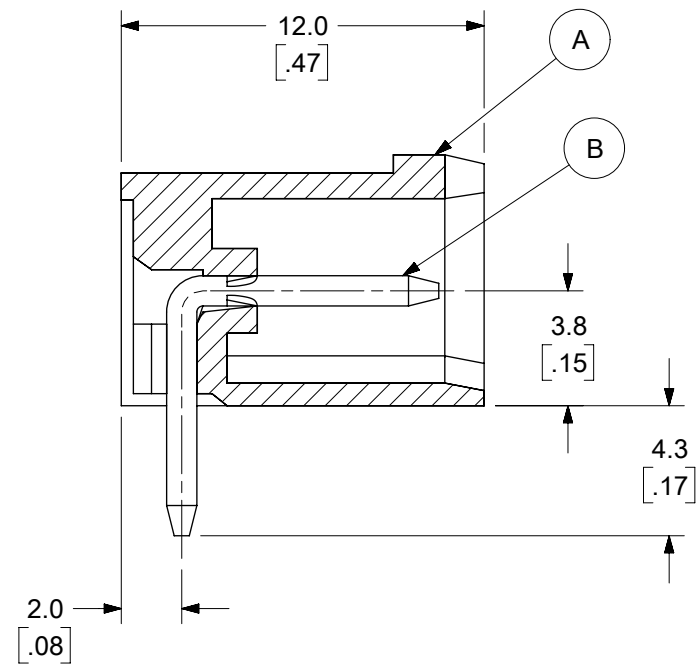
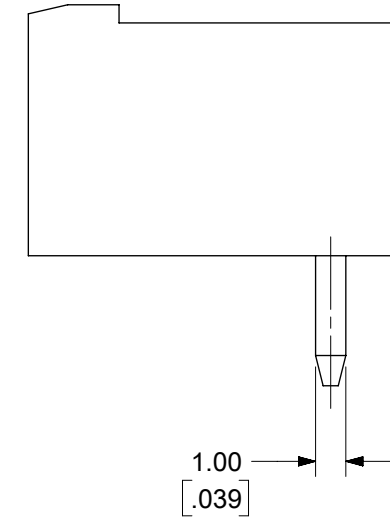
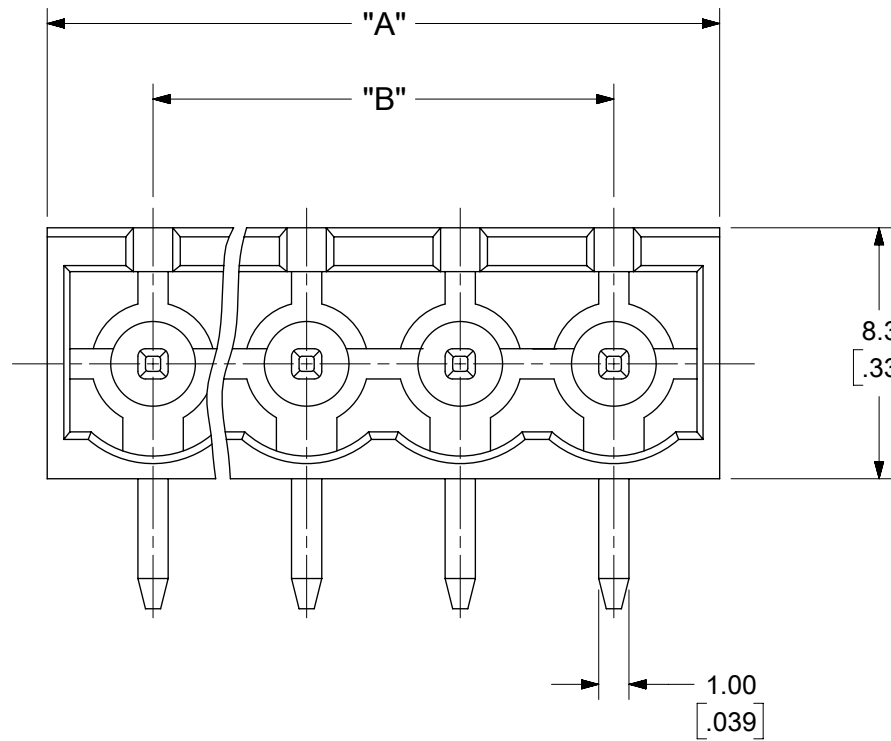
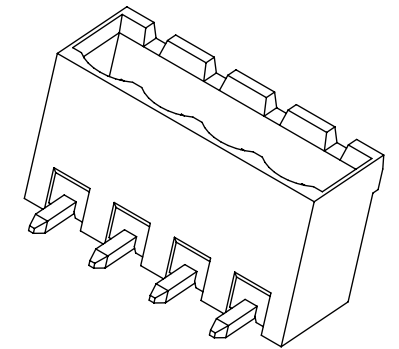
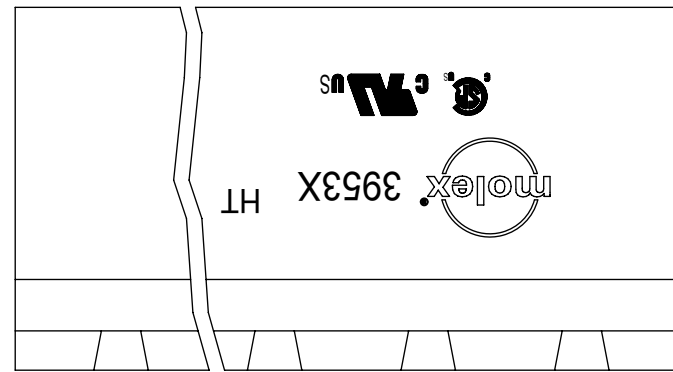


PCB LAYOUT



SPECIFICATIONS:

1. MATERIAL:

(A). BODY: PA46 (UL94-V0)

(B). PIN MATERIAL: BRASS

PIN FINISH:

TIN - 3 µm (118 µin) MIN MATTE TIN

OVER 2 µm (79 µin) MIN NICKEL

GOLD - 0.76 µm (30 µin) MIN GOLD IN

CONTACT AREA, 3 µm (118 µin) MIN

MATTE TIN IN SOLDER AREA.

2 µm (79 µin) MIN NICKEL UNDERPLATE

2. ELECTRICAL RATING: 300V, 18A (PER UL)

3. OPERATING TEMPERATURE: -40°C to +115°C.

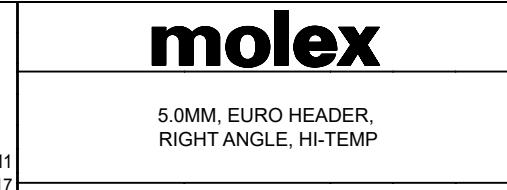
4. INSULATION RESISTANCE: DC 500V, 500MΩ.

5. DIELECTRIC WITHSTAND: AC 2500V FOR 1 MINUTE.

6. BREAKDOWN VOLTAGE : 4000V.

TOLERANCES			
MM	TOL	INCH	TOL
0-6	±0.25	0-.24	±.010
>6-30	±0.40	.24-1.18	±.016
>30-120	±0.50	1.18-4.76	±.020
>120	±0.80	>4.76	±.031

THIS DRAWING CONTAINS INFORMATION THAT IS PROPRIETARY TO MOLEX ELECTRONIC TECHNOLOGIES, LLC AND SHOULD NOT BE USED WITHOUT WRITTEN PERMISSION											
FUNCTIONAL SYMBOLS		DIMENSION UNITS		SCALE		CURRENT REV DESC: MODIFIED SPECIFICATIONS					
FA = 0		MM/INCH		4:1		EC NO: 735568 DRWN: ABENJAMINLW 2023/01/11 CHKD: DACHAMMER 2023/01/17 APPR: JFMURPHY 2023/01/27 INITIAL REVISION: DRWN: LROTHAUS 2006/01/09 APPR: JPAWLICK 2006/01/10					
FE = 0		GENERAL TOLERANCES (UNLESS SPECIFIED)									
FD = 0		MM		INCH							
DIVISIONAL SYMBOLS		4 PLACES ± --- ± ---		3 PLACES ± --- ± SEE CHART							
		2 PLACES ± SEE CHART ± SEE CHART		1 PLACE ± SEE CHART ± ---		DOCUMENT NUMBER		DOC TYPE		DOC PART	
		0 PLACES ± --- ± ---		ANGULAR TOL ± ---		SD-39522-001		PSD		001	
		DRAFT WHERE APPLICABLE MUST REMAIN WITHIN DIMENSIONS		THIRD ANGLE PROJECTION		SERIES		MATERIAL NUMBER		CUSTOMER	
				B-SIZE		39522		SEE SHEET-2		GENERAL MARKET	
						SHEET NUMBER				1 OF 2	



DOCUMENT STATUS	P1	RELEASE DATE	2023/01/27	16:26:22
-----------------	----	--------------	------------	----------

	10	9	8	7	6	5	4	3	2	1																																																							
F			MATERIAL NUMBERS					DIMENSIONAL INFORMATION				F																																																					
			BLACK																																																														
			100% TIN		30 u" GOLD																																																												
		CIRCUIT SIZE	PRINTING OPTIONS			PRINTING OPTIONS			DIM. "A"		DIM. "B"																																																						
	DESCRIPTION		None	10A	11A	None	10A	11A	mm	inch	mm	inch																																																					
E	5.0MM, EURO HEADER, RIGHT ANGLE, HIGH TEMP	2	395224002	395224102	395224202	395224502	395224602	395224702	12.00	.472	5.00	.197																																																					
	5.0MM, EURO HEADER, RIGHT ANGLE, HIGH TEMP	3	395224003	395224103	395224203	395224503	395224603	395224703	17.00	.669	10.00	.394																																																					
	5.0MM, EURO HEADER, RIGHT ANGLE, HIGH TEMP	4	395224004	395224104	395224204	395224504	395224604	395224704	22.00	.866	15.00	.591																																																					
	5.0MM, EURO HEADER, RIGHT ANGLE, HIGH TEMP	5	395224005	395224105	395224205	395224505	395224605	395224705	27.00	1.063	20.00	.787																																																					
	5.0MM, EURO HEADER, RIGHT ANGLE, HIGH TEMP	6	395224006	395224106	395224206	395224506	395224606	395224706	32.00	1.260	25.00	.984																																																					
	5.0MM, EURO HEADER, RIGHT ANGLE, HIGH TEMP	7	395224007	395224107	395224207	395224507	395224607	395224707	37.00	1.457	30.00	1.181																																																					
	5.0MM, EURO HEADER, RIGHT ANGLE, HIGH TEMP	8	395224008	395224108	395224208	395224508	395224608	395224708	42.00	1.654	35.00	1.378																																																					
	5.0MM, EURO HEADER, RIGHT ANGLE, HIGH TEMP	9	395224009	395224109	395224209	395224509	395224609	395224709	47.00	1.850	40.00	1.575																																																					
D	5.0MM, EURO HEADER, RIGHT ANGLE, HIGH TEMP	10	395224010	395224110	395224210	395224510	395224610	395224710	52.00	2.047	45.00	1.772																																																					
	5.0MM, EURO HEADER, RIGHT ANGLE, HIGH TEMP	11	395224011	395224111	395224211	395224511	395224611	395224711	57.00	2.244	50.00	1.969																																																					
	5.0MM, EURO HEADER, RIGHT ANGLE, HIGH TEMP	12	395224012	395224112	395224212	395224512	395224612	395224712	62.00	2.441	55.00	2.165																																																					
	5.0MM, EURO HEADER, RIGHT ANGLE, HIGH TEMP	13	395224013	395224113	395224213	395224513	395224613	395224713	67.00	2.638	60.00	2.362																																																					
	5.0MM, EURO HEADER, RIGHT ANGLE, HIGH TEMP	14	395224014	395224114	395224214	395224514	395224614	395224714	72.00	2.835	65.00	2.559																																																					
	5.0MM, EURO HEADER, RIGHT ANGLE, HIGH TEMP	15	395224015	395224115	395224215	395224515	395224615	395224715	77.00	3.031	70.00	2.756																																																					
	5.0MM, EURO HEADER, RIGHT ANGLE, HIGH TEMP	16	395224016	395224116	395224216	395224516	395224616	395224716	82.00	3.228	75.00	2.953																																																					
	5.0MM, EURO HEADER, RIGHT ANGLE, HIGH TEMP	17	395224017	395224117	395224217	395224517	395224617	395224717	87.00	3.425	80.00	3.150																																																					
C	5.0MM, EURO HEADER, RIGHT ANGLE, HIGH TEMP	18	395224018	395224118	395224218	395224518	395224618	395224718	92.00	3.622	85.00	3.346																																																					
	5.0MM, EURO HEADER, RIGHT ANGLE, HIGH TEMP	19	395224019	395224119	395224219	395224519	395224619	395224719	97.00	3.819	90.00	3.543																																																					
	5.0MM, EURO HEADER, RIGHT ANGLE, HIGH TEMP	20	395224020	395224120	395224220	395224520	395224620	395224720	102.00	4.016	95.00	3.740																																																					
	5.0MM, EURO HEADER, RIGHT ANGLE, HIGH TEMP	21	395224021	395224121	395224221	395224521	395224621	395224721	107.00	4.213	100.00	3.937																																																					
	5.0MM, EURO HEADER, RIGHT ANGLE, HIGH TEMP	22	395224022	395224122	395224222	395224522	395224622	395224722	112.00	4.409	105.00	4.134																																																					
	5.0MM, EURO HEADER, RIGHT ANGLE, HIGH TEMP	23	395224023	395224123	395224223	395224523	395224623	395224723	117.00	4.606	110.00	4.331																																																					
B	5.0MM, EURO HEADER, RIGHT ANGLE, HIGH TEMP	24	395224024	395224124	395224224	395224524	395224624	395224724	122.00	4.803	115.00	4.528																																																					
	<table border="1"> <tr> <td>FUNCTIONAL SYMBOLS</td> <td colspan="2">THIS DRAWING CONTAINS INFORMATION THAT IS PROPRIETARY TO MOLEX ELECTRONIC TECHNOLOGIES, LLC AND SHOULD NOT BE USED WITHOUT WRITTEN PERMISSION</td> </tr> <tr> <td>$\frac{E}{A} = 0$</td> <td>DIMENSION UNITS</td> <td>SCALE</td> </tr> <tr> <td>$\frac{E}{E} = 0$</td> <td>MM/INCH</td> <td>4:1</td> </tr> <tr> <td>$\frac{E}{V} = 0$</td> <td colspan="2">GENERAL TOLERANCES (UNLESS SPECIFIED)</td> </tr> <tr> <td></td> <td>MM</td> <td>INCH</td> </tr> <tr> <td></td> <td>4 PLACES ± --- ± ---</td> <td>SEE CHART</td> </tr> <tr> <td></td> <td>3 PLACES ± --- ± ---</td> <td>SEE CHART</td> </tr> <tr> <td></td> <td>2 PLACES ± --- ± ---</td> <td>SEE CHART</td> </tr> <tr> <td></td> <td>1 PLACE ± --- ± ---</td> <td>SEE CHART</td> </tr> <tr> <td></td> <td>0 PLACES ± --- ± ---</td> <td>SEE CHART</td> </tr> <tr> <td></td> <td colspan="2">ANGULAR TOL ± ---</td> </tr> <tr> <td>DIVISIONAL SYMBOLS</td> <td colspan="2">DRAFT WHERE APPLICABLE MUST REMAIN WITHIN DIMENSIONS</td> </tr> <tr> <td></td> <td>THIRD ANGLE PROJECTION</td> <td>DRAWING</td> </tr> <tr> <td></td> <td></td> <td>B-SIZE</td> </tr> <tr> <td></td> <td>SERIES</td> <td>39522</td> </tr> <tr> <td></td> <td>MATERIAL NUMBER</td> <td>SEE CHART</td> </tr> <tr> <td></td> <td>CUSTOMER</td> <td>GENERAL MARKET</td> </tr> <tr> <td></td> <td>SHEET NUMBER</td> <td>2 OF 2</td> </tr> </table>											FUNCTIONAL SYMBOLS	THIS DRAWING CONTAINS INFORMATION THAT IS PROPRIETARY TO MOLEX ELECTRONIC TECHNOLOGIES, LLC AND SHOULD NOT BE USED WITHOUT WRITTEN PERMISSION		$\frac{E}{A} = 0$	DIMENSION UNITS	SCALE	$\frac{E}{E} = 0$	MM/INCH	4:1	$\frac{E}{V} = 0$	GENERAL TOLERANCES (UNLESS SPECIFIED)			MM	INCH		4 PLACES ± --- ± ---	SEE CHART		3 PLACES ± --- ± ---	SEE CHART		2 PLACES ± --- ± ---	SEE CHART		1 PLACE ± --- ± ---	SEE CHART		0 PLACES ± --- ± ---	SEE CHART		ANGULAR TOL ± ---		DIVISIONAL SYMBOLS	DRAFT WHERE APPLICABLE MUST REMAIN WITHIN DIMENSIONS			THIRD ANGLE PROJECTION	DRAWING			B-SIZE		SERIES	39522		MATERIAL NUMBER	SEE CHART		CUSTOMER	GENERAL MARKET		SHEET NUMBER	2 OF 2
FUNCTIONAL SYMBOLS	THIS DRAWING CONTAINS INFORMATION THAT IS PROPRIETARY TO MOLEX ELECTRONIC TECHNOLOGIES, LLC AND SHOULD NOT BE USED WITHOUT WRITTEN PERMISSION																																																																
$\frac{E}{A} = 0$	DIMENSION UNITS	SCALE																																																															
$\frac{E}{E} = 0$	MM/INCH	4:1																																																															
$\frac{E}{V} = 0$	GENERAL TOLERANCES (UNLESS SPECIFIED)																																																																
	MM	INCH																																																															
	4 PLACES ± --- ± ---	SEE CHART																																																															
	3 PLACES ± --- ± ---	SEE CHART																																																															
	2 PLACES ± --- ± ---	SEE CHART																																																															
	1 PLACE ± --- ± ---	SEE CHART																																																															
	0 PLACES ± --- ± ---	SEE CHART																																																															
	ANGULAR TOL ± ---																																																																
DIVISIONAL SYMBOLS	DRAFT WHERE APPLICABLE MUST REMAIN WITHIN DIMENSIONS																																																																
	THIRD ANGLE PROJECTION	DRAWING																																																															
		B-SIZE																																																															
	SERIES	39522																																																															
	MATERIAL NUMBER	SEE CHART																																																															
	CUSTOMER	GENERAL MARKET																																																															
	SHEET NUMBER	2 OF 2																																																															
A	DOCUMENT STATUS	P1	RELEASE DATE	2023/01/27	16:26:22							A																																																					
		9		8		7		6		5		4		3		2		1																																															