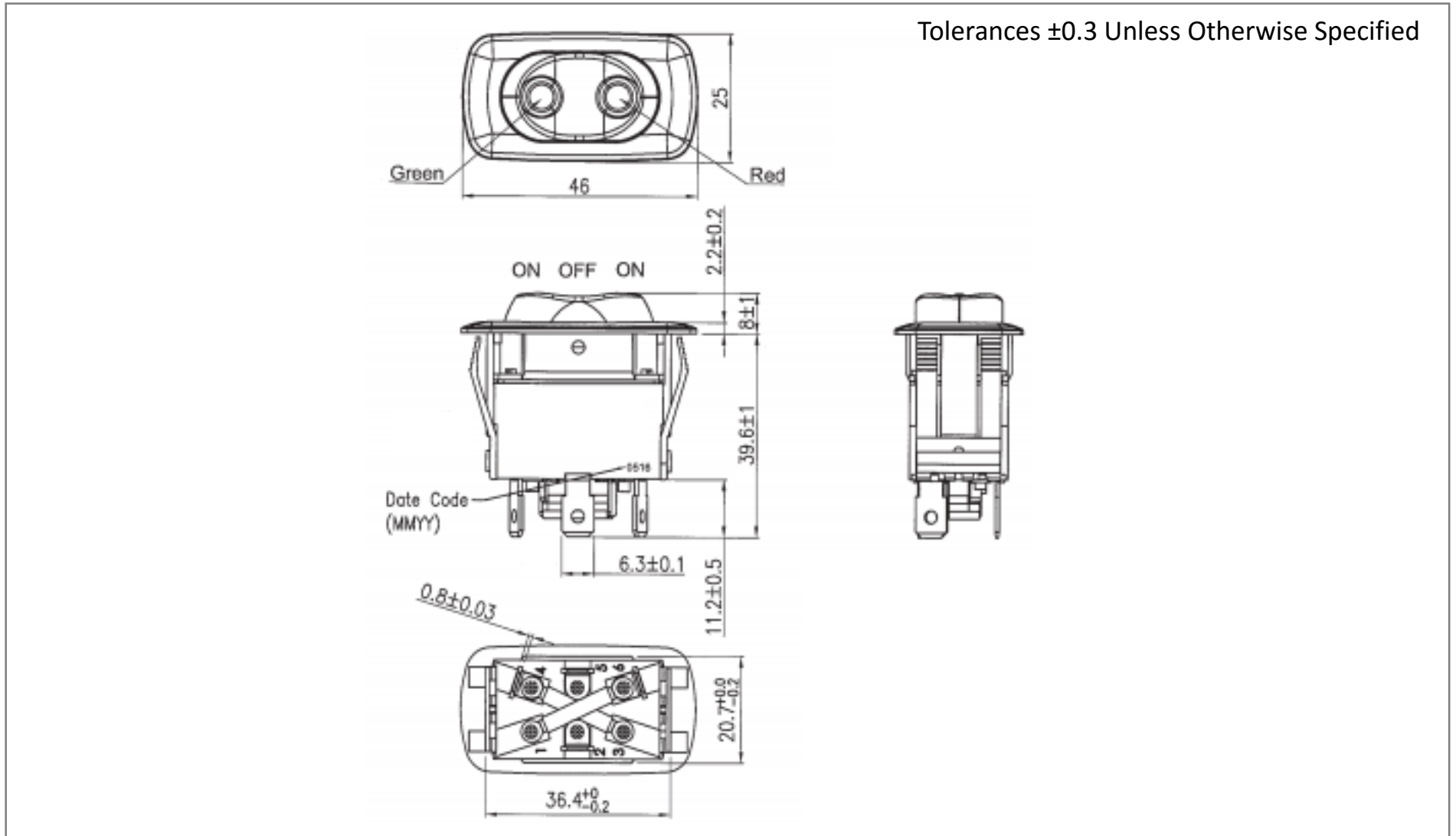
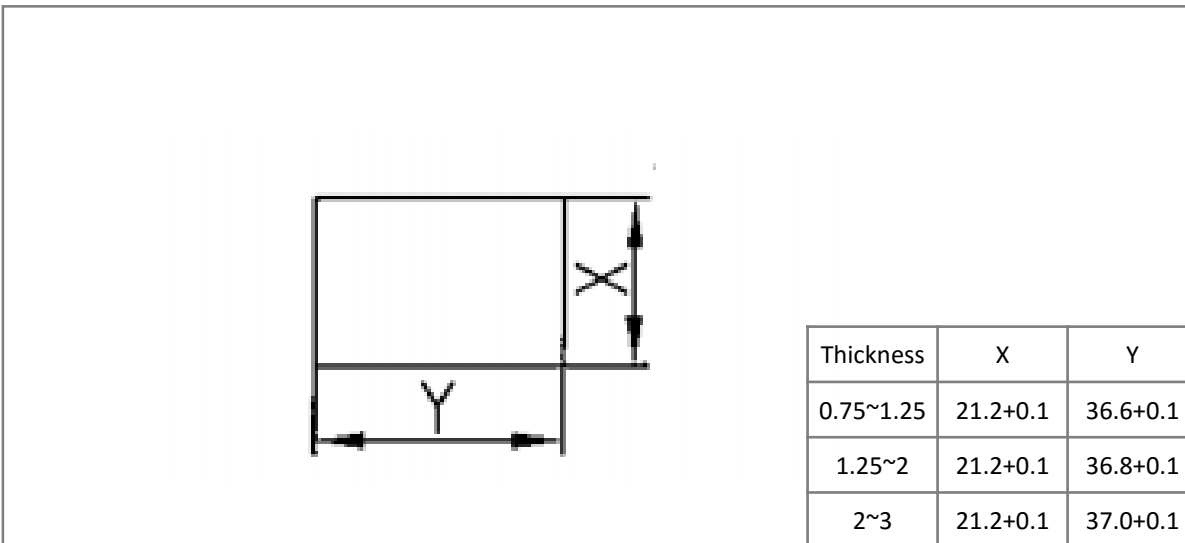


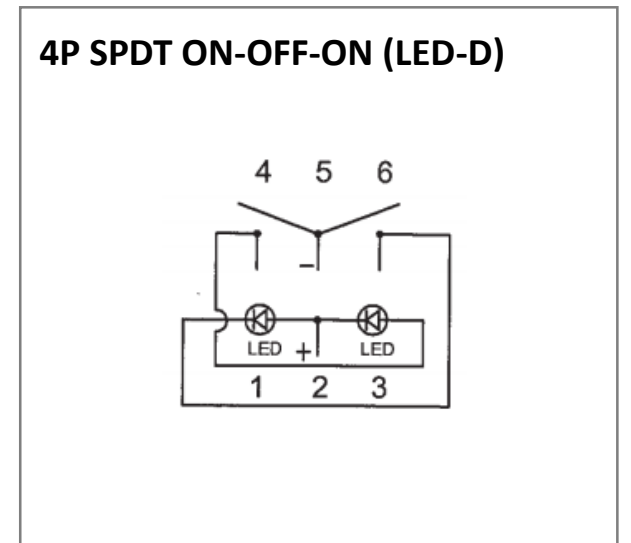
**Mechanical Dimensions (mm)**



**Mounting Hole**



**Circuit Diagram**



**Electrical Specifications**

|                              |                       |
|------------------------------|-----------------------|
| <b>Rating</b>                | 21A 14V DC            |
| <b>Contact Resistance</b>    | 50m ohm Max.          |
| <b>Insulation Resistance</b> | DC 500V 100M ohm Min. |
| <b>Dielectric Strength</b>   | AC 1500V 1 minute     |
| <b>Operation Temperature</b> | -20°C~85°C            |

**Material Specifications**

|                 |                               |
|-----------------|-------------------------------|
| <b>Frame</b>    | Black, Nylon 66               |
| <b>Actuator</b> | Black, Nylon 66               |
| <b>LED</b>      | Amber/Amber, LEDs (Dependent) |