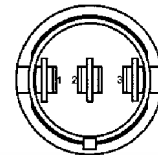
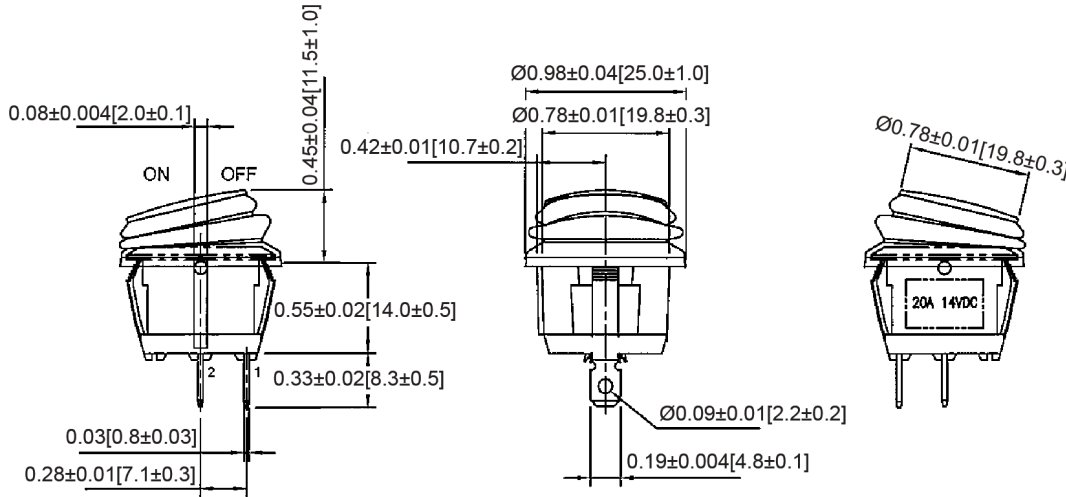
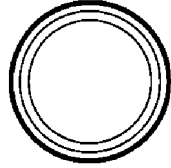
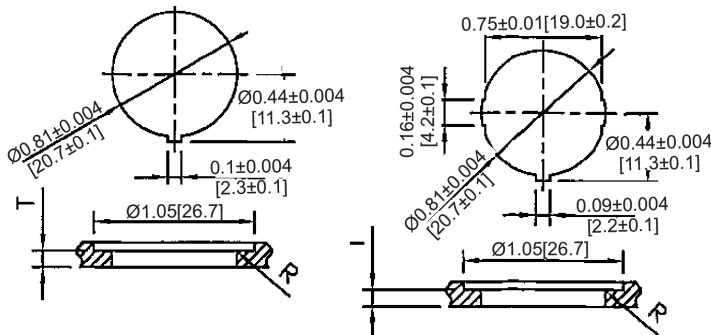


Mechanical Dimensions: Inches [mm]

Tolerances ± 0.012 [0.3] Unless Otherwise Specified



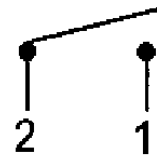
Mounting Hole



Thickness: 0.06~0.1 [1.5~2.5] | 0.03~0.1 [0.7~2.5]

Circuit Diagram

2P SPST OFF-ON



Electrical Specifications

Rating 10(4)A 125/250V AC, 10A 125V AC 6A 250V AC 10(4)A 250V AC 16A 125V AC, 10A 250V AC

Contact Resistance 50m ohm Max

Insulation Resistance DC 500V 100M ohm Min

Dielectric Strength AC 1500V 1 minute

Operation Temperature -25°C~85°C

Material Specifications

Frame Black, Nylon 66 (94-V2)

Actuator Black, PC (94-V2)

Waterproof Rubber Black, Silicone

Terminals Silver plated, Copper alloy

Waterproof IP65

Rev	Date of issue	Revision Notes	Designed	Approved
B	06-08-2021	Initial Drawing	RC	OF