



50Ω TERMINATED    3GHz    SMA    LATCHING    S.P.3 T. SWITCH

OPTIONS:

**R F CHARACTERISTICS**

NUMBER OF WAYS : 3  
 FREQUENCY RANGE : 0 - 3 GHz  
 IMPEDANCE : 50 Ohms

|                 |         |
|-----------------|---------|
| FREQUENCY (GHz) | 0 - 3   |
| V.S.W.R <=      | 1.20    |
| INSERT. LOSS <= | 0.20 dB |
| ISOLATION >=    | 80 dB   |
| AVER. POWER (*) | 240 W   |

TERMINATION IMPEDANCE : 50 Ohms  
 TERMINATION AVG. POWER AT 25° C : 1 W per termination  
 3 W total power

**ELECTRICAL CHARACTERISTICS**

ACTUATOR : LATCHING  
 NOMINAL CURRENT AT 25° C (\*10%) : 125 mA / RESET : 375 mA (\*\*)  
 ACTUATOR VOLTAGE (Vcc) : 28V (24 to 30V) / NEGATIVE COMMON  
 TERMINALS : solder pins (250°C max./30 sec.)

**MECHANICAL CHARACTERISTICS**

CONNECTORS : SMA female per MIL-C 39012  
 LIFE : 2.000.000 cycles per position  
 SWITCHING TIME (nominal voltage;25° C) : < 15 ms  
 CONSTRUCTION : splashproof  
 WEIGHT : < 250 g

**ENVIRONMENTAL CHARACTERISTICS**

OPERATING TEMPERATURE RANGE (°C) : -40 , +85  
 STORAGE TEMPERATURE RANGE (°C) : -55 , +85

(\* : average power at 25° C per RF path)  
 (\*\* RESET : supply voltage time 1sec. max./duty cycle 10%)

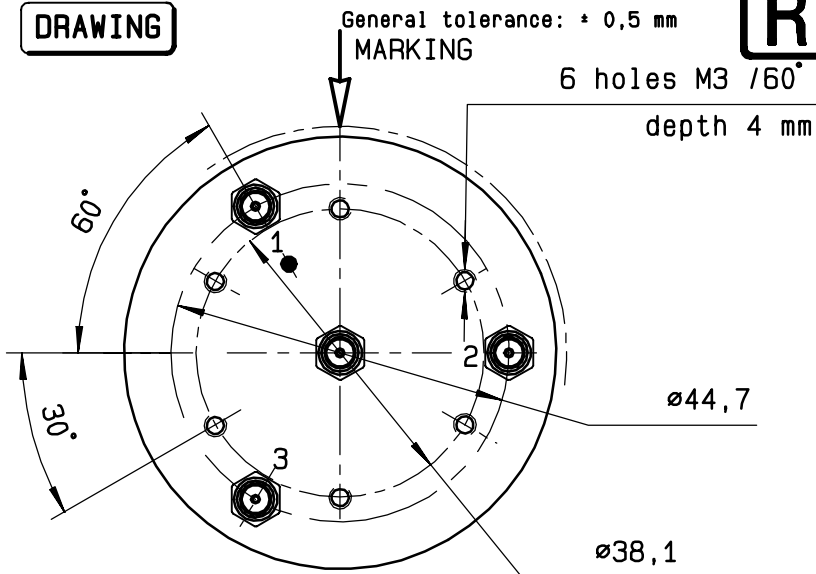
This information is given as an indication. In the continual goal to improve our products, we reserve the right to make any modifications judged necessary

4112-9212

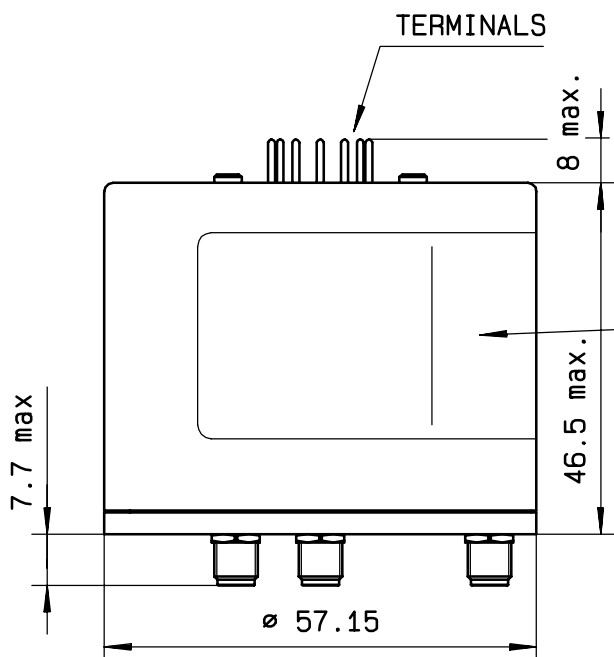
4113-9212 This information is given as an indication. In the continual goal to improve our products, we reserve the right to make any modifications judged necessary

# R574 323300

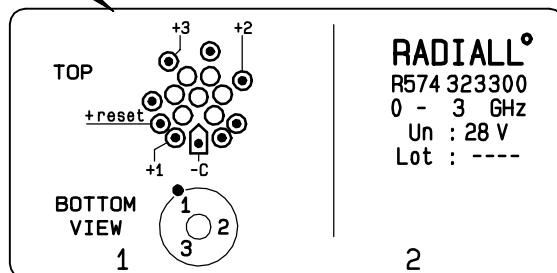
## DRAWING



| Voltage   | RF continuity          |
|-----------|------------------------|
| -C +RESET | All ports open         |
| -C +1     | IN $\leftrightarrow$ 1 |
| -C +2     | IN $\leftrightarrow$ 2 |
| -C +3     | IN $\leftrightarrow$ 3 |



MARKING TOP VIEW (TERMINALS)



## SCHEMATIC DIAGRAM

