

PART NAME

NEMA 4X PLASTIC BOX w/EXTERNAL MTG. BRKT.

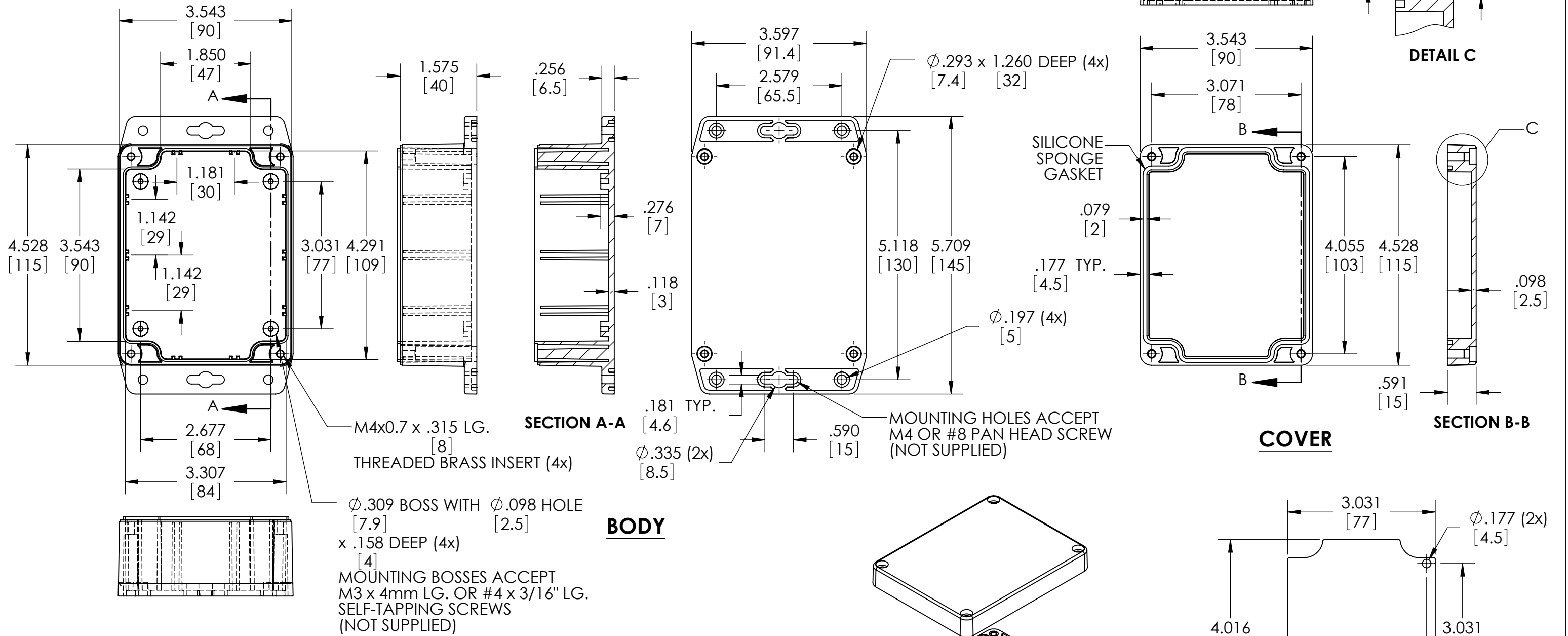
PART No.

PN-1323-MB PN-1323-CMB PN-1323-DGMB

REVISION DATE

5-26-11

MATERIAL & FINISH:
 (-MB SUFFIX PART NO.) POLYCARBONATE UL94-HB, UV STABILIZED, SERVICE TEMPERATURE RANGE: -40°C TO +120°C, LIGHT GRAY BODY & COVER.
 (-CMB SUFFIX PART NO.) SAME AS -MB EXCEPT CLEAR COVER.
 (-DGMB SUFFIX PART NO.) ABS UL94-HB, SERVICE TEMPERATURE RANGE: -40°C TO +80°C, DARK GRAY BODY & COVER.



- NOTES:
 1.) FOUR (4) M4x0.7 x 20mm (.787") LG. STAINLESS STEEL SCREWS SUPPLIED FOR ASSEMBLY OF COVER TO BODY.
 2.) BOXES DESIGNED TO MEET FOLLOWING STANDARDS: NEMA 1, 2, 4, 4X, 12, 13 AND IEC529-IP65 REQUIREMENTS.
 3.) ALL HOLE DIAMETERS HAVE \pm .005 [.12] TOLERANCE. ALL OTHER DIMENSIONS HAVE \pm .015 [.38] TOLERANCE.
 4.) ALL OUTSIDE DRAFT ANGLE: 1°
 ALL INSIDE DRAFT ANGLE: 1/2°

