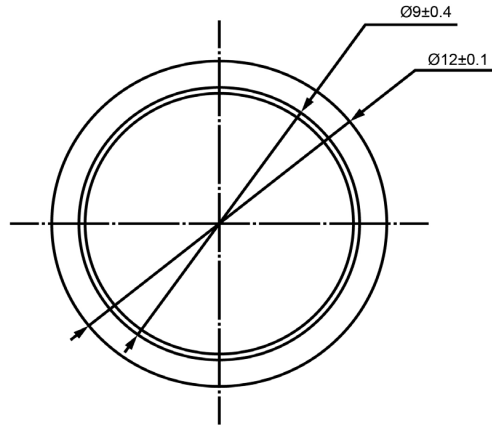
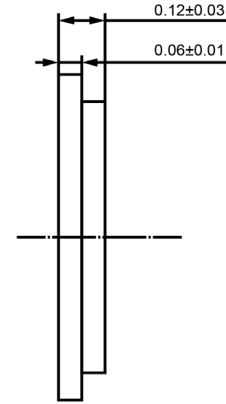


TOP VIEW



SIDE VIEW



Specifications			Notes	Revision History										
Description	Value	Unit		Version	Description	Date	Approved	Drawn by	Date	Checked by	Date	Approved by	Date	
Resonant Frequency	6,000	(Hz)	1) All dimensions are in mm unless otherwise noted 2) All parts meet RoHS	1	Released from Engineering	10/21/2013	J.S							
Resonant Impedance (Max)	700	(Ohm)												
Max Input Voltage	30	(V)												
Capacitance	13,000	(pF)												
Plate Material	Brass													
Operating Temperature	-20 ~ +60	°C												
Storage Temperature	-20 ~ +70	°C												



DB UNLIMITED

Piezo Bender

P12060-1

Additional considerations can be found at www.dbunlimitedco.com/technical-articles.