

REVISIONS

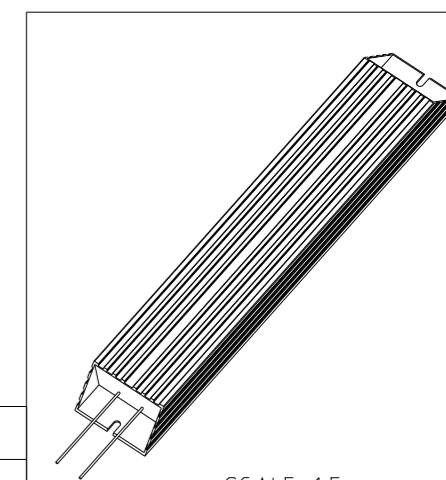
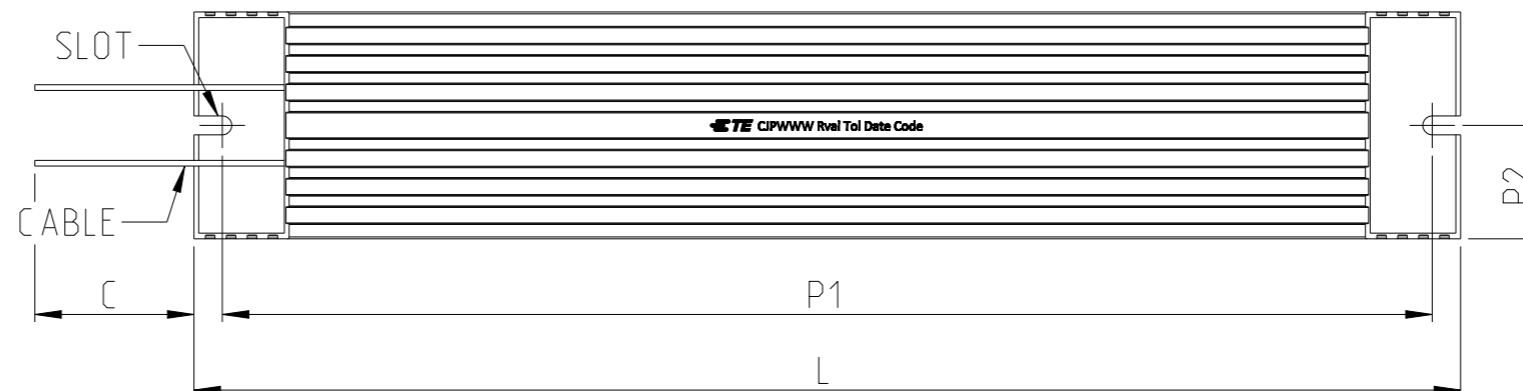
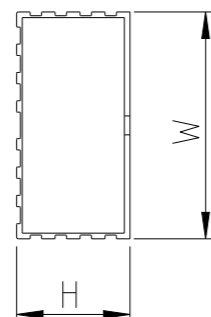
NOTE:

- 1 MOUNTING: 2x SLOT 5x10mm
- 2 TERMINATION CABLES: UL APPROVED FEP CABLES FOR THE TERMINATIONS, BASED ON THE RESISTOR CURRENT RATING (SEE CHART BELOW) WITH E5 RING TERMINALS

CURRENT RATING	CABLE SIZE USED
≤15A	16 AWG
>15A & ≤25A	14 AWG
>25A & ≤35A	12 AWG

3 FOR FURTHER INFORMATION SEE DATA SHEET FOR CJP SERIES OF ALUMINIUM HOUSED RESISTOR

P	LTR	DESCRIPTION	DATE	DWN	APVD
	A	INITIAL DRAWING RELEASE	27MAY2022	KS	AP



PART NUMBER	L	W	H	C	P1	P2
CJP600	335	60	30	290	320	30

THIS DRAWING IS A CONTROLLED DOCUMENT.

DWN	KARTHIK S	27MAY2022
CHK	ALLAN P	27MAY2022
APVD	ALLAN P	27MAY2022



DIMENSIONS:	TOLERANCES UNLESS OTHERWISE SPECIFIED:
mm	
	0 PLC ±-
	1 PLC ±0.5
	2 PLC ±0.13
	3 PLC ±0.013
	4 PLC ±0.0001
	ANGLES ±
MATERIAL	FINISH
-	-
-	-

NAME ALUMINIUM ENCLOSED RESISTOR CJP600 SERIES

PRODUCT SPEC	-
APPLICATION SPEC	-
WEIGHT	-

SIZE	CAGE CODE	DRAWING NO	RESTRICTED TO
A3	00779	C=2176511	-

CUSTOMER DRAWING	SCALE 1:2	SHEET 1 OF 2	REV A
------------------	-----------	--------------	-------

REVISIONS


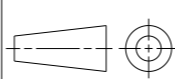
P	LTR	DESCRIPTION	DATE	DWN	APVD
	-	SEE SHEET 1	-	-	-

SCHEDULE

TCPN	PRODUCT NUMBER	MATERIAL DESCRIPTION	PART STATUS
2176511-1	C JP600J1R5J	C JP 600W 1R5 5% LEAD	PRODUCTION
2176511-2	C JP600J1R8J	C JP 600W 1R8 5% LEAD	PRODUCTION
2176511-3	C JP600J2R2J	C JP 600W 2R2 5% LEAD	PRODUCTION
2176511-4	C JP600J2R7J	C JP 600W 2R7 5% LEAD	PRODUCTION
2176511-5	C JP600J3R3J	C JP 600W 3R3 5% LEAD	PRODUCTION
2176511-6	C JP600J3R9J	C JP 600W 3R9 5% LEAD	PRODUCTION
2176511-7	C JP600J4R7J	C JP 600W 4R7 5% LEAD	PRODUCTION
2176511-8	C JP600J5R6J	C JP 600W 5R6 5% LEAD	PRODUCTION
2176511-9	C JP600J6R8J	C JP 600W 6R8 5% LEAD	PRODUCTION
1-2176511-0	C JP600J8R2J	C JP 600W 8R2 5% LEAD	PRODUCTION
1-2176511-1	C JP600J10RJ	C JP 600W 10R 5% LEAD	PRODUCTION
1-2176511-2	C JP600J12RJ	C JP 600W 12R 5% LEAD	PRODUCTION
1-2176511-3	C JP600J15RJ	C JP 600W 15R 5% LEAD	PRODUCTION
1-2176511-4	C JP600J18RJ	C JP 600W 18R 5% LEAD	PRODUCTION
1-2176511-5	C JP600J22RJ	C JP 600W 22R 5% LEAD	PRODUCTION
1-2176511-6	C JP600J27RJ	C JP 600W 27R 5% LEAD	PRODUCTION
1-2176511-7	C JP600J33RJ	C JP 600W 33R 5% LEAD	PRODUCTION
1-2176511-8	C JP600J39RJ	C JP 600W 39R 5% LEAD	PRODUCTION
1-2176511-9	C JP600J47RJ	C JP 600W 47R 5% LEAD	PRODUCTION
2-2176511-0	C JP600J56RJ	C JP 600W 56R 5% LEAD	PRODUCTION

SCHEDULE

TCPN	PRODUCT NUMBER	MATERIAL DESCRIPTION	PART STATUS
2-2176511-1	C JP600J68RJ	C JP 600W 68R 5% LEAD	PRODUCTION
2-2176511-2	C JP600J82RJ	C JP 600W 82R 5% LEAD	PRODUCTION
2-2176511-3	C JP600J100RJ	C JP 600W 100R 5% LEAD	PRODUCTION
2-2176511-4	C JP600J120RJ	C JP 600W 120R 5% LEAD	PRODUCTION
2-2176511-5	C JP600J150RJ	C JP 600W 150R 5% LEAD	PRODUCTION
2-2176511-6	C JP600J180RJ	C JP 600W 180R 5% LEAD	PRODUCTION
2-2176511-7	C JP600J220RJ	C JP 600W 220R 5% LEAD	PRODUCTION
2-2176511-8	C JP600J270RJ	C JP 600W 270R 5% LEAD	PRODUCTION
2-2176511-9	C JP600J330RJ	C JP 600W 330R 5% LEAD	PRODUCTION
3-2176511-0	C JP600J390RJ	C JP 600W 390R 5% LEAD	PRODUCTION
3-2176511-1	C JP600J470RJ	C JP 600W 470R 5% LEAD	PRODUCTION
3-2176511-2	C JP600J560RJ	C JP 600W 560R 5% LEAD	PRODUCTION
3-2176511-3	C JP600J680RJ	C JP 600W 680R 5% LEAD	PRODUCTION
3-2176511-4	C JP600J820RJ	C JP 600W 820R 5% LEAD	PRODUCTION
3-2176511-5	C JP600J1K0J	C JP 600W 1K0 5% LEAD	PRODUCTION
3-2176511-6	C JP600J1K2J	C JP 600W 1K2 5% LEAD	PRODUCTION
3-2176511-7	C JP600J1K5J	C JP 600W 1K5 5% LEAD	PRODUCTION
3-2176511-8	C JP600J1K8J	C JP 600W 1K8 5% LEAD	PRODUCTION

THIS DRAWING IS A CONTROLLED DOCUMENT.		DWN KARTHIK S 27MAY2022	 TE Connectivity	
DIMENSIONS: mm		CHK ALLAN P 27MAY2022		
TOLERANCES UNLESS OTHERWISE SPECIFIED:		APVD ALLAN P 27MAY2022	NAME ALUMINIUM ENCLOSED RESISTOR CJP600 SERIES	
		PRODUCT SPEC -	RESTRICTED TO -	
MATERIAL -		FINISH -	APPLICATION SPEC -	SIZE A3
		WEIGHT -	CAGE CODE 00779	DRAWING NO C=2176511
CUSTOMER DRAWING			SCALE 1:1	SHEET 2 OF 2
			REV A	