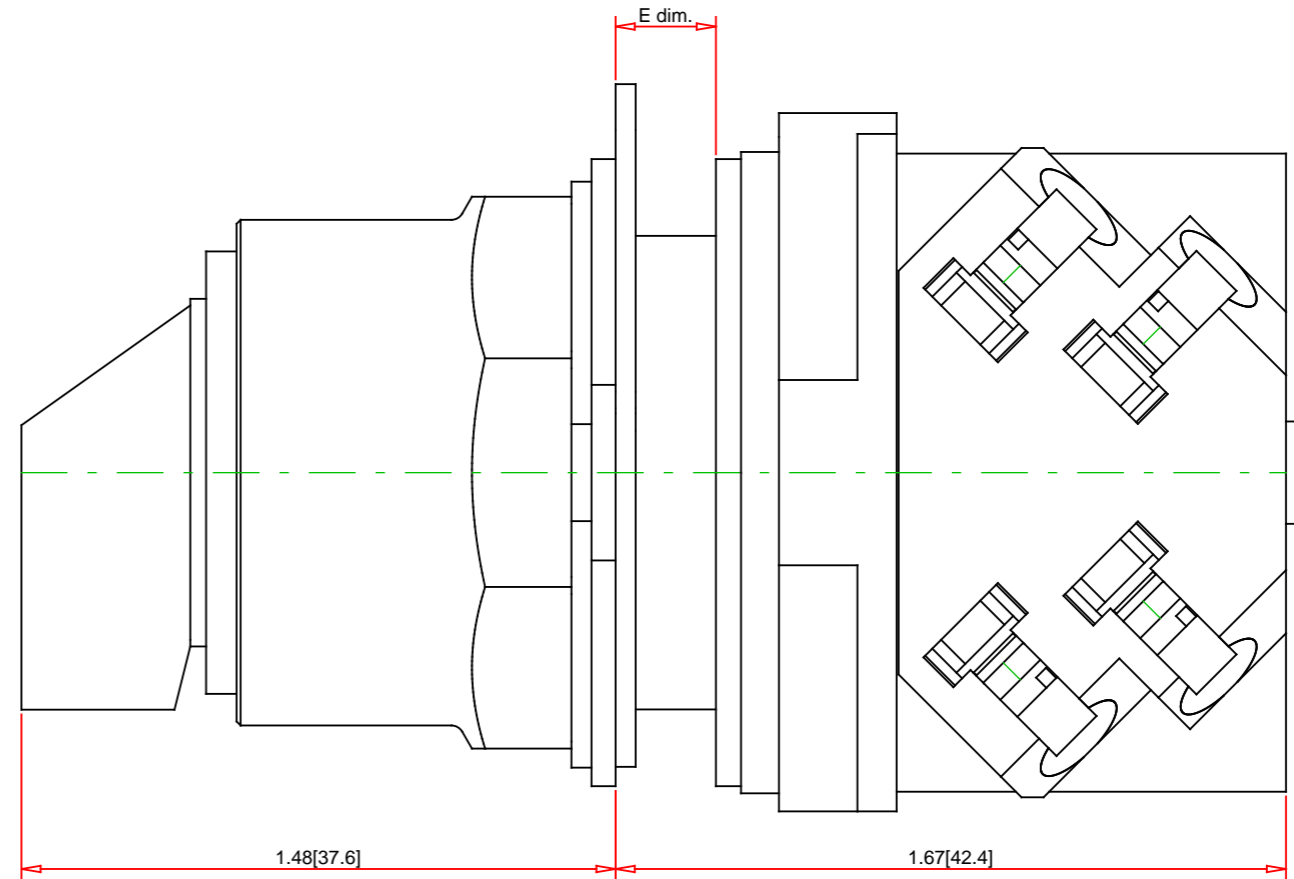
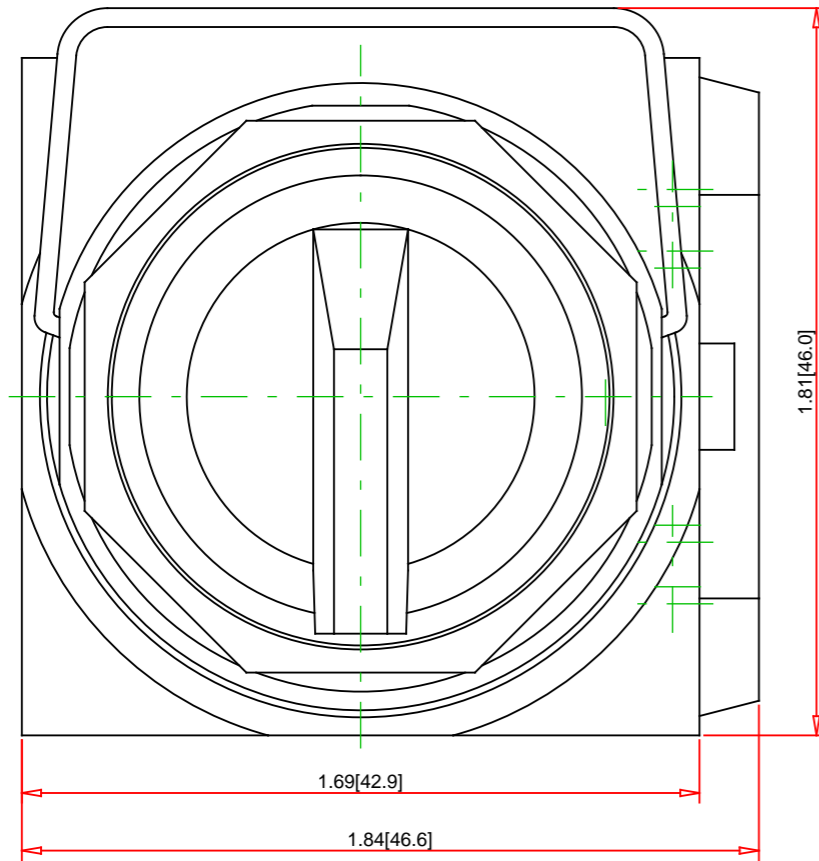


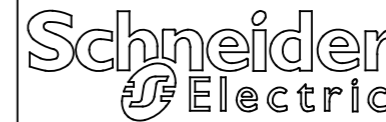
Panel Thickness E dim. inches (mm)	Number of Gasket
1/16 (1.6)	4
1/8 (3.2)	3
3/16 (4.8)	2
1/4 (6.4)	1



Note:
- Drawings Not To Scale
- Drawings Subject to Change Without Notice
- Dimensions are inches next to [Millimeters]

Part No.:

9001AS1



Schneider Electric United States
North American Division
Boston One Campus
800 Federal Street
Andover, MA 01810, USA
Phone: +1 8773425173
Email: CCC@us.schneider-electric.com

Technical Information:

Circuit Configuration: SPDT
Electrical Life: 100000
Mechanical Life: 500000
Operating Temp. Range: -30 to 60 °C (-22 to 140 °F)
Power Rating: Not HP Rated
Number of Poles: 1 N.O. + 1 N.C.
AC Voltage: 600
Current Rating: 10
Contact Rating: AC-15: 600V, 1.2A; 240V, 3A; 120V, 6A DC-13: 600V, 0.1A; 250V, 0.27A; 125V, 0.55A

Specification:

Description: Push Buttons 30 mm - Assemblies
Type: Selector Switch
Actuator Type: Selector Knob
Illumination: None
Terminal Plating: Terminal - Brass - no plating, Screw - Zinc Chromate
Actuator Color: Black
Actuator Part No.: 9001KS11B
Contact Block Part No.: 9001KA1
Legend Plate Part No.: 9001KN244