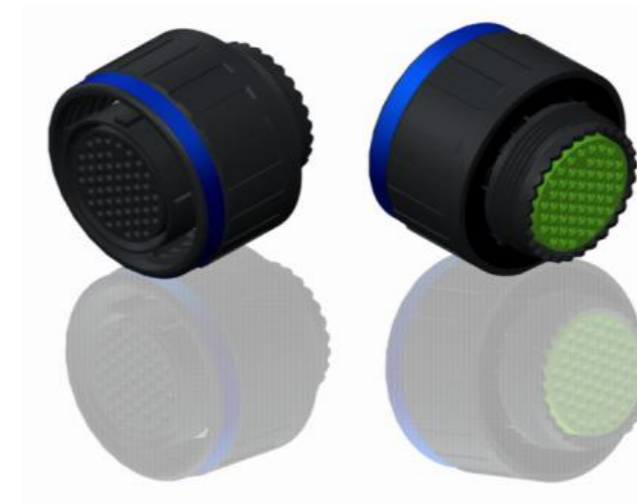
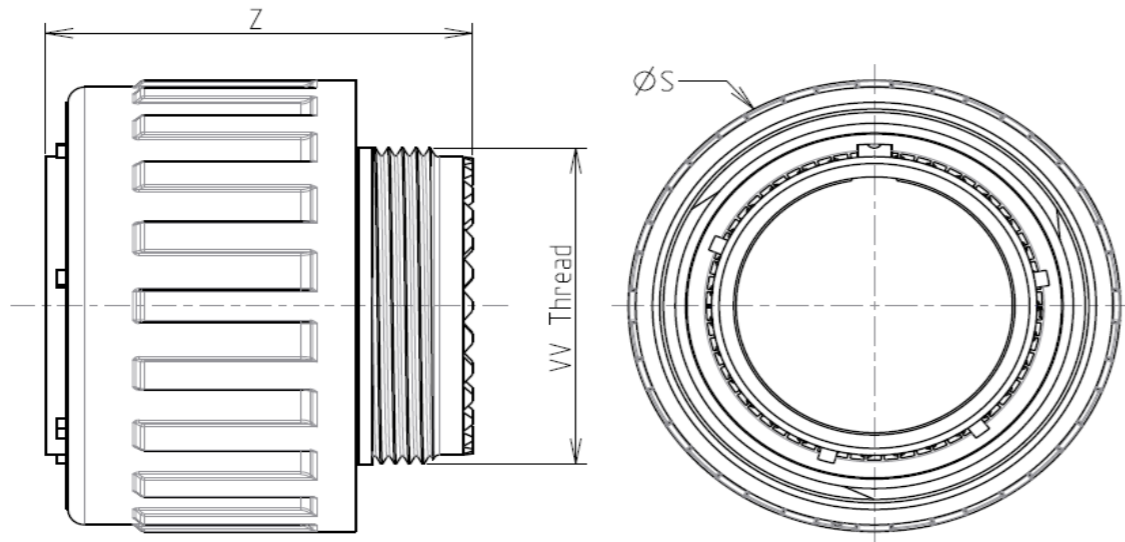


H G F E D C B A



LAYOUT SHOWN AS EXAMPLE

Keying Shown as example

**CHARACTERISTICS**

- Standard : Based on MIL-DTL-38999 Series III
- Shell Material : Composite
- Shell Plating : Without Plating
- Insulator : Thermoplastic
- Contacts : Copper Alloy
- Seals & Grommet : Silicon Elastomer
- Contact Plating : Gold over copper Alloy 0.8µm minimum
- Durability : 500 Mating cycles
- Delivered without Souriau contacts
- Temperature Range : -65°C to +175°C
- Salt Spray : 2000 hours
- Mass : 37.1 g ± 10%

Connector dimension	
Dim	Nominal
ØS	38.5 Max
Z	31 Max
VV THREAD	M28x1-6g

SOURIAU shall not be liable for any non-conformity or damage due to a use of the Products which does not comply with the Specifications issued by either of the Parties or by a third party (professional recommendation, technical notice.)

Country	Jurisdiction & Control List
FR	Not Listed

**PN: 8D519X11SNL**

A	19-10-2016	First Release	
ISS	DATE	Latest modification - by	MOD N°
Designed By:		Date:	<b>CUSTOMER DRAWING</b>
<b>TITLE</b>		Composite Plug 8D series	
SCALE	NA	General linear Tolerances: ±--	NPRDS / PROJECT <b>859</b>
<b>SOURIAU</b>		WWW.SOURIAU.COM	
This document is the property of SOURIAU it must not be reproduced or communicated without permission			
FORMAT	<b>SOURIAU DRG N° 8D519X11SNL-C</b>		SHEET 1/2

BASIC SERIES:	8D	5	-	19	X	11	S	N	L	Delivered W/O Contacts
SHELL TYPE :	Plug with RFI Shielding				ORIENTATION : N					
CONTACT TYPE :	Standard Crimp Contact				CONTACT TYPE : SOCKET(500 Matings)					
SHELL SIZE :	19				CONTACT LAYOUT : 19-11					
PLATING :	X = Without Plating									

H G F E D C B A

Contact Layout



Contact position ID	Location		Contact position ID	Location	
	X-axis (mm)	Y-axis (mm)		X-axis (mm)	Y-axis (mm)
A	+105 (2.67)	+260 (6.60)	G	-275 (6.99)	-053 (1.35)
B	+250 (6.35)	+132 (3.35)	H	-250 (6.35)	+132 (3.35)
C	+275 (6.99)	-053 (1.35)	J	-105 (2.67)	+260 (6.60)
D	+179 (4.55)	-215 (5.46)	K	+000 (0.00)	+105 (2.67)
E	+000 (0.00)	-281 (7.14)	L	+000 (0.00)	-092 (2.34)
F	-179 (4.55)	-215 (5.46)	---	---	---

Shell size	Arrangement no.	Number of contacts	Size contacts	Service rating	Contact location	Supersedes
19	-11	11	16	II	All	MS20054-11

SOURIAU shall not be liable for any non-conformity or damage due to a use of the Products which does not comply with the Specifications issued by either of the Parties or by a third party (professional recommendation, technical notice.)

Country	Jurisdiction & Control List
FR	Not Listed

PN: 8D519X11SNL

A	19-10-2016	First Release	
ISS	DATE	Latest modification - by	MOD N°
Designed By:		Date:	<b>CUSTOMER DRAWING</b>
<b>TITLE</b>	<b>Composite Plug 8D series</b>		
SCALE		General linear Tolerances:	NPRDS / PROJECT
NA		±--	<b>859</b>
<b>SOURIAU</b>	<b>WWW.SOURIAU.COM</b>		This document is the property of SOURIAU it must not be reproduced or communicated without permission
FORMAT	<b>SOURIAU DRG N° 8D519X11SNL-C</b>		SHEET 2/2