

PART NUMBER	REVISION	DESCRIPTION	FEED TYPE
2151463-1	J	FINE CRIMP HEIGHT ADJUST	MECHANICAL
2151463-2	J	FINE CRIMP HEIGHT ADJUST	PNEUMATIC
7-2151463-1	J	MECHANICAL AND CRIMP TOOLING KIT	MECHANICAL
7-2151463-2	J	PNEUMATIC AND CRIMP TOOLING KIT	PNEUMATIC
7-2151463-7	E	CRIMP TOOLING KIT	-

ATLANTIC VERSION TERMINATOR INTERFACE ADAPTER



APPLICATOR DATA		
CRIMP	SIZE	TYPE
WIRE	2.01 mm [.079]	F
INSUL	2.49 mm [.098]	O

APPLICATOR INSTRUCTIONS
408-35042

TERMINAL DATA: FCI TERMINAL FORD CRIMP SPECIFICATION	
TERMINAL NAME: 2.80MM WIRE SNAP ON FEMALE TERMINAL	
WIRE STRIP LENGTH 4.71-4.72 mm [.185-.186 IN]	INSULATION DIAMETER RANGE Ø 1.90 mm [.075 IN] MAX
TERMINAL APPLICATION SPECIFICATION FCI WLB0100 Rev 10.4	FORD Rev A

TERMINALS APPLIED			
TE TERMINAL	FCI TERMINAL	TE TERMINAL	INTERLOCK TERMINAL
1572901-1	10757690	1572901-4	JTP 1811-29
1572901-8	54001802	1572901-9	JTP 1811-29G
1-1572901-5	54001839	1572901-3	JTP 1811-66AU
1832575-1	54001803	TE TERMINAL	DAIMLER CHRYSLER
TE TERMINAL	NON-CHRYSLER TERMINAL	1572901-7	04687767
1572901-6	JS-1811-29	1-1572901-1	04707172
1-1572901-0	JS-1811-29G	1-1572901-3	04667819
1-1572901-2	JS-1811-66AU	TE TERMINAL	DELPHI PACKARD
TE TERMINAL	FORD TERMINAL	1-1572901-4	10890230
1572901-5	F8V8-14474-BA	1-1572901-6	15512735
TE TERMINAL	APTIV TERMINAL	1-1572901-7	54001800
1-1572901-8	15418893		

WIRE SIZE	CRIMP HEIGHT mm [INCH]	CRIMP HEIGHT REFERENCE SETTING
1.00mm2	1.40 +/- 0.05 [.055 +/- .002]	7.8
18 AWG	1.35 +/- 0.05 [.053 +/- .002]	8.3
0.75mm2	1.30 +/- 0.05 [.051 +/- .002]	8.9
0.50mm2	1.25 +/- 0.05 [.049 +/- .002]	9.3

- 1 RECOMMENDED SPARE PARTS
 - 2 REFER TO SUPPLIED INSTRUCTION SHEET FOR CLEANING, LUBRICATION AND STORAGE OF APPLICATOR.
 - 3 APPLY PART NUMBER 2-23419-6 LOCTITE TO THREADS OF ITEM 242.
 - 4 CRIMP HEIGHT REFERENCE SETTING WAS THE SETTING USED WHEN THE APPLICATOR WAS QUALIFIED AT THE FACTORY. ADJUSTMENT MAY BE NECESSARY WHEN RUNNING APPLICATOR IN THE FIELD.
 - 5 CUT TO LENGTH AT ASSEMBLY.
 - 6 TERMINAL LUBRICANT IS RECOMMENDED.
7. UNLESS SPECIFIED OTHERWISE TORQUE VALUES SHALL BE USED PER DOCUMENT, 101-35000.

***WARNING**
ON INSTALLATION, SET WIRE DISC TO CRIMP HEIGHT REFERENCE SETTING FOR LARGEST WIRE SIZE. CRIMP HEIGHT REFERENCE SETTINGS GREATER THAN THE VALUE SHOWN MAY CAUSE DAMAGE TO THE CRIMP TOOLING, REFER TO THE INSTRUCTION SHEET FOR PROPER SETUP AND ADJUSTMENTS.

LOC		DIST		REVISIONS			
A	66	P	LTN	DESCRIPTION	DATE	DWN	APVD
		H		ECR-18-006916	04MAY2018	VLA	JDG
		H1		ECR-19-017063	04NOV2019	FZ	RK
		J		ECR-21-111802	27AUG2021	FJ	RK
		J1		ECR-22-151041	31AUG2022	FZ	JAH

-	1	-	1	-	2119641-1	FEED CAM, AIR FEED	248
-	1	1	1	1	2119082-4	CAM, SNAIL, INSULATION ADJUSTMENT	244
-	1	1	1	1	2079764-1	WASHER, WAVE SPRING, CREST-TO-CREST	243
3	-	1	1	1	2119083-1	RETAINER, INSULATION DIAL	242
-	1	1	1	1	7-18023-7	SCR, SKT HD CAP M3 X 4.0	241
-	-	1	-	1	2119580-1	MECHANICAL FEED ASSEMBLY	239
-	1	-	1	-	2844940-1	AIR FEED MODULE	238
-	REF	REF	REF	REF	994970-2	COUNTER, MAGNETIC	164
6	-	1	1	1	2119955-1	ASSY, LUBRICATOR, SIDE FEED	113
-	1	1	1	1	2844908-1	SCREW, LOCKING	99
-	1	1	1	1	2844907-1	POST, LOCKING	98
-	1	1	1	1	318563-1	GUARD, FRONT CHIP	89
-	1	1	1	1	455888-6	SPACER, CRIMPER	82
-	1	1	1	1	1803607-3	DOCUMENTATION PACKAGE	71
-	1	1	1	1	2119740-1	TAG IDENTIFICATION	67
-	2	2	2	2	2168078-1	SCREW, DRIVE, RH, RoHS, 2 x .188	66
-	1	1	1	1	2168083-2	SCR, SKT HD CAP, RoHS, M4 X 8.0	60
-	1	1	1	1	5-18022-5	SCR, HEX HD CAP, M4 X 6.0	59
-	1	1	1	1	1338685-1	PAWL, FEED	56
5	-	4	4	4	2168083-3	SCR, SKT HD CAP, RoHS, M4 X 12.0	54
-	2	2	2	2	1-2168083-0	SCR, SKT HD CAP, RoHS, M4 X 10	53
-	1	1	1	1	5018030-1	NUT, HEX, REG, RoHS, M3	52
-	1	1	1	1	811242-5	BUMPER, HOLD DOWN	51
-	1	1	1	1	690753-2	SPACER, TONKER	50
-	1	2	1	2	18023-9	SCR, SKT HD CAP M4 X 6.0	49
-	-	1	-	1	2119652-1	FEED CAM, PRE FEED	48
-	-	1	-	1	2119653-1	FEED CAM, POST FEED	47
-	1	1	1	1	1803583-9	APPLICATOR BASIC ASSEMBLY, SF	46
-	1	1	1	1	1803515-1	RAM ASSEMBLY, SF ATLANTIC	44
-	1	1	1	1	1803602-1	SCR, BHSC, RoHS (M8 X 25)	41
-	1	1	1	1	1752356-3	SUPPORT, TERMINAL	34
-	2	2	2	2	2079383-5	SCR, BHSC, RoHS (M4 X 20)	33
-	2	2	2	2	2-2844962-3	SPACER, CYLINDRICAL, STRIP GUIDE	30
-	1	1	1	1	2844992-2	ASSEMBLY, STRIP GUIDE	29
-	1	1	1	1	455888-3	SPACER, CRIMPER	28
-	1	1	1	1	1320928-2	STRIP GUIDE	24
-	1	1	1	1	2168083-2	SCR, SKT HD CAP, RoHS, M4 X 8.0	21
-	1	1	1	1	1-18028-2	WASHER, FLAT, REG M4	20
-	1	1	1	1	2119533-1	STRIPPER, SIDE FEED	19
1	-	1	1	1	2119806-1	INSERT, SHEAR	13
-	1	1	1	1	3-22280-3	SPRING, COMPRESSION	12
-	1	1	1	1	1-356885-3	STOP, SHEAR	11
1	-	1	1	1	2119805-1	SHEAR HOLDER, FRONT	10
1	-	1	1	1	1803095-6	FLOATING SHEAR, FRONT	9
1	1	2	2	1	1633932-4	ANVIL, COMBINATION	8
-	-	-	-	-	-	-	7
-	-	-	-	-	-	-	6
-	1	1	1	1	2119757-8	DEPRESSOR, SHEAR	5
-	1	1	1	1	2-238011-1	BLOCK, CRIMPER SPACER	4
1	1	2	2	1	1-1803018-1	CRIMPER, INSULATION O	3
-	1	1	1	1	455888-4	SPACER, CRIMPER	2
1	1	2	2	1	3-1633305-2	CRIMPER, WIRE PREMIUM	1

ATLANTIC VERSION
Shown on sheets 1 of 4 & 2 of 4
(Pacific version shown on sheets 3 of 4 & 4 of 4)

DIMENSIONS:		TOLERANCES UNLESS OTHERWISE SPECIFIED:		MATERIAL:		FINISH:	
mm	0 PLC ±	1 PLC ±	2 PLC ±	3 PLC ±	4 PLC ±	ANGLES ±	FINISH ±

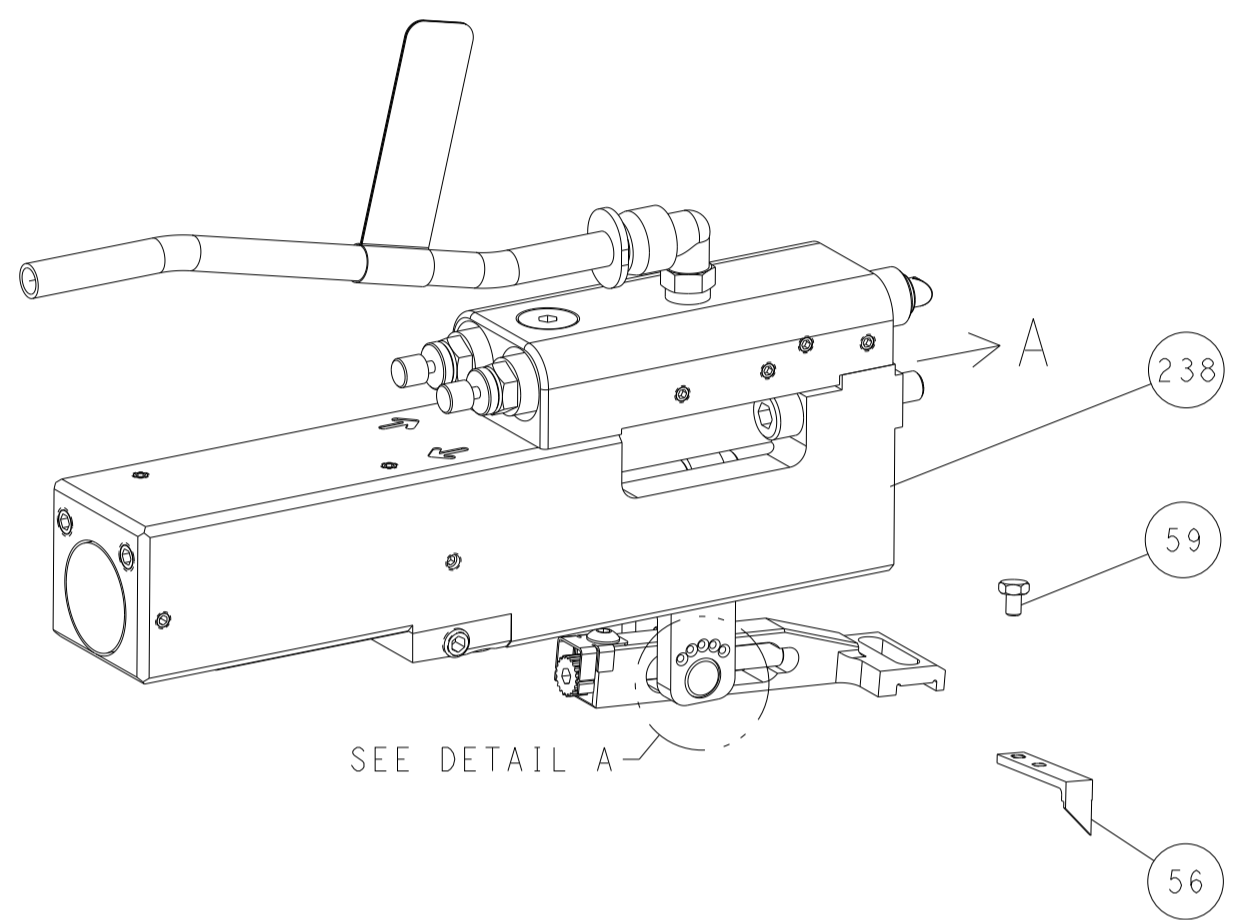
OWN	BOB HIGMAN	08MAR2012	CHK	T. ELBIN	08MAR2012	APVD	M. CLIFFORD	08MAR2012	NAME	TE Connectivity Harrisburg, PA 17105-3608
PRODUCT SPEC	Ocean Side Feed Applicator		SIZE	A1	CAGE CODE	00779	DRAWING NO	2151463	RESTRICTED TO	-
APPLICATION SPEC	Customer Accessible Production Drawing		SCALE	1:2	SHEET	1	OF	4	REV	J1

LOC	DIST	REVISIONS					
A	66	P	LTN	DESCRIPTION	DATE	OWN	APVD
		-		SEE SHEET 1			

FEED TYPE MECHANICAL



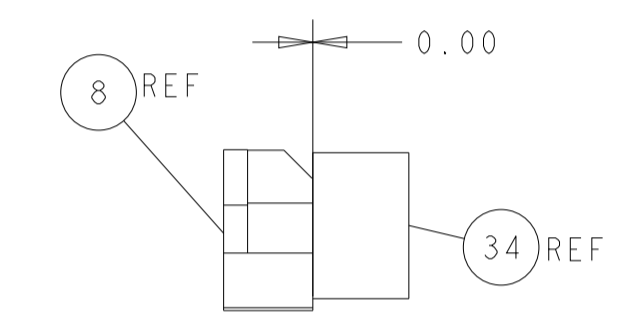
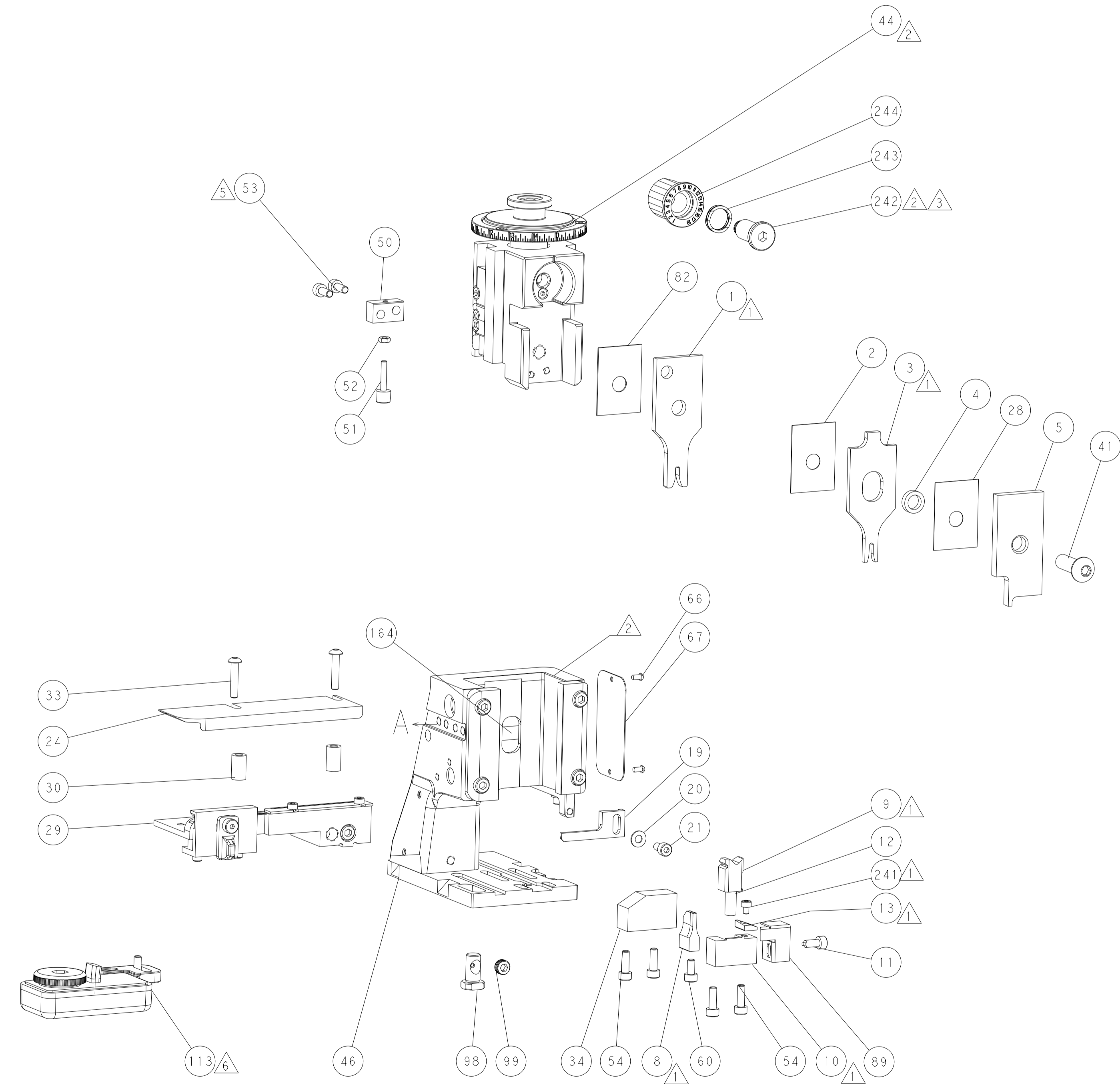
PNEUMATIC



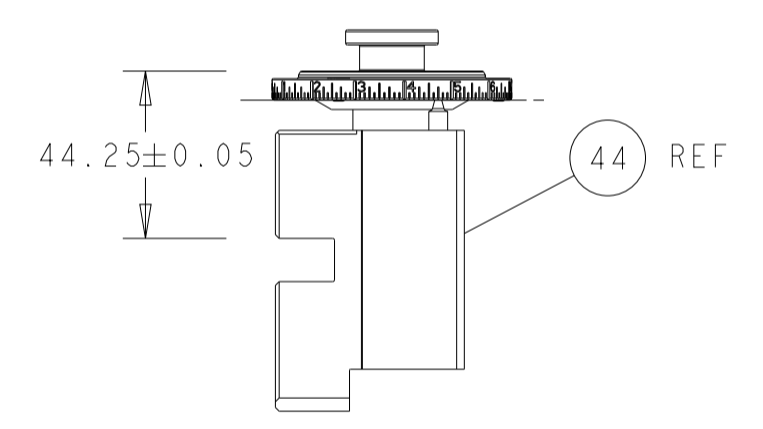
FEED SPRING SETTING POSITION (SHOWN FROM REAR SIDE)



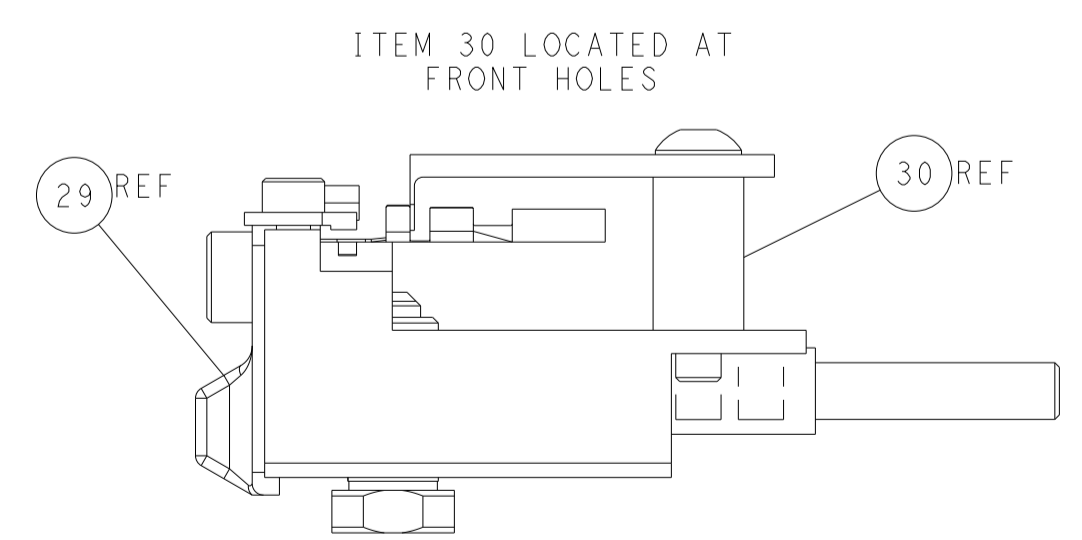
DETAIL A



TERMINAL SUPPORT LOCATION

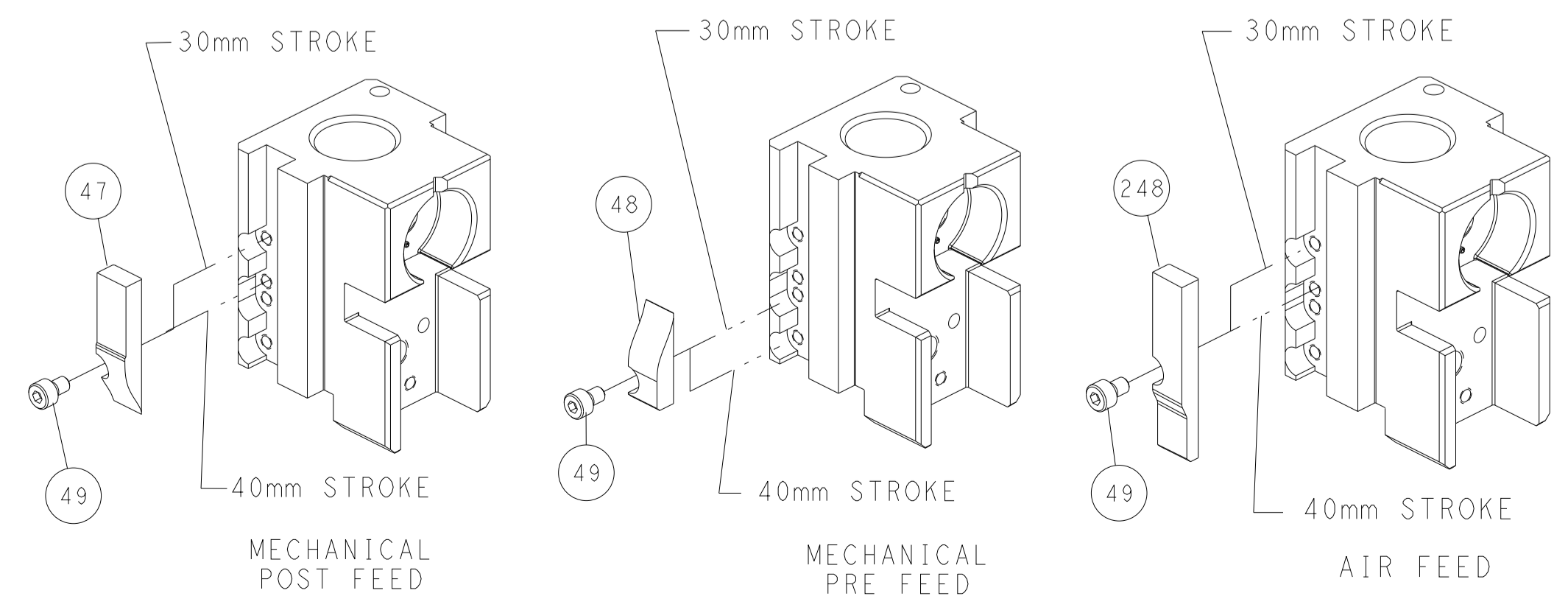


RAM SET-UP



FEED TRACK POSITION GUIDE BY INSULATION BARREL

CAM POSITIONS



ATLANTIC VERSION
 Shown on sheets 1 of 4 & 2 of 4
 (Pacific version shown on sheets 3 of 4 & 4 of 4)

<small>THIS DRAWING IS UNPUBLISHED. RELEASED FOR PUBLICATION. ALL RIGHTS RESERVED. THIS DRAWING IS CONTROLLED DOCUMENT. THIS ELECTRONICS CORPORATION IS THE PROPRIETOR OF ALL RIGHTS IN THIS DRAWING. REPRODUCTION OR TRANSMISSION OF THIS DRAWING WITHOUT THE WRITTEN PERMISSION OF THIS CORPORATION IS STRICTLY PROHIBITED.</small>		OWN: BOB HIGMAN 08MAR2012 CHK: T. ELBIN 08MAR2012 APVD: M. CLIFFORD 08MAR2012 PRODUCT SPEC: - APPLICATION SPEC: - WEIGHT: - MATERIAL: -	NAME: Ocean Side Feed Applicator SIZE: A1 CAGE CODE: 00779 DRAWING NO: C-2151463 SCALE: 1:2 SHEET: 2 OF 4 REV: J1	TE Connectivity Harrisburg, PA 17105-3608
DIMENSIONS: mm TOLERANCES UNLESS OTHERWISE SPECIFIED: 0 PLC ± 1 PLC ± 2 PLC ± 3 PLC ± 4 PLC ± ANGLES ± FINISH -		Customer Accessible Production Drawing		

PART NUMBER	REVISION	DESCRIPTION	FEED TYPE
2-2151463-1	J	FINE CRIMP HEIGHT ADJUST	MECHANICAL
2-2151463-2	J	FINE CRIMP HEIGHT ADJUST	PNEUMATIC
7-2151463-7	E	CRIMP TOOLING KIT	-

PACIFIC VERSION TERMINATOR
 INTERFACE ADAPTER



APPLICATOR DATA		
CRIMP	SIZE	TYPE
WIRE	2.01 mm [.079]	F
INSUL	2.49 mm [.098]	O
APPLICATOR INSTRUCTIONS 408-35042		

TERMINAL DATA: FCI TERMINAL		FORD CRIMP SPECIFICATION	
TERMINAL NAME: 2.80MM WIRE SNAP ON FEMALE TERMINAL			
WIRE STRIP LENGTH 4.71-4.72mm [.185-.186 IN]		INSULATION DIAMETER RANGE Ø 1.90 mm [.075 IN] MAX	
TERMINAL APPLICATION SPECIFICATION	FORD Rev A	-	-
FCI WLBD100 Rev 10.4	-	-	-

TERMINALS APPLIED			
TE TERMINAL	FCI TERMINAL	TE TERMINAL	INTERLOCK TERMINAL
1572901-1	10757690	1572901-4	JTP 1811-29
1572901-8	54001802	1572901-9	JTP 1811-29G
1-1572901-5	54001839	1572901-3	JTP 1811-66AU
1832575-1	54001803	TE TERMINAL	DAIMLER CHRYSLER
TE TERMINAL	NON-CHRYSLER TERMINAL	1572901-7	04687767
1572901-6	JS-1811-29	1-1572901-1	04707172
1-1572901-0	JS-1811-29G	1-1572901-3	04667819
1-1572901-2	JS-1811-66AU	TE TERMINAL	DELPHI PACKARD
TE TERMINAL	FORD TERMINAL	1-1572901-4	10890230
1572901-5	F8V8-14474-BA	1-1572901-6	15512735
TE TERMINAL	APTIV TERMINAL	1-1572901-7	54001800
1-1572901-8	15418893		

WIRE SIZE	CRIMP HEIGHT mm [INCH]	CRIMP HEIGHT REFERENCE SETTING
1.00mm2	1.40+/-0.05 [.055+/-0.002]	7.8
18 AWG	1.35+/-0.05 [.053+/-0.002]	8.3
0.75mm2	1.30+/-0.05 [.051+/-0.002]	8.9
0.50mm2	1.25+/-0.05 [.049+/-0.002]	9.3

***WARNING**
 ON INSTALLATION, SET WIRE DISC TO CRIMP HEIGHT REFERENCE SETTING FOR LARGEST WIRE SIZE. CRIMP HEIGHT REFERENCE SETTINGS GREATER THAN THE VALUE SHOWN MAY CAUSE DAMAGE TO THE CRIMP TOOLING, REFER TO THE INSTRUCTION SHEET FOR PROPER SETUP AND ADJUSTMENTS.

- 1 RECOMMENDED SPARE PARTS
- 2 REFER TO SUPPLIED INSTRUCTION SHEET FOR CLEANING, LUBRICATION AND STORAGE OF APPLICATOR.
- 3 APPLY PART NUMBER 2-23419-6 LOCTITE TO THREADS OF ITEM 242.
- 4 CRIMP HEIGHT REFERENCE SETTING WAS THE SETTING USED WHEN THE APPLICATOR WAS QUALIFIED AT THE FACTORY. ADJUSTMENT MAY BE NECESSARY WHEN RUNNING APPLICATOR IN THE FIELD.
- 5 CUT TO LENGTH AT ASSEMBLY.
- 6 TERMINAL LUBRICANT IS RECOMMENDED.
- 7. UNLESS SPECIFIED OTHERWISE TORQUE VALUES SHALL BE USED PER DOCUMENT, 101-35000.

LOC	DIST	REVISIONS					
A	66	P	LTN	DESCRIPTION	DATE	OWN	APVD
-	-	-	-	SEE SHEET 1	-	-	-

-	1	1	2119082-4	CAM, SNAIL, INSULATION ADJUSTMENT	244
-	1	1	2079764-1	WASHER, WAVE SPRING, CREST-TO-CREST	243
-	1	1	2119083-1	RETAINER, INSULATION DIAL	242
-	1	1	7-18023-7	SCR, SKT HD CAP M3 X 4.0	241
-	-	1	2119580-1	MECHANICAL FEED ASSEMBLY	239
-	1	-	2844940-1	AIR FEED MODULE	238
-	REF	REF	994970-2	COUNTER, MAGNETIC	164
-	1	-	2119641-2	FEED CAM, AIR FEED	151
-	1	1	2168083-8	SCR, SKT HD CAP, RoHS, M4 X 16	144
-	4	4	2168083-9	SCR, SKT HD CAP, RoHS, M4 X 20	143
-	-	1	2119653-2	FEED CAM, POST FEED	142
-	1	1	1-1803583-0	APPLICATOR BASIC ASSEMBLY, SF	141
-	1	1	1803516-1	RAM ASSEMBLY, SF PACIFIC	140
-	1	1	2119955-1	ASSY, LUBRICATOR, SIDE FEED	113
-	1	1	2844908-1	SCREW, LOCKING	99
-	1	1	2844907-1	POST, LOCKING	98
-	1	1	318563-1	GUARD, FRONT CHIP	89
-	1	1	455888-6	SPACER, CRIMPER	82
-	1	1	1803607-3	DOCUMENTATION PACKAGE	71
-	1	1	2119740-1	TAG, IDENTIFICATION	67
-	2	2	2168078-1	SCREW, DRIVE, RH, RoHS, 2 x .188	66
-	1	1	5-18022-5	SCR, HEX HD CAP, M4 X 6.0	59
-	1	1	1338685-1	PAWL, FEED	56
-	2	2	1-2168083-0	SCR, SKT HD CAP, RoHS, M4 X 10	53
-	1	1	5018030-1	NUT, HEX, REG, RoHS, M3	52
-	1	1	811242-5	BUMPER, HOLD DOWN	51
-	1	1	690753-2	SPACER, TONKER	50
-	1	2	18023-9	SCR, SKT HD CAP M4 X 6.0	49
-	-	1	2119652-1	FEED CAM, PRE FEED	48
-	1	1	1803602-1	SCR, BHSC, RoHS (M8 X 25)	41
-	1	1	1752356-3	SUPPORT, TERMINAL	34
-	2	2	2079383-5	SCR, BHSC, RoHS (M4 X 20)	33
-	2	2	2-2844962-3	SPACER, CYLINDRICAL, STRIP GUIDE	30
-	1	1	2844992-2	ASSEMBLY, STRIP GUIDE	29
-	1	1	455888-3	SPACER, CRIMPER	28
-	1	1	1320928-2	STRIP GUIDE	24
-	1	1	2168083-2	SCR, SKT HD CAP, RoHS, M4 X 8.0	21
-	1	1	1-18028-2	WASHER, FLAT, REG M4	20
-	1	1	2119533-1	STRIPPER, SIDE FEED	19
-	1	1	2119806-1	INSERT, SHEAR	13
-	1	1	3-22280-3	SPRING, COMPRESSION	12
-	1	1	1-356885-3	STOP, SHEAR	11
-	1	1	2119805-1	SHEAR HOLDER, FRONT	10
-	1	1	1803095-6	FLOATING SHEAR, FRONT	9
-	1	1	1633932-4	ANVIL, COMBINATION	8
-	-	-	-	-	7
-	-	-	-	-	6
-	1	1	2119757-8	DEPRESSOR, SHEAR	5
-	1	1	2-238011-1	BLOCK, CRIMPER SPACER	4
-	1	1	1-1803018-1	CRIMPER, INSULATION O	3
-	1	1	455888-4	SPACER, CRIMPER	2
-	1	1	3-1633305-2	CRIMPER, WIRE PREMIUM	1

PACIFIC VERSION
 Shown on sheets 3 of 4 & 4 of 4
 (Atlantic version shown on sheets 1 of 4 & 2 of 4)

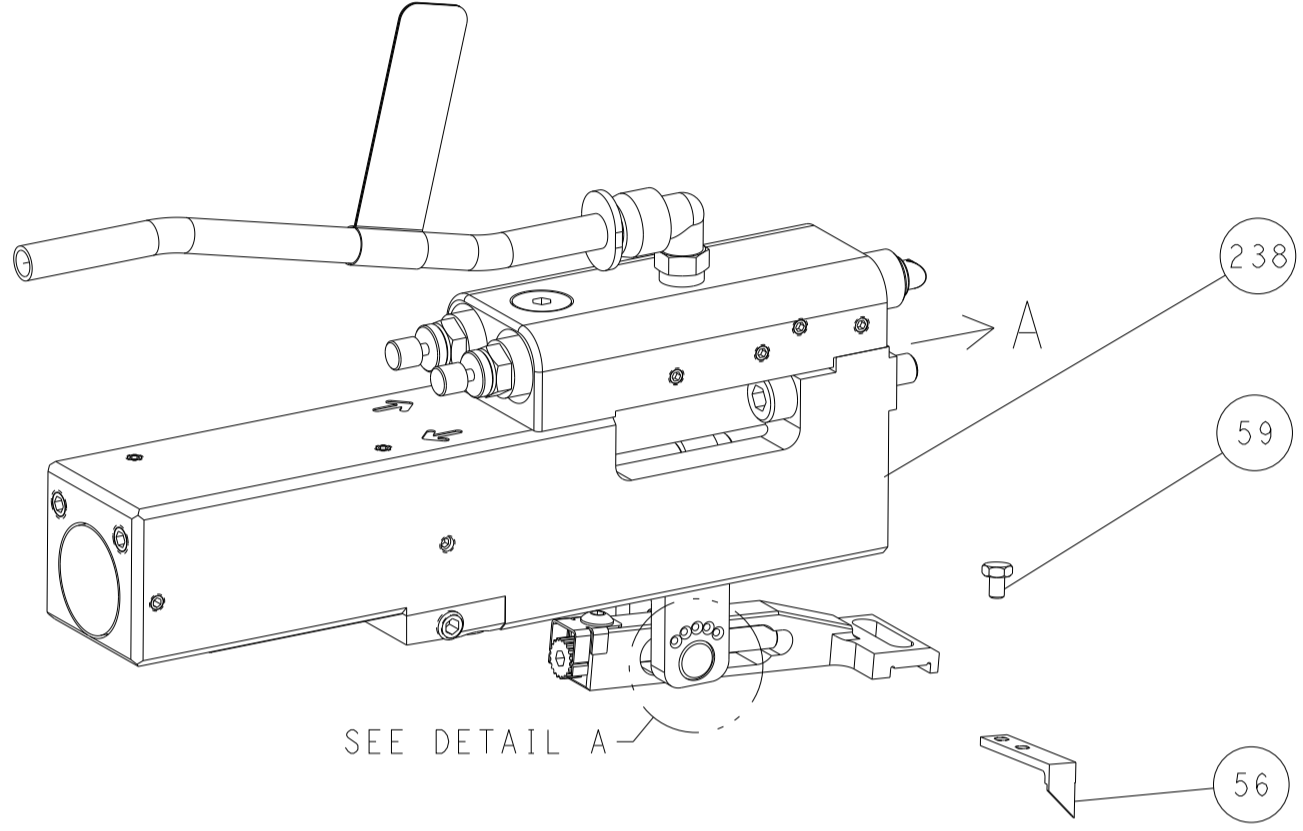
DIMENSIONS: mm 		TOLERANCES UNLESS OTHERWISE SPECIFIED: 0 PLC ± 1 PLC ± 2 PLC ± 3 PLC ± 4 PLC ± ANGLES ± FINISH		DWG: BOB HIGMAN 08MAR2012 CHK: T. ELBIN 08MAR2012 APVD: M. CLIFFORD 08MAR2012 PRODUCT SPEC APPLICATION SPEC WEIGHT: - MATERIAL: -		NAME: STE TE Connectivity Harrisburg, PA 17105-3608 Ocean Side Feed Applicator SIZE: A1 CAGE CODE: 00779 DRAWING NO: C=2151463 RESTRICTED TO: - SCALE: 1:2 SHEET: 3 OF 4 REV: J1	
-----------------------	--	---	--	---	--	--	--

LOC	DIST	REVISIONS					
A	66	P	LTN	DESCRIPTION	DATE	DWN	APVD
		-		SEE SHEET 1			

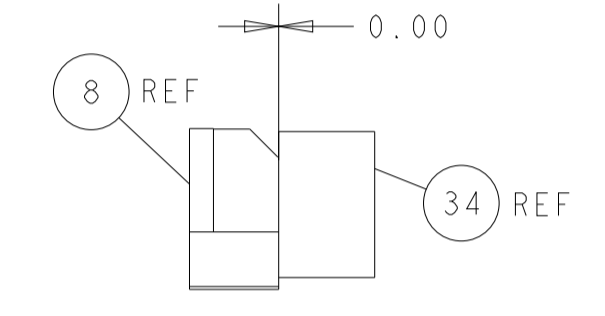
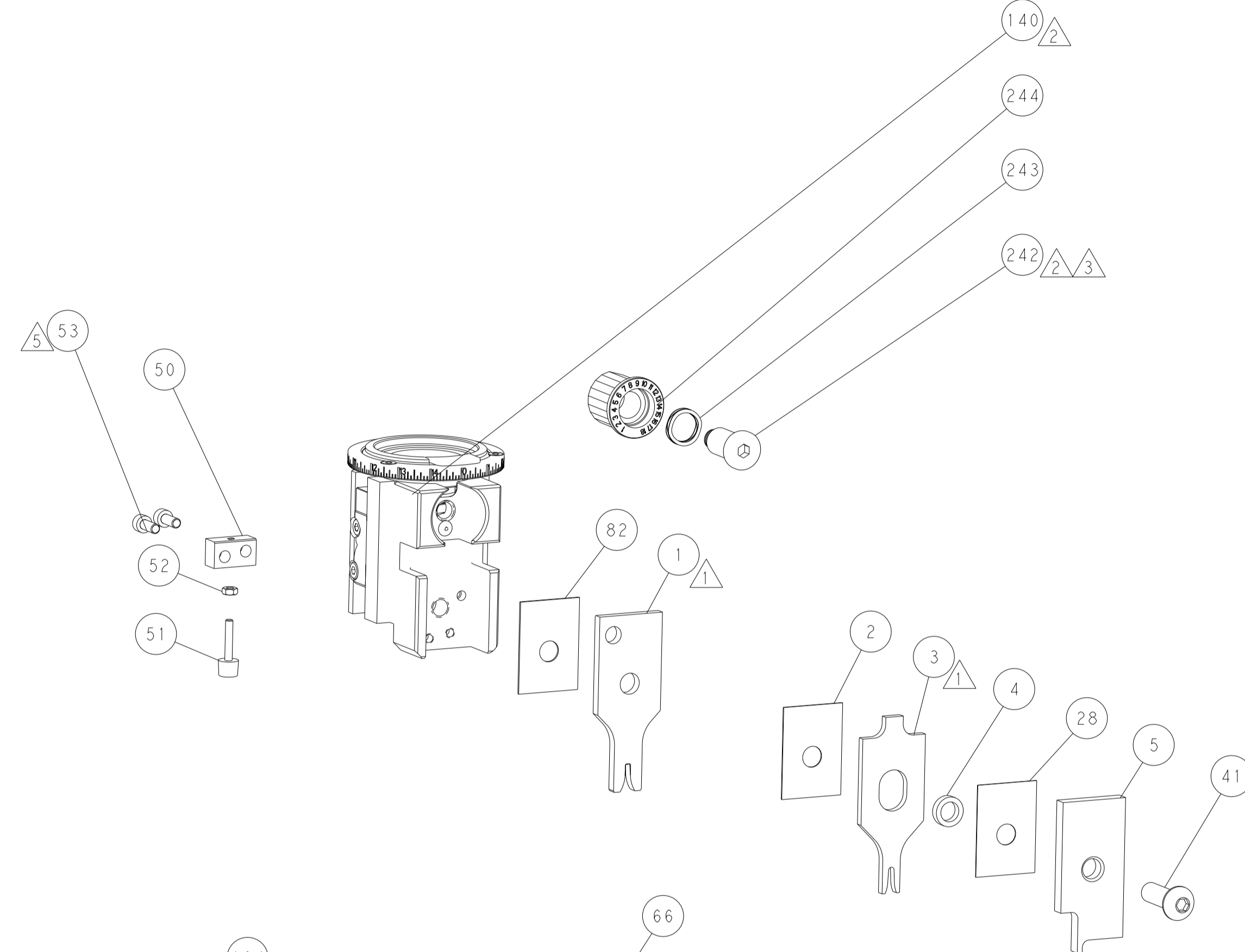
FEED TYPE MECHANICAL



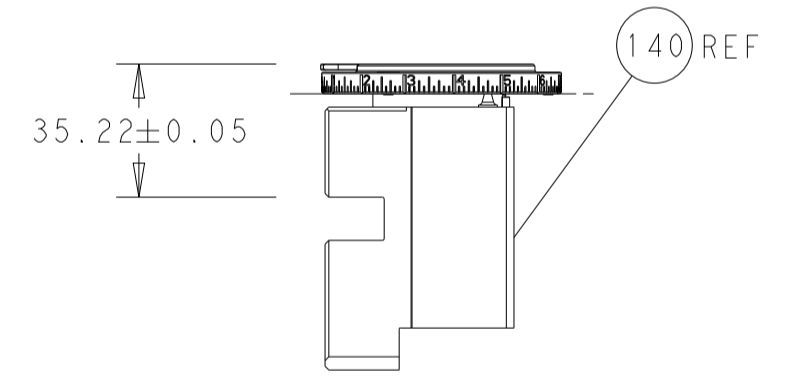
PNEUMATIC



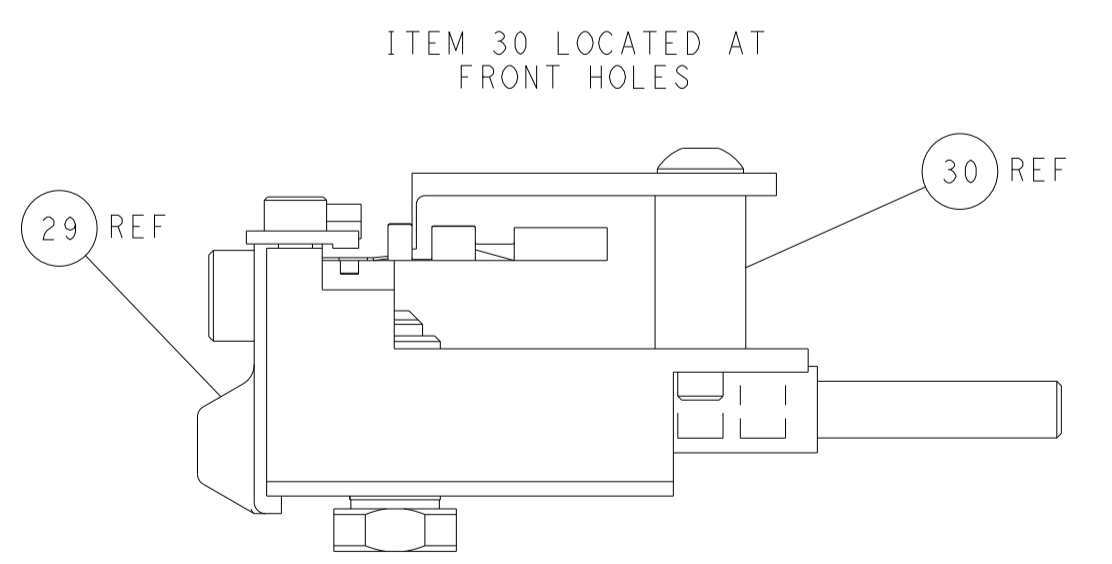
FEED SPRING SETTING POSITION (SHOWN FROM REAR SIDE)



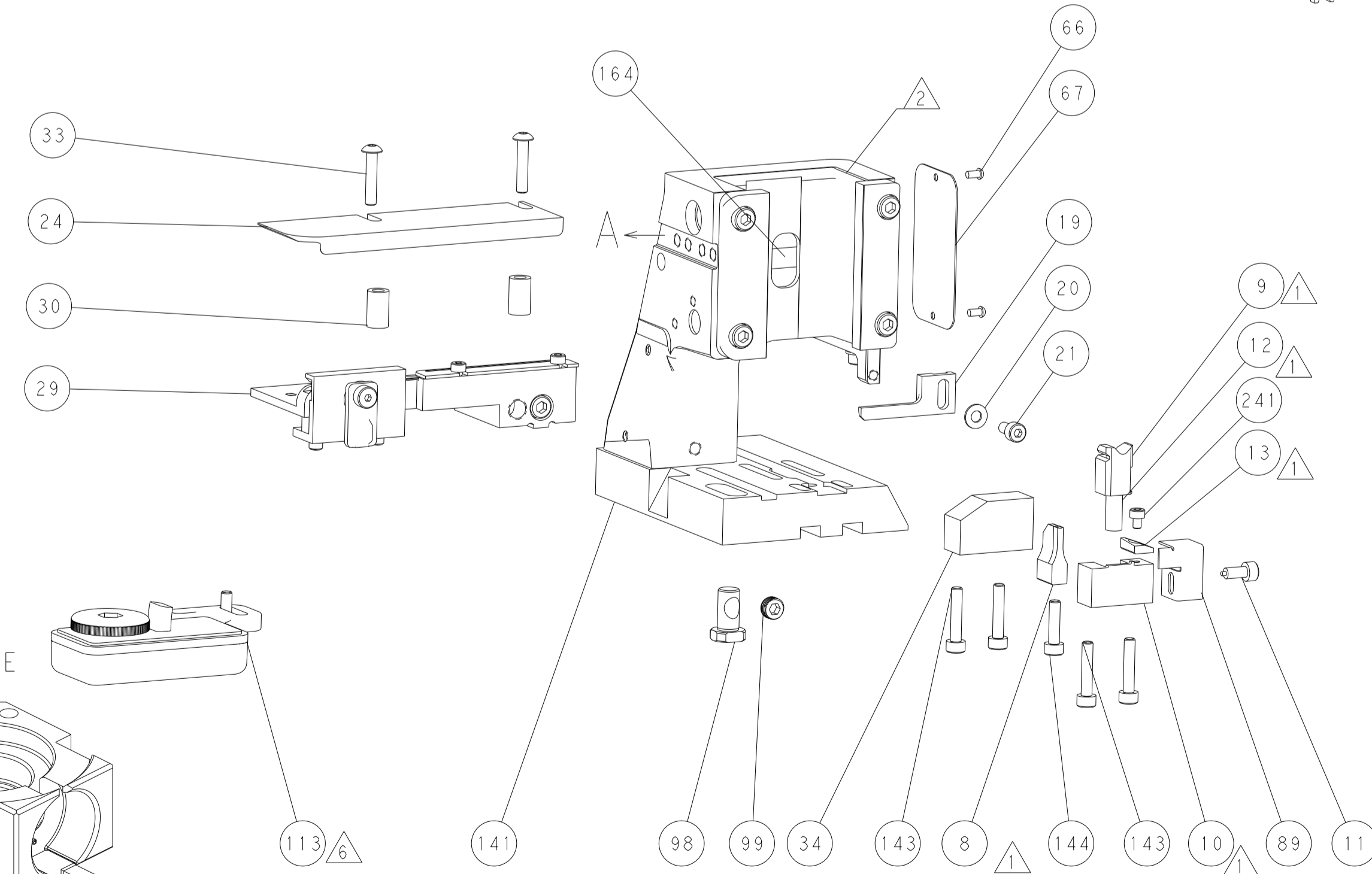
TERMINAL SUPPORT LOCATION



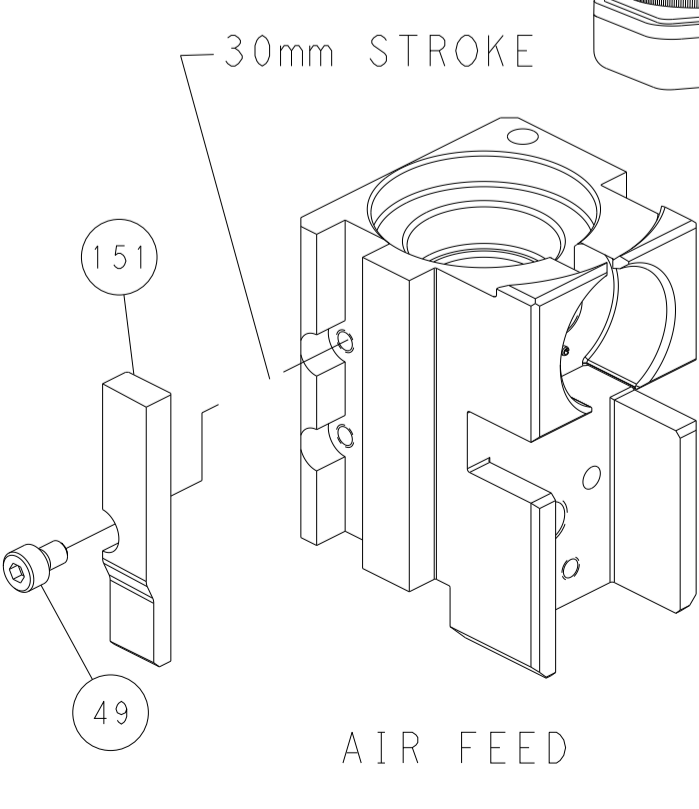
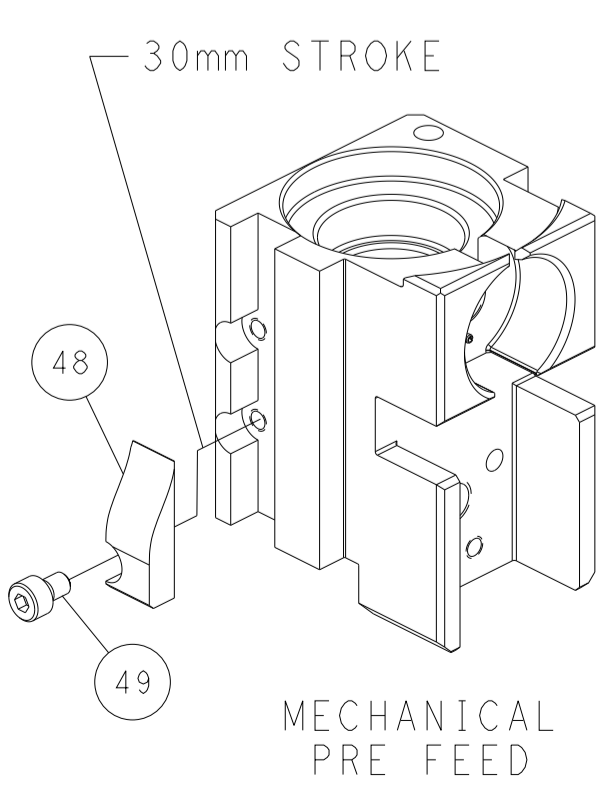
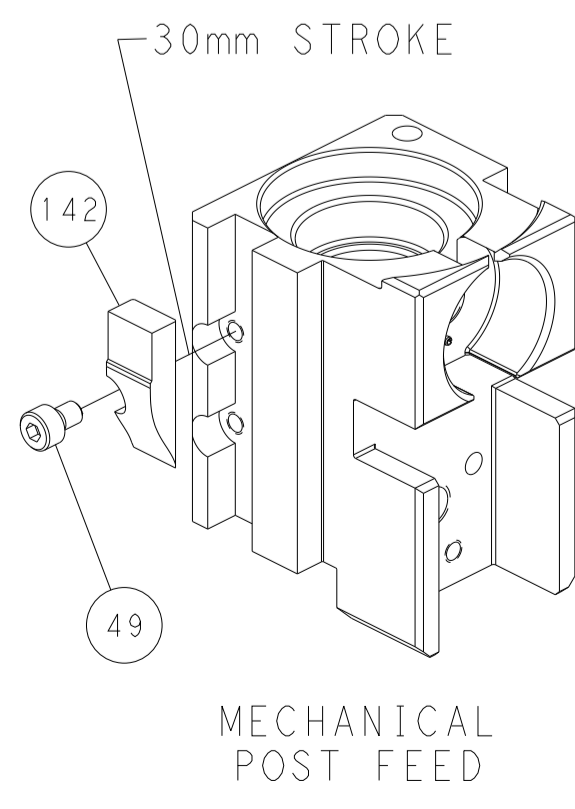
RAM SET-UP



FEED TRACK POSITION
GUIDE BY INSULATION BARREL



CAM POSITIONS



PACIFIC VERSION
 Shown on sheets 3 of 4 & 4 of 4
 (Atlantic version shown on sheets 1 of 4 & 2 of 4)

DIMENSIONS:		TOLERANCES UNLESS OTHERWISE SPECIFIED:		DWN BOB HIGMAN 08MAR2012		TE Connectivity	
mm	0 PLC ±	1 PLC ±	2 PLC ±	3 PLC ±	4 PLC ±	5 PLC ±	Harrisburg, PA 17105-3608
	ANGLES	FINISH		APVD M. CLIFFORD 08MAR2012	NAME	Ocean Side Feed Applicator	
MATERIAL				PRODUCT SPEC	APPLICATION SPEC	SIZE	RESTRICTED TO
				WEIGHT		A1 00779 C=2151463	
Customer Accessible Production Drawing				SCALE	1:2	SHEET 4 OF 4	REV J1