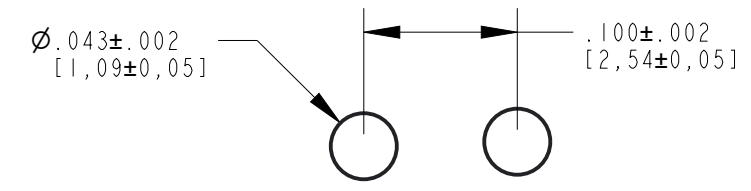
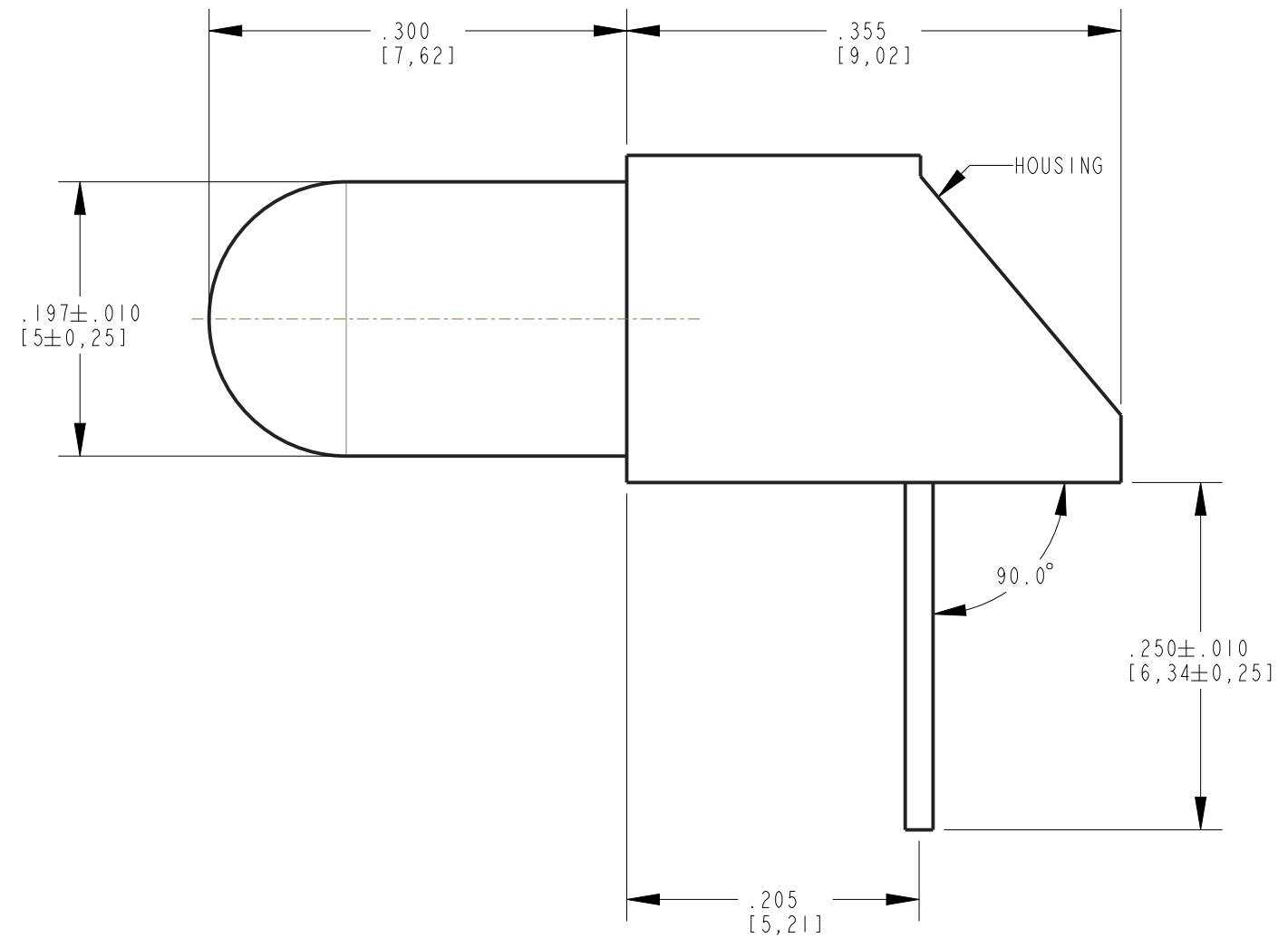
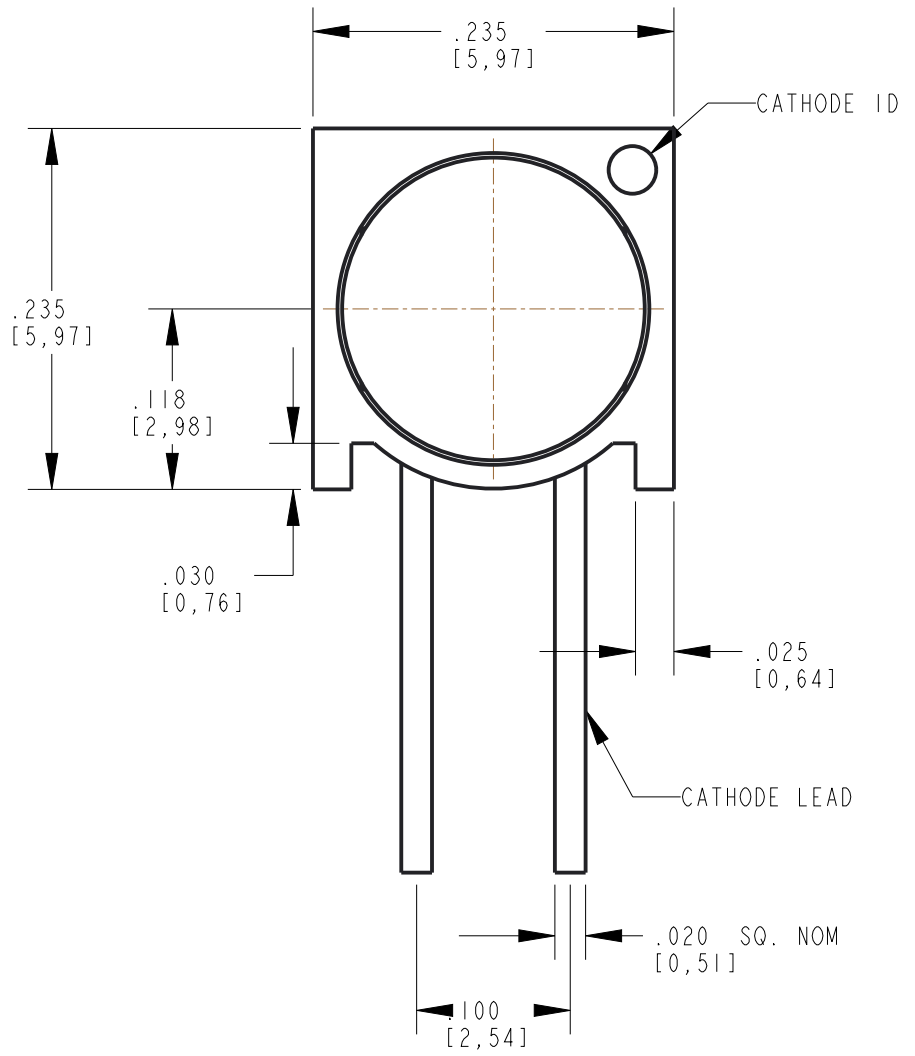


PART NUMBER	LED COLOR
550-5107-801F	RED DIFFUSED
550-5207-801F	GREEN DIFFUSED
550-5307-801F	YELLOW DIFFUSED

REV	REVISIONS	DRN	CKD	APP	QA	CM	DATE
A	NEW RELEASE	LD		NO			2-16-22




RECOMMENDED PC BOARD HOLE PATTERN

OPERATING CHARACTERISTICS AT 25°C AMBIENT							
PARAMETER	SYMBOL	COLOR	MIN.	TYP.	MAX.	UNITS	TEST CONDITIONS
LUMINOUS INTENSITY	I _V	RED	19	40	90	mcd	I _F = 10mA
		GREEN	8.7	29	40		
		YELLOW	19	40	100		
VIEWING ANGLE	2 1/2	RED		50		deg	
		GREEN					
		YELLOW					
PEAK EMISSION WAVELENGTH		RED		635		nm	V _R = 5V
		GREEN		569			
		YELLOW		585			
DOMINANT WAVELENGTH		RED		623		nm	
		GREEN	568	571	573		
		YELLOW	585	590	595		
FORWARD VOLTAGE	V _F	RED		2.0	2.6	V	I _F = 20mA
		GREEN	1.6	2.1	2.6		
		YELLOW		2.1	2.6		
REVERSE CURRENT	I _R	RED			100	uA	V _R = 5V
		GREEN			100		
		YELLOW			100		

ABSOLUTE MAXIMUM RATINGS AT 25°C AMBIENT				
PARAMETERS	RED	GREEN	YELLOW	UNITS
POWER DISSIPATION	81	52	108	mW
LINEAR DERATION FROM 50°C	0.71	0.27	0.27	mA/°C
FORWARD DC CURRENT	30	60	30	mA
PEAK FORWARD CURRENT (1/10 Duty Cycle, 0.1ms Pulse Width)	90	60	60	mA
OPERATING TEMPERATURE	-40 to +85			°C
STORAGE TEMPERATURE	-40 TO +100			°C
LEAD SOLDERING TEMPERATURE [2.0mm (.787") FROM BODY]	260 FOR 5 SECONDS MAX.			°C

THIS DRAWING AND THE CONTENTS HEREIN ARE CONFIDENTIAL AND THE SOLE PROPERTY OF DIALIGHT CORP. REPRODUCTION OF THIS DRAWING OR CONSTRUCTION OF ANY PARTS WITHIN THIS DRAWING ARE FORBIDDEN WITHOUT THE WRITTEN CONSENT OF DIALIGHT CORP.

DIALIGHT CORP. INTERNAL REFERENCE ONLY = 3D MODEL : 55051078XXF-A.3

SCALE: 8.000	DRAWING NUMBER	REV
ALL DIM's: INCH (mm)	C-18552	A
TOLERANCES: UNLESS OTHERWISE SPECIFIED	TITLE	
FRACTIONS: ±1/64	MATERIAL	
DECIMALS (.XX): ±.01		
DECIMALS (.XXX): ±.005		
DECIMALS (.XXXX): ±.0005		
ANGLES: ±1°		
FINISH		
FSCM 83330	 1501 ROUTE 34 SOUTH FARMINGDALE, NJ 07727 (732) 919-3119 www.dialight.com	
	SHEET 1 OF 1	FAMILY TABLE: