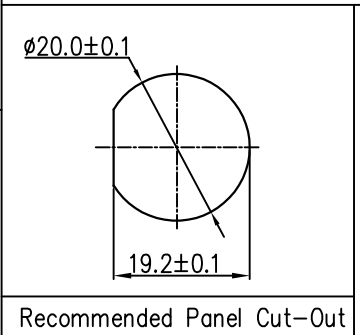
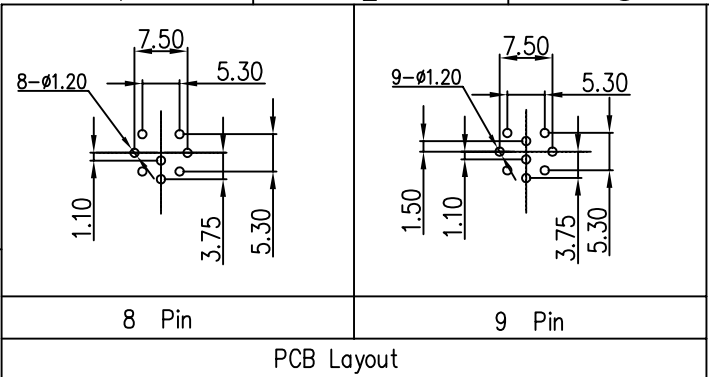
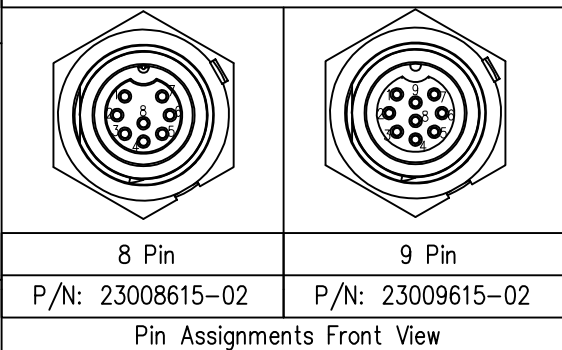


THIS INFORMATION IS CONFIDENTIAL AND IS DISCLOSED TO YOU ON CONDITION THAT NO FURTHER DISCLOSURE IS MADE BY YOU TO OTHER THAN CHOGORI PERSONNEL WITHOUT AUTHORIZATION FROM CHOGORI CORP.

REV.	ECN NO.	DESCRIPTION	SIGN	DATE
C1	N/A	INITIAL DRAWING	Liu	2020/05/13

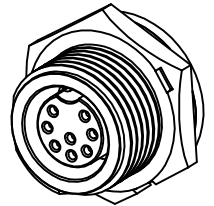
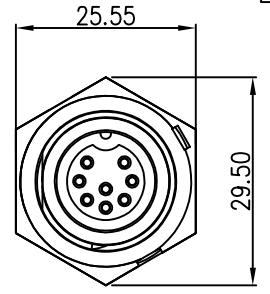
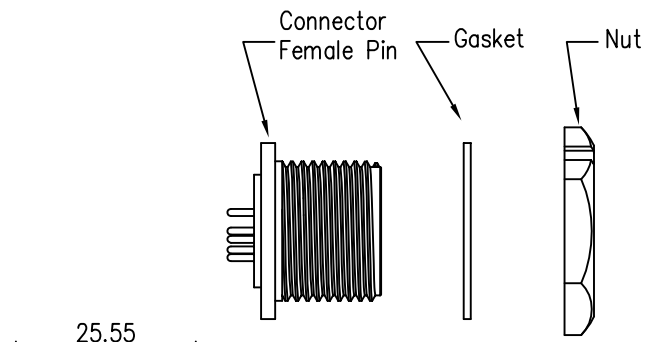
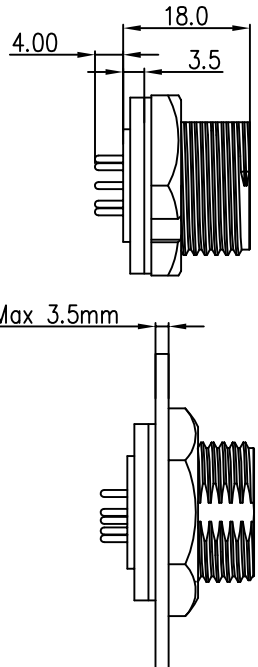


23XXX615-02
Pin Number



UNIT: mm	DESCRIPTION Middle Series Screw Type Front Mount With Female Pin	
TOLERANCE	SCALE: 1:1	SHEET 1 OF 1
.X ±0.25	REV. C1	SIZE A4
.XX ±0.15	* : Inspection Item	
.XXX ±0.05		
ANGLES ±1°		

CHOGORI



- Specification:
- 1.Operation Temperature: -45°C~105°C.
 - 2.Insulation Resistance: 100MΩ at DC500V.
 - 3.Contact Resistance: <10mΩ.
 - 4.Withstand Voltage: 1300V AC
 - 5.Operating Current: 5A
 - 6.Operating Voltage: DC 60V
 - 7.Waterproof Rate: IP67 (Mated)
 - 8.Housing: Nylon, Black
 - 9.Female Pin: Copper Alloy, Gold Plated
 - 10.Gasket: Silicon Gray
 - 11.Panel Nut: Nylon, Black
 - 12.Torque Rate: 0.8~1.0N·m
 - 13.RoHS Compliant.
 - 14.Mating Cap P/N: 806-00021-00

PART NO	23XXX615-02	DRAWN BY	Liu	DATE	2020/05/17
DWG NO		CHECKED BY	Mo	DATE	2020/05/17
CUSTOMER		APPROVED BY	Panson	DATE	2020/05/17