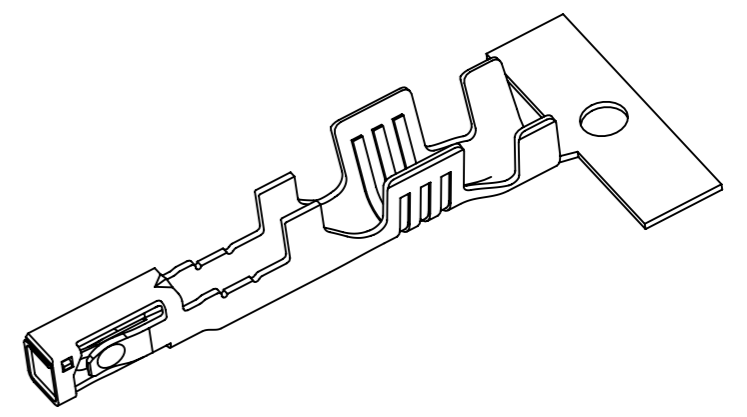
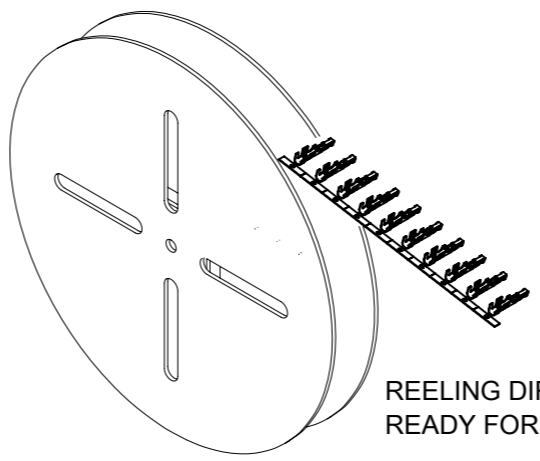
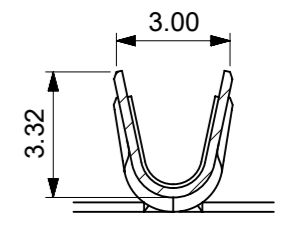
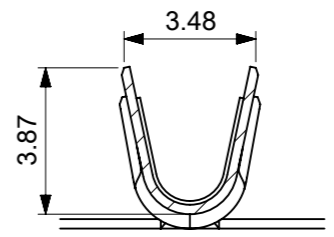
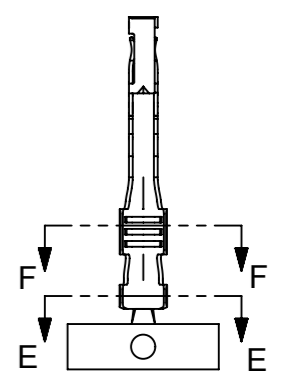
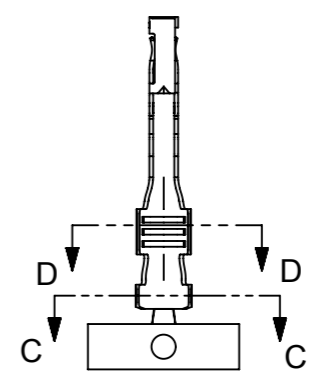
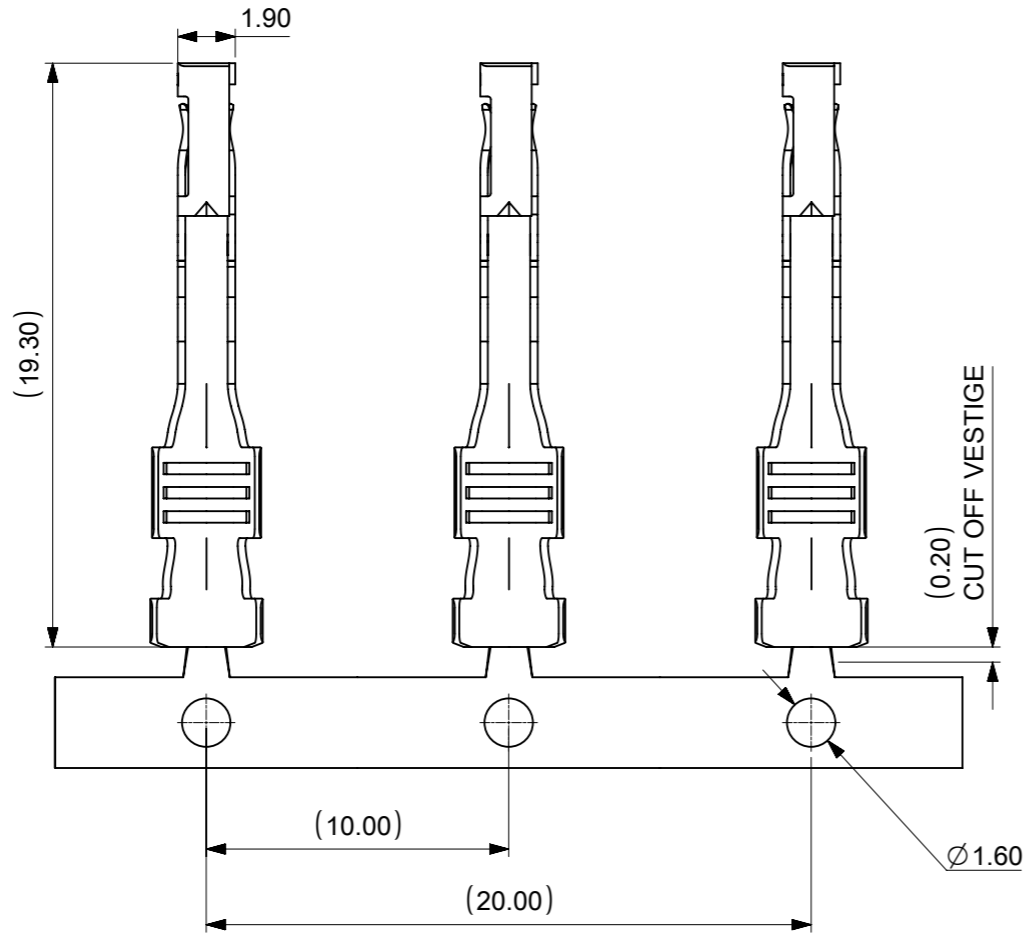
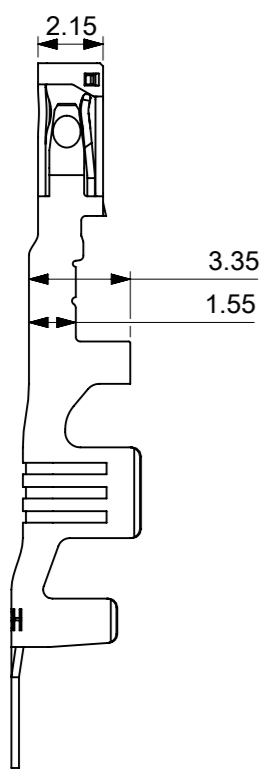


FINISHED RECEPTACLE TERMINALS		
PART NUMBER	CONTACT PLATING OPTION	CRIMP SIZE
212515-3101	REFLOW MATTE TIN	14AWG
212515-3102	REFLOW MATTE TIN	16AWG



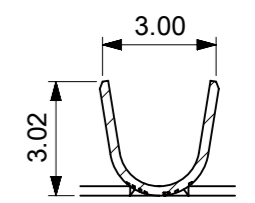
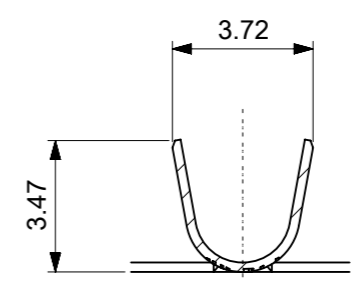
14 AWG CRIMP SIZE

16 AWG CRIMP SIZE



SECTION D-D SCALE 8:1

SECTION F-F SCALE 8:1



SECTION C-C SCALE 8:1

SECTION E-E SCALE 8:1

- NOTES:
1. MATERIAL: HIGH CONDUCTIVITY COPPER ALLOY
  2. PLATING FINISH:  
1.02μm(40μin)-2.54μm(100μin) REFLOW MATTE TIN OVER  
1.27μm(50μin) MINIMUM NICKEL.
  3. PRODUCT SPECIFICATION 2125150001-PS.
  4. PACKAGING SPECIFICATION 2125150001-PK.
  5. TERMINAL FOR USE WITH RECEPTACLE HOUSING SERIES 212514.
  6. MATES WITH: HEADER SERIES 212520.
  7. PART CONFORMS TO CLASS "B" REQUIREMENTS OF COSMETIC SPECIFICATION PS-45499-002.
  8. APPLICATION SPECIFICATION 2125150001-AS.
  9. RECOMMENDED INSULATOR  
14AWG WIRE - OD 2.78MM MAX.  
16AWG WIRE - OD 2.42MM MAX.

THIS DRAWING CONTAINS INFORMATION THAT IS PROPRIETARY TO MOLEX ELECTRONIC TECHNOLOGIES, LLC AND SHOULD NOT BE USED WITHOUT WRITTEN PERMISSION		CURRENT REV DESC:		<b>molex</b>	
DIMENSION UNITS	SCALE				
mm	NTS			MINI-FIT MAX RECEPT CRIMP TML	
GENERAL TOLERANCES (UNLESS SPECIFIED)				PRODUCT CUSTOMER DRAWING	
ANGULAR TOL	± °			DOCUMENT NUMBER	
4 PLACES	±	EC NO: 726892	2022/09/27	2125150001-SD	
3 PLACES	±	DRWN: ZIXUAQ	2022/11/15	DOC TYPE	DOC PART
2 PLACES	± 0.25	CHK'D: XQZHANG	2022/11/15	PSD	000
1 PLACE	± 0.5	APPR: XQZHANG		REVISION	
0 PLACES	±	INITIAL REVISION:		A1	
DRAFT WHERE APPLICABLE MUST REMAIN WITHIN DIMENSIONS		DRWN: SCHEN76	2020/04/24	SHEET NUMBER	
THIRD ANGLE PROJECTION		APPR: YXZHENG	2020/05/13	SEE CHART	GENERAL MARKET
DRAWING		SERIES	MATERIAL NUMBER	CUSTOMER	
A3-SIZE		212515		1 OF 1	

DOCUMENT STATUS	P1	RELEASE DATE	2022/11/15	03:37:38
-----------------	----	--------------	------------	----------