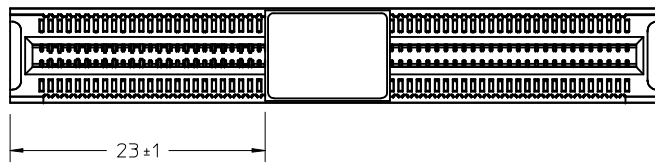
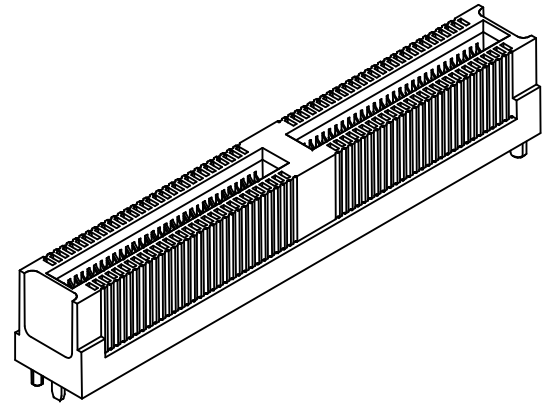
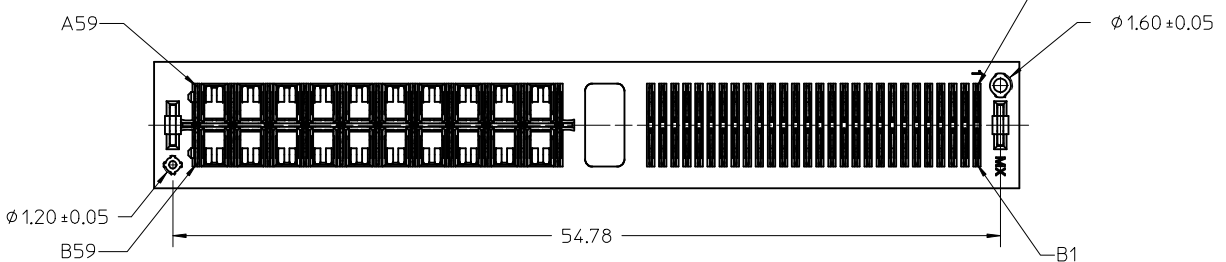
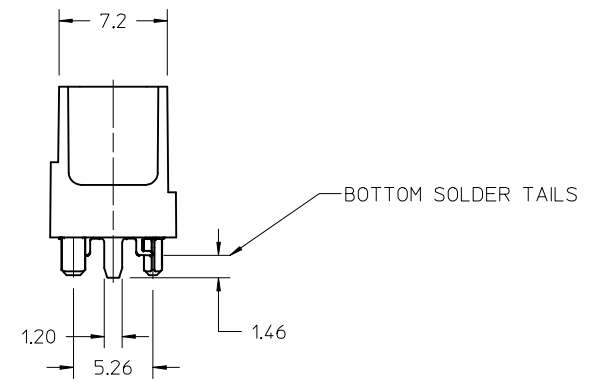
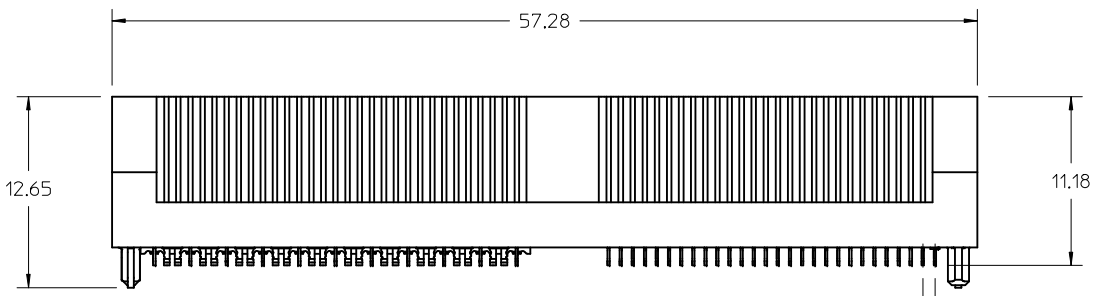


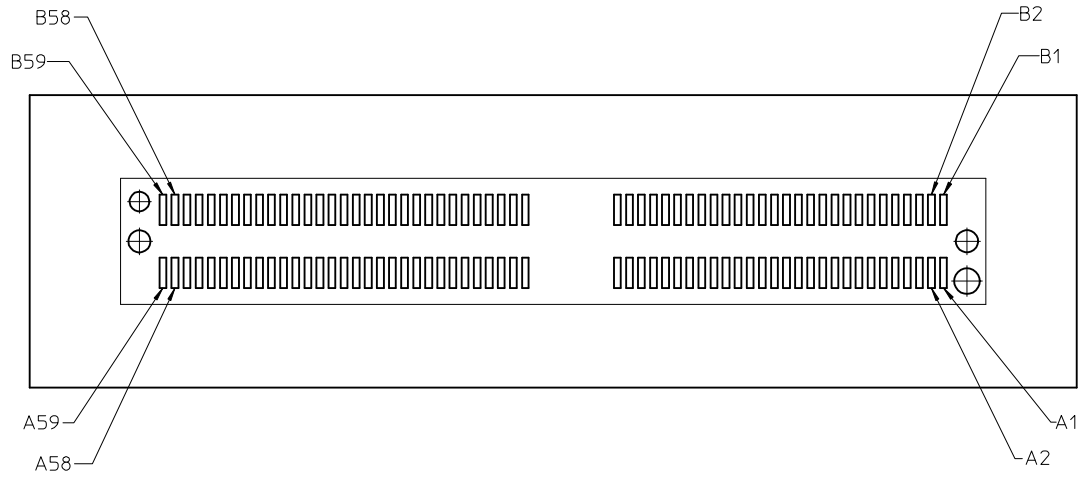
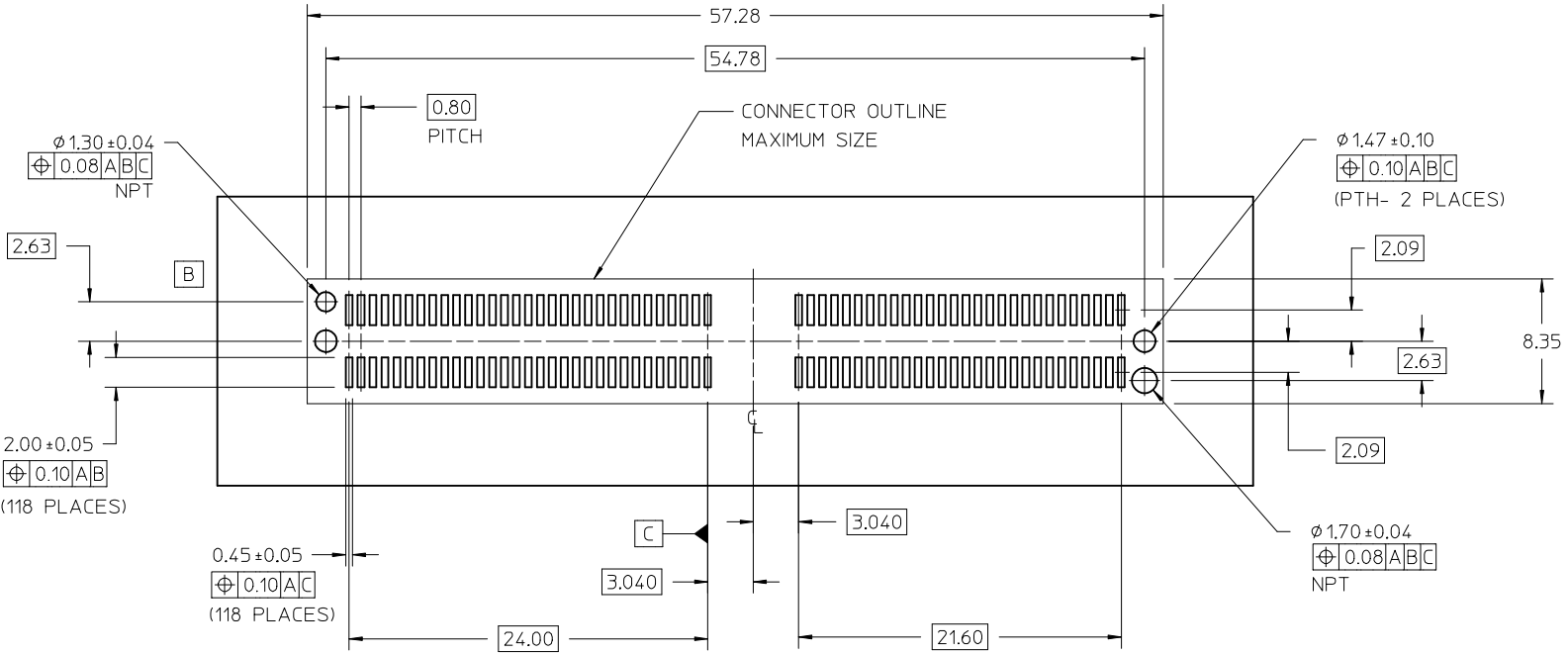
MATERIAL NUMBER	PACKAGING SPECIFICATION
1717742118	PK-171812-1000 (TUBE)
1717741118	PK-171812-2000 (TRAY)



PICK AND PLACE CAP POSITION

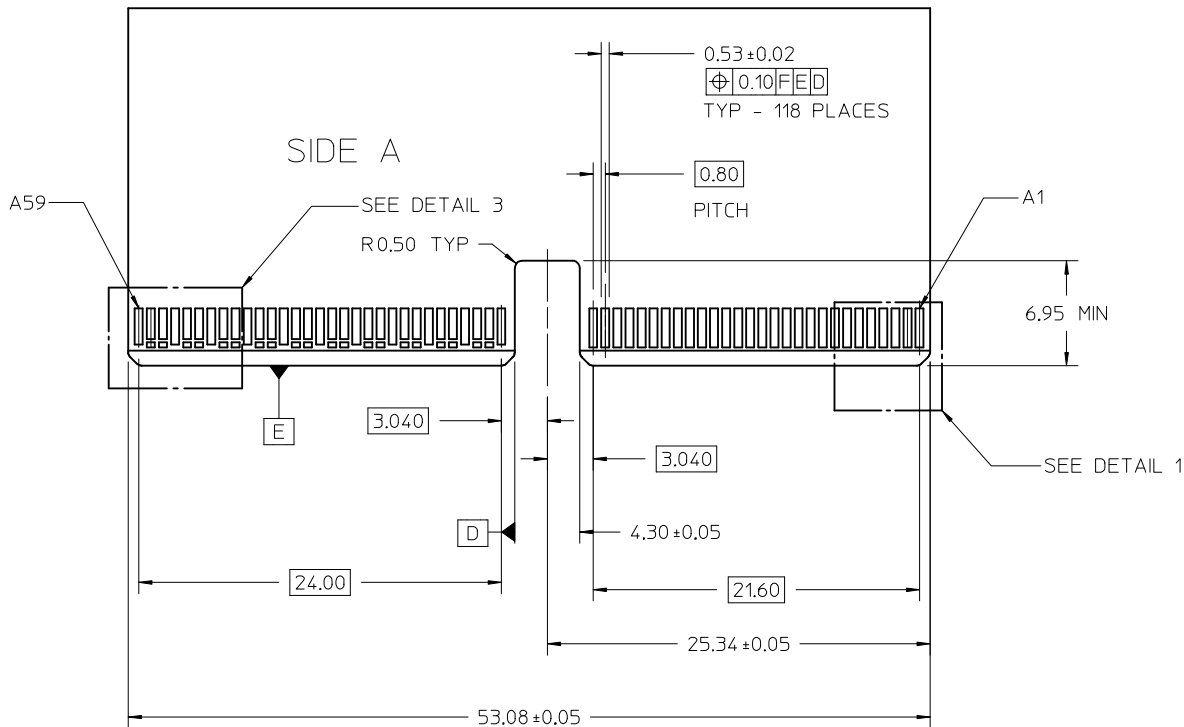
- NOTES:
- MATERIAL:
HOUSING - GLASS FILLED THERMOPLASTIC, 94-V0, BLACK
TERMINALS - HIGH PERFORMANCE COPPER ALLOY
 - FINISH:
CONTACT AREA: SELECT GOLD 0.76µm MIN
SOLDER TAIL: 2.54µm MIN TIN (MATTE)
UNDERPLATE: 1.27µm MIN NICKEL ALL OVER
 - PRODUCT SPECIFICATION: PS-171774-0001.
 - PACKAGING SPECIFICATION: REFER TO TABLE
 - APPLICATION SPECIFICATION: AS-171774-0001.
 - MATING PC BOARD THICKNESS = 1.60±0.16MM OVER CONTACT PADS.
 - PRODUCT IS ELV AND RoHS COMPLIANT. LEVEL OF COMPLIANCE: 6/6
ALL BANNED SUBSTANCES ARE REMOVED:
Pb (LEAD)
HEXAVALENT CHROMIUM (CrVI)
CADMIUM
MERCURY
POLYBROMINATED BIPHENYL (PBB)
POLYBROMINATED DIPHENYL ETHER (PBDE)
 - THIS PART CONFORMS TO CLASS B REQUIREMENTS OF COSMETIC SPEC PS-45499-002

REV	DESCRIPTION	QUALITY SYMBOLS	GENERAL TOLERANCES (UNLESS SPECIFIED)		DIMENSION STYLE		SCALE	DESIGN UNITS	THIRD ANGLE PROJECTION	
			mm	INCH	MM ONLY	DATE				
D	UPDATE EDGE CARD CHAMFER				DRAWN BY	DATE	4:1	METRIC	VERTICAL ZEDGE 118CKTS SALES DRAWING	
	EC NO: S2015-1457				DROSCA	2012/08/20				
	DRWIN:HL LONG		4 PLACES ± --- ± ---		CHECKED BY	DATE			MOLEX INCORPORATED	
	CHKD:CGTAN		3 PLACES ± --- ± ---		KPELOZA	2012/08/20				
	APPR:SHLENI		2 PLACES ± 0.15 ± ---		APPROVED BY	DATE			SD-171774-2118	
			1 PLACE ± 0.25 ± ---		JCOMERC I	2012/09/19				
			ANGULAR ± 5 °		MATERIAL NO.				SHEET NO. 1 OF 3	
			DRAFT WHERE APPLICABLE MUST REMAIN WITHIN DIMENSIONS		REFER TO TABLE					
			THIS DRAWING CONTAINS INFORMATION THAT IS PROPRIETARY TO MOLEX INCORPORATED AND SHOULD NOT BE USED WITHOUT WRITTEN PERMISSION							

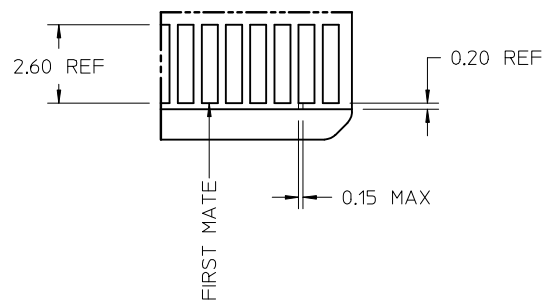
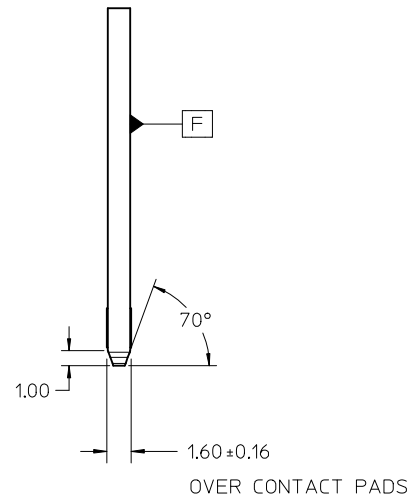


FOOT PRINT NOTES:
1. DATUM -A- IS THE TOP OF THE PCB.

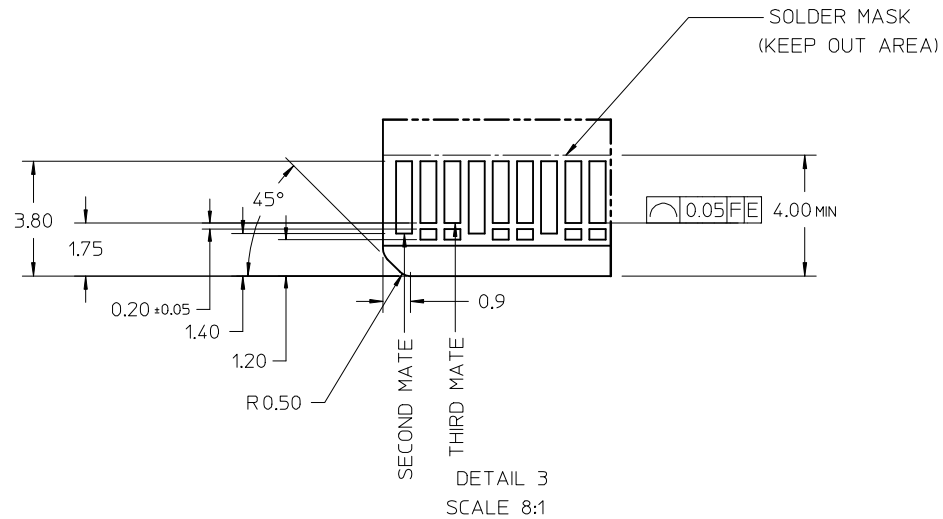
SEE SHEET 1 EC NO: S2015-1457 2015/12/31 DRAWN:WHL LONG CHKD:CGTAN 2016/01/05 APPR:SHLENI 2016/01/05	QUALITY SYMBOLS $\nabla = 0$ $\nabla = 0$ $\nabla = 0$	GENERAL TOLERANCES (UNLESS SPECIFIED)		DIMENSION STYLE MM ONLY		SCALE 4:1	DESIGN UNITS METRIC	THIRD ANGLE PROJECTION	
		4 PLACES ± --- ± --- 3 PLACES ± --- ± --- 2 PLACES ± 0.15 ± --- 1 PLACE ± 0.25 ± ---	mm INCH	DRAWN BY DROSCA	DATE 2012/08/20	TITLE VERTICAL ZEDGE 118CKTS SALES DRAWING			
		ANGULAR ± 5°		CHECKED BY KPELOZA	DATE 2012/08/20	APPROVED BY JCOMERC I			
D REV	DRAFT WHERE APPLICABLE MUST REMAIN WITHIN DIMENSIONS		MATERIAL NO. SEE SHEET 1		DOCUMENT NO. SD-171774-2118		SHEET NO. 2 OF 3		
THIS DRAWING CONTAINS INFORMATION THAT IS PROPRIETARY TO MOLEX INCORPORATED AND SHOULD NOT BE USED WITHOUT WRITTEN PERMISSION									



EDGECARD - 118 CIRCUITS



DETAIL 1
RECOMMENDED TIE BAR SIZE



NOTE:

1. THESE ARE GENERIC DETAILS THAT DESCRIBES THE CONFIGURATION OF VARIOUS PCB DESIGN ELEMENTS. THE CUSTOMER MUST DETERMINE WHERE AND WHEN TO USE EACH ELEMENT TO ACCOMODATE THEIR SPECIFIC APPLICATION.
2. CHAMFER ROUGHNESS NOT TO EXCEED 3.17µM
3. EDGECARD CHAMFER NOT TO GO THRU GOLD PAD.

SEE SHEET 1 EC NO: S2015-1457 DRWN:HL LONG 2015/12/31 CHKD:CG TAN 2016/01/05 APPR:SH LENI 2016/01/05	DESCRIPTION QUALITY SYMBOLS ▽=0 ▽=0	GENERAL TOLERANCES (UNLESS SPECIFIED)		DIMENSION STYLE MM ONLY		SCALE 4:1	DESIGN UNITS METRIC	THIRD ANGLE PROJECTION	
		4 PLACES ± --- ± ---	mm	INCH	DRAWN BY DROSCA	DATE 2012/08/20	TITLE VERTICAL ZEDGE 118CKTS SALES DRAWING		
		3 PLACES ± --- ± ---	mm	INCH	CHECKED BY KPELOZA	DATE 2012/08/20			
		2 PLACES ± 0.15 ± ---	mm	INCH	APPROVED BY JCOMERC I	DATE 2012/09/19	MATERIAL NO. DOCUMENT NO. MOLEX INCORPORATED		
DRAFT WHERE APPLICABLE MUST REMAIN WITHIN DIMENSIONS		ANGULAR ± 5 °		SEE SHEET 1		SD-171774-2118		SHEET NO. 3 OF 3	
THIS DRAWING CONTAINS INFORMATION THAT IS PROPRIETARY TO MOLEX INCORPORATED AND SHOULD NOT BE USED WITHOUT WRITTEN PERMISSION									