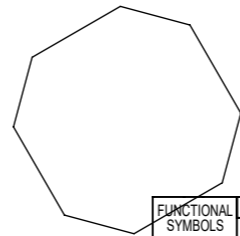


Technische Daten/TECHNICAL DATA		
Steckverbinder-Norm	IEC 60603-7-51	CONNECTOR STANDARD
Mechanische Eigenschaften		MECHANICAL CHARACTERISTICS
Steckkraft	< 30 N	INSERTION FORCE
Lebensdauer	> 750	LIFE
Kabelabzugskraft	min. 50 N	CABLE TO PLUG TENSILE STRENGTH
Werkstoffe		MATERIALS
Steckergehäuse	Zinkdruckguß vernickelt / ZINC DIECAST Ni PLATED	CONNECTING HOUSING
Kontaktgehäuse	PC UL 94 V0 glasklar / CRYSTAL CLEAR	CONTACT HOUSING
Adernvorsortierung	PC UL94 V0 weiss / WHITE	WIRE PRESORTING
Zugentlastung	PBT IL94 V0 schwarz / BLACK	STRAIN RELIEF
Verriegelungshebel, Staubschutzkappe	PBT UL94 V0 schwarz / BLACK	HOOK, PROTECTION CAP
Schirmblech	Federstahl, SPRING STEEL	SCREENING SHIELD
Leiterplatte	FR4 UL94 V0	PCB
Durchdring-Kontakte	Phosphor Bronze, min. 3...6 µm Sn	PIERCING CONTACTS
Schirmkontakt	Messing / BRASS 2,5µm N1	SHIELD CONTACT
Kontakte	Federstahl / SPRING STEEL 0,8 µm Au; 1,2 µm Ni	CONTACTS
Richtlinie 2011/65/EU (RoHS)	RoHS-konform / RoHS-COMPLIANT	DIRECTIVE 2001/65/EU (RoHS)
Adernanschluss		WIRE CONNECTION
Cu-Leiterdurchmesser (1300478009)	Massiv / SOLID 0,51 - 0,64 mm AWG24 - AWG 22/1 Litze / STRANDED 0,46 - 0,76 mm AWG27 - AWG22/7 *Litze / STRANDED 0,61 - 0,78 mm AWG24-AWG22/19	Cu-CONDUCTOR DIAMETER
Cu-Leiterdurchmesser (1300478011)	Massiv / SOLID 0,41 - 0,51 mm AWG26 - AWG24/1 Litze / STRANDED 0,46 - 0,61 mm AWG27 - AWG24/7 *Litze / STRANDED 0,51 mm AWG26/19	Cu-CONDUCTOR DIAMETER
Aderndurchmesser (1300478009)	1,0 - 1,6 mm	CORE DIAMETER
Aderndurchmesser (1300478011)	0,85 - 1,1 mm	INSULATION DIAMETER
Kabeldurchmesser	5,5 - 10,0 mm	CABLE DIAMETER

Anschluss / CONNECTION		Anwendung / APPLICATION					
Farbcode / COLOUR OF CODE T568		Profinet	RJ45 PIN Nr./NO.	10 BT / 100 BT	1 Gigabit/ 10 Gigabit Ethernet	Token Ring ISDN/So	Upo / TEL
A	B						
W - G	W - O	YE	1	•	•		
G	O	OG	2	•	•		
W - O	W - G	WH	3	•	•	•	
BL	BL	-	4	•	•	•	•
W - BL	W - BL	-	5	•	•	•	•
O	G	BU	6	•	•	•	
W - BR	W - BR	-	7		•		
BR	BR	-	8		•		

ENG.-NO: E6AS07-5

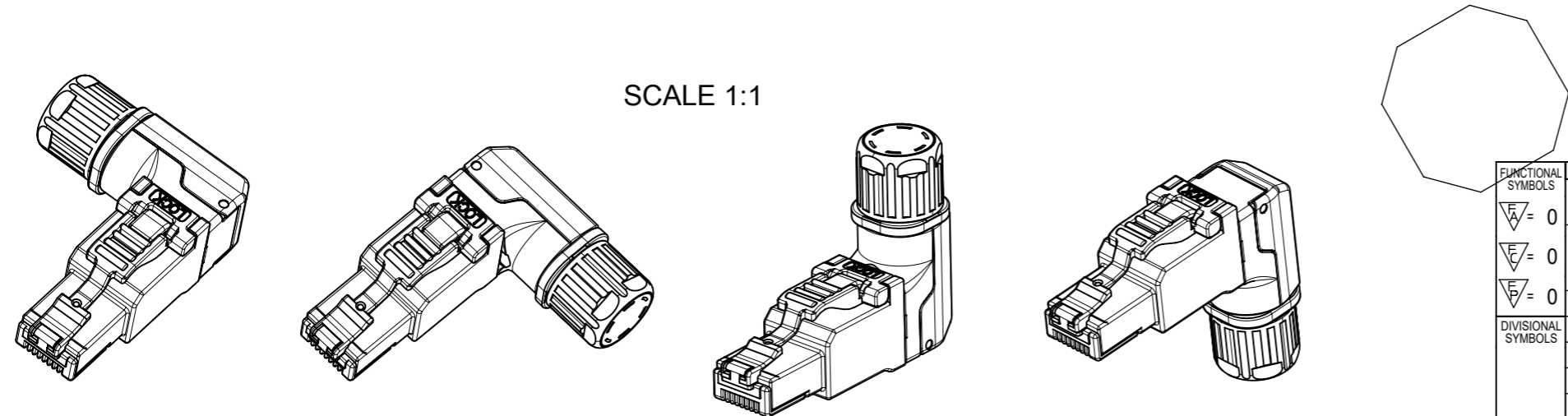


FUNCTIONAL SYMBOLS	THIS DRAWING CONTAINS INFORMATION THAT IS PROPRIETARY TO MOLEX ELECTRONIC TECHNOLOGIES, LLC AND SHOULD NOT BE USED WITHOUT WRITTEN PERMISSION	CURRENT REV DESC: SUPPLIER 3D-MODELS UPDATED		molex	
	DIMENSION UNITS: mm SCALE: 2:1 GENERAL TOLERANCES (UNLESS SPECIFIED): ANGULAR TOL ± 1.0° 4 PLACES ± 3 PLACES ± 2 PLACES ± 0.05 1 PLACE ± 0.3 0 PLACES ± 0.5	EC NO: 749863 DRWN: RSCHIEBER 2023/05/16 CHK'D: RSILLER 2023/05/17 APPR: RSILLER 2023/05/17	FA RJ45 CAT6A 8P MA RA SHLD IPC AWG22 PRODUCT CUSTOMER DRAWING		
DIVISIONAL SYMBOLS	DRAFT WHERE APPLICABLE MUST REMAIN WITHIN DIMENSIONS THIRD ANGLE PROJECTION DRAWING: A3-SIZE SERIES: 130047 MATERIAL NUMBER: SEE TABLE 1 CUSTOMER:	INITIAL REVISION: DRWN: KGRUEDL 2015/11/25 APPR: CBRUNS 2016/04/07	DOCUMENT NUMBER: 1300478009 DOC TYPE: PSD DOC PART: 000 REVISION: A2	SHEET NUMBER: 1 OF 2	

Technische Daten/TECHNICAL DATA		
Umweltanforderungen		EINVIENVIRONMENTAL REQUIREMENTS
Schutz vor Eindringen		PROTECTION AGAINST INGRESS
Eindringen von Teilchen / Wasser / Untertauchen	IP20	PARTICULATE INGRESS/ WATER/IMMERSION
Klimatisch und chemisch		CLIMATICAL AND CHEMICAL
Umgebungstemperatur	-40°C bis / TO +85°C	AMBIENT TEMPERATURE
Elektrische Eigenschaften		ELECTRICAL CHARACTERISTICS
Kontaktwiderstand	≤ 20 mΩ	CONTACT RESISTANCE
Isolationswiderstand	≥ 500MΩ	INSULATION RESISTANCE
Spannungsfestigkeit		VOLTAGE PROOF
Kontakt-Kontakt	≥ 1000 V, DC	CONTACT-CONTACT
Kontakt-Schirm	≥ 1500 V, DC	CONTACT-SHIELD
Strombelastbarkeit bei 50°C	1 A	CURRENT CARRYING CAPACITY AT 50°C
PoE+ gemäß IEEE 802.3at	Geeignet für Power over Ethernet+ ADEQUATE FOR POWER OVER ETHERNET+	POE+ ACCORDING TO IEEE 802.3AT
Übertragungstechnische Eigenschaften**		TRANSMISSION PERFORMANCE **
10 Gigabit Ethernet gemäß IEEE 802.3an	Geeignet für 10 Gigabit Ethernet ADEQUATE FOR 10 GIGABIT ETHERNET	10 GIGABIT ETHERNET ACC. TO IEEE 802.3AN
Kategorie 6A	ISO/IEC 11801; DIN EN 50173 - 1	CATEGORY 6A
Klasse EA	ISO/IEC 11801; DIN EN 50173 - 1	CLASS 6A
Kategorie 6A	ANSI/ITA/EIA-568-C.2	CATEGORY 6A
Normen		STANDARDS
IP-Schutzarten	IEC 60529	DEGREES OF PROTECTION PROVIDED BY ENCLOSURES (IP CODE)
Anwendungsneutrale Kommunikationsanlagen	ANSI/TIA/EIA-568-C.2;ISO/IEC 11801; DIN EN 50173-1	GENERIC CABLE SYSTEMS
Zulassung		APPROVAL
UL-gelistet	E361772	UL LISTED

TABLE 1

MATERIAL NO. / Material Nr.	DESCRIPTION / Beschreibung	AWG / Litzenquerschnitt	COLOR CODE / Farbcode
1300478009	FA RJ45 CAT6A 8P MA RA SHLD IPC AWG22	AWG24 - AWG22/1 / AWG27 - AWG22/7	T 568 B
1300478011	FA RJ45 CAT6A 8P MA RA SHLD IPC AWG26	AWG26 - AWG24/1 / AWG27 - AWG24/7	T 568 B



FUNCTIONAL SYMBOLS		THIS DRAWING CONTAINS INFORMATION THAT IS PROPRIETARY TO MOLEX ELECTRONIC TECHNOLOGIES, LLC AND SHOULD NOT BE USED WITHOUT WRITTEN PERMISSION	
▽A = 0	mm	SCALE	1:1
▽E = 0	GENERAL TOLERANCES (UNLESS SPECIFIED)		
▽D = 0	ANGULAR TOL ± 1.0 °		
DIVISIONAL SYMBOLS		CURRENT REV DESC: SUPPLIER 3D-MODELS UPDATED	
4 PLACES	±	EC NO: 749863	
3 PLACES	±	DRWN: RSCHIEBER 2023/05/16	
2 PLACES	± 0.05	CHK'D: RSILLER 2023/05/17	
1 PLACE	± 0.3	APPR: RSILLER 2023/05/17	
0 PLACES	± 0.5	INITIAL REVISION:	
DRAFT WHERE APPLICABLE MUST REMAIN WITHIN DIMENSIONS		DRWN: KGRUEDL 2015/11/25	2016/04/07
THIRD ANGLE PROJECTION		DRAWING	SERIES
A3-SIZE		130047	MATERIAL NUMBER
SEE TABLE 1		CUSTOMER	SHEET NUMBER
			2 OF 2