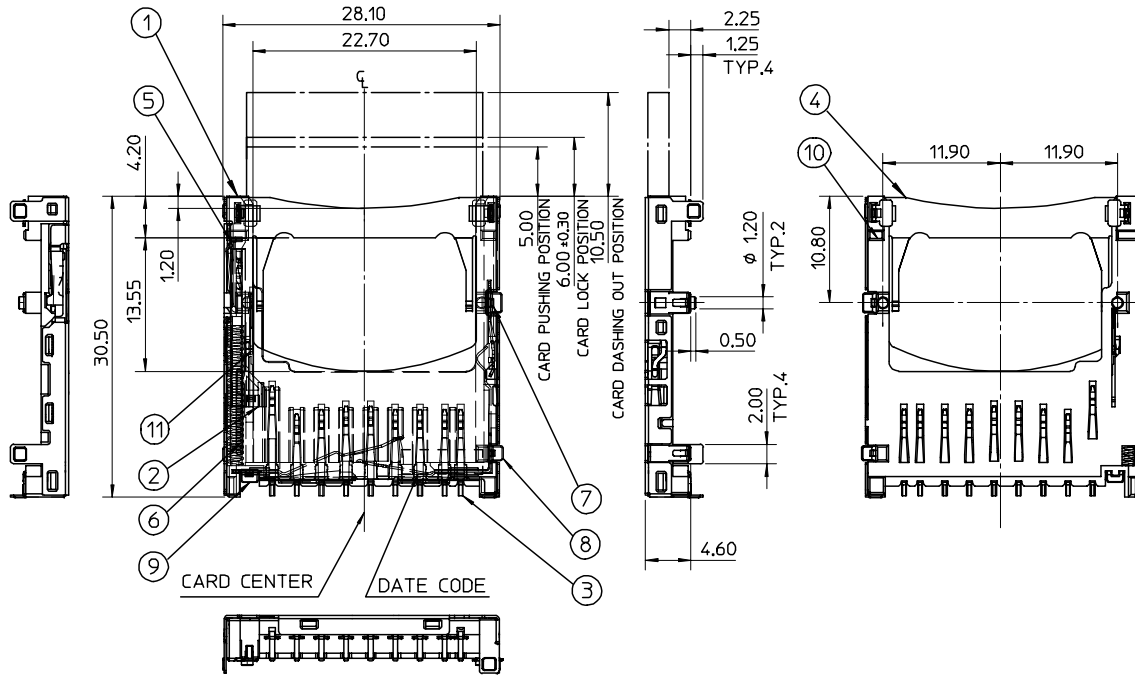
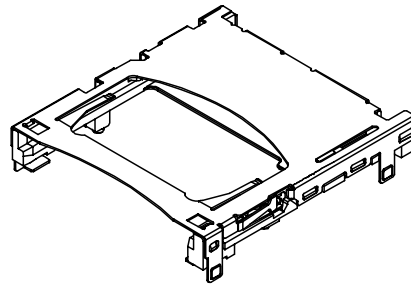
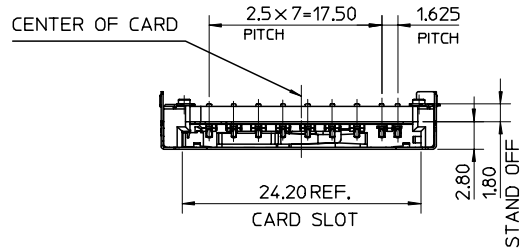


10 9 8 7 6 5 4 3 2 1



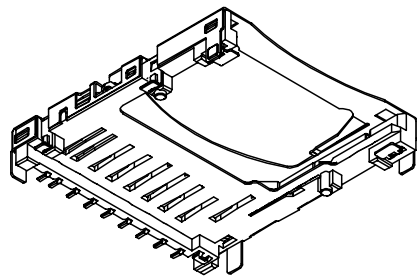
- NOTES:
- 1.TERMINAL AND NAIL COPLANARITY TO BE 0.1 MAX.
 - 2.WHEN DELIVERING, THE PUSH/PUSH MECHANISM IS IN THE STATE OF THE UNLOCK.(CARD DASHING OUT POSITION)
 - 3.CARD READ ONLY BY THE TIME THE CARD DETECTION SWITCH WORKS.
 - 4.OPENING AND CLOSE OF EACH SWITCH.

CARD INSERTION STATUS	WRITE PROTECT SWITCH		DETECT SWITCH
	WRITE PROTECT POSITION	WRITE ENABLE POSITION	
CARD UNINSERTION	OPEN	OPEN	OPEN
CARD HALF INSERTION	CLOSE	CLOSE	OPEN
CARD INSERTION	OPEN	CLOSE	CLOSE

5.MATERIAL AND FINISH AS BELOW

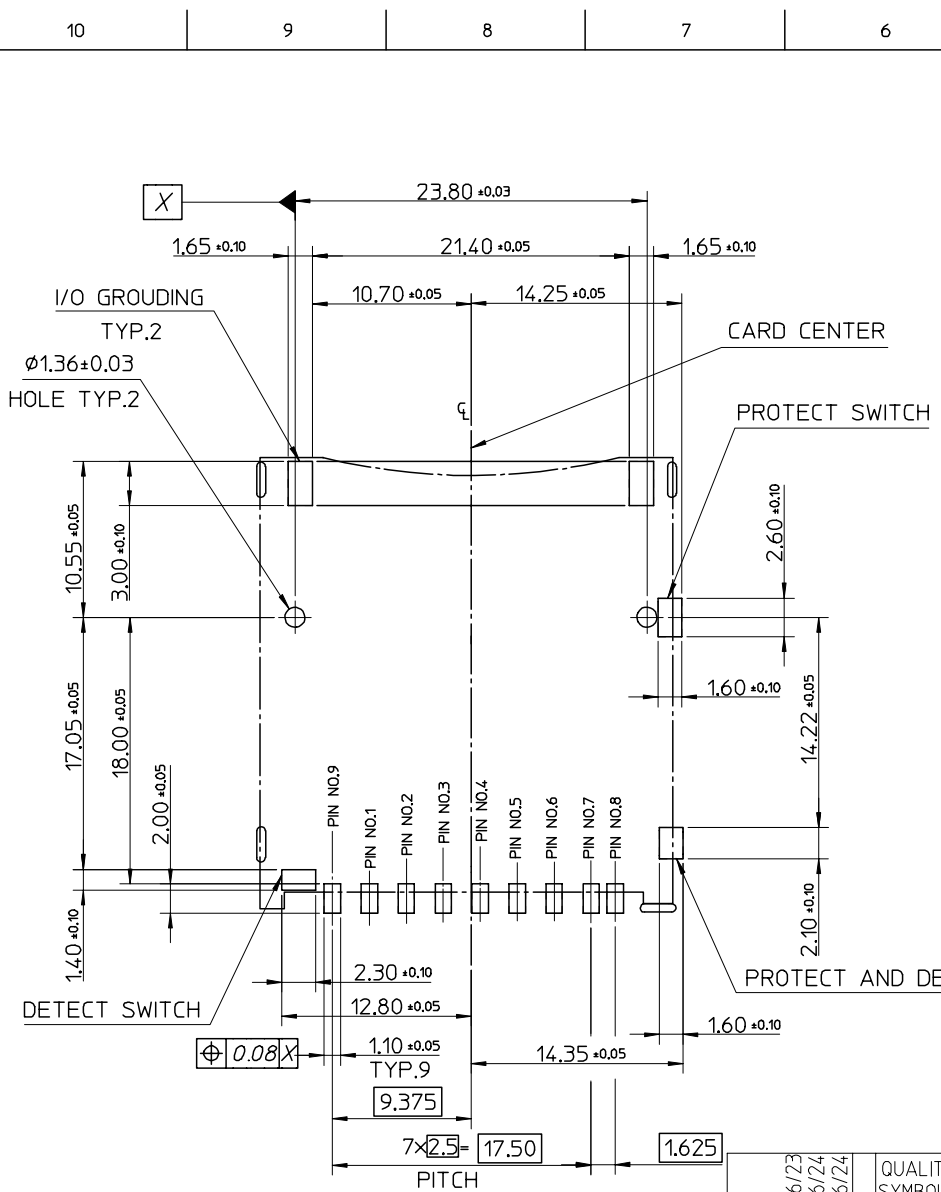
NO	NAME	QT'Y	MATERIAL
1	HOUSING	1	LCP,UL 94V-0,COLOR:BLACK
2	HEART CAM	1	LCP,UL 94V-0,COLOR:BLACK
3	TERMINAL	9	COPPER ALLOY,SELECTIVE Au PLATING
4	METAL SHELL	1	STAINLESS STEEL
5	PIN	1	STAINLESS STEEL
6	SPRING	1	STEEL WIRE
7	PROTECT TERMINAL	1	COPPER ALLOY, SELECTIVE Au PLATING
8	PROTECT AND DETECT TERMINAL	1	COPPER ALLOY, SELECTIVE Au PLATING
9	DETECT TERMINAL	1	COPPER ALLOY, SELECTIVE Au PLATING
10	NAIL	2	COPPER ALLOY, TIN-LEAD PLATING
11	CARD LOCK	1	STAINLESS STEEL

6. PRODUCT SPECIFICATION : PER PS-67840-001
7. I/O CONTACTS, BASE ON SD I/O ASSOC. REV. G.
8. THIS HAS A LOCK MECHANISM FOR SD CARD,IT DOES NOT WORK FOR THE MMC. CARD AT LOCK POSITION, IF PULLED OUT MANUALLY. THE NEXT CARD INSERTED WILL BE EJECTED.
9. RECOMMENED P.CBOARD THICKNESS: 0.8±0.1
10. PACKAGING REFERS TO PK-67840-001

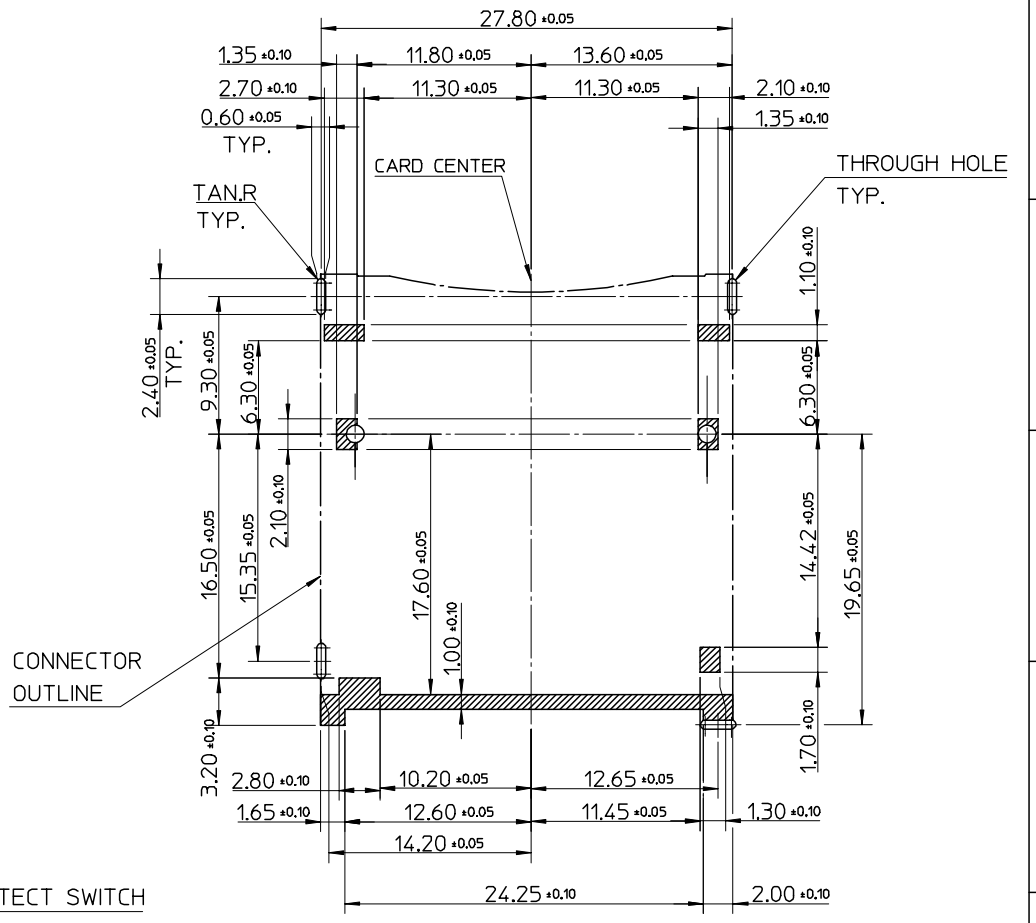


NEW RELEASE EC NO: T2003-0281 DRAWN:YCHANG 2003/06/23 CHKD: 2003/06/24 APPR: WWSCHANG03/06/24	QUALITY SYMBOLS	GENERAL TOLERANCES (UNLESS SPECIFIED)	SCALE 2:1	DESIGN UNITS METRIC	THIRD ANGLE PROJECTION	REVISE ON CAD ONLY
	▽ - 0	4 PLACES ± --- ± ---	DIMENSION STYLE MM ONLY	TITLE	SD MEMORY CARD CONN. ASS'Y (TOP MOUNT TYPE 1.8MM STAND OFF)	
	∇ - 0	3 PLACES ± --- ± ---	DRAWN BY DATE	MOLEX INCORPORATED		
	∇ - 0	2 PLACES ± 0.25 ± ---	MAX 2002/12/03	MATERIAL NO. 67840-0001 DOCUMENT NO. SD-67840-001 SHEET NO. 1 OF 3		
		1 PLACE ± 0.25 ± ---	CHECKED BY DATE	THIS DRAWING CONTAINS INFORMATION THAT IS PROPRIETARY TO MOLEX INCORPORATED AND SHOULD NOT BE USED WITHOUT WRITTEN PERMISSION		
		ANGULAR ± 3 °	APPROVED BY DATE			
		DRAFT WHERE APPLICABLE	ERICK 2002/12/03			
		MUST REMAIN WITHIN DIMENSIONS				

9 8 7 6 5 4 3 2 1



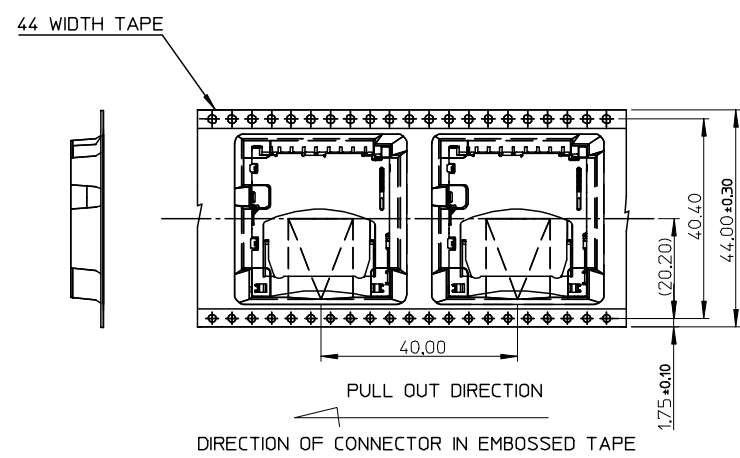
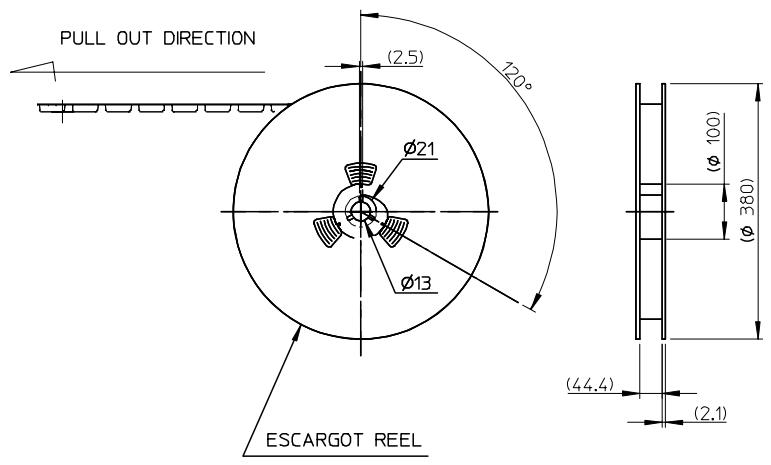
RECOMMENDED PCB PATTERN LAYOUT



CONNECTOR OUTLINE

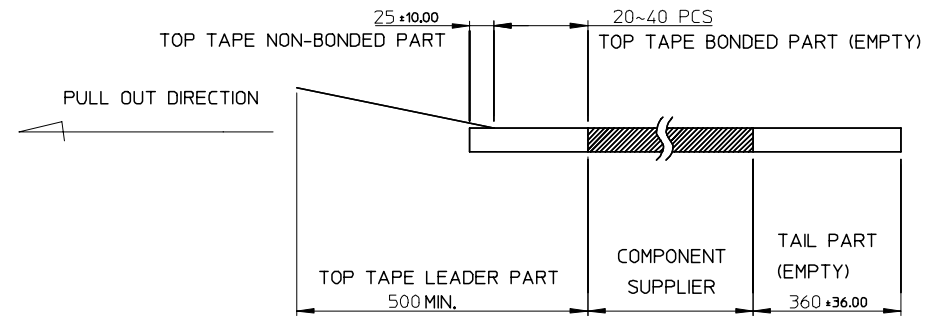
NEW RELEASE	EC NO:	QUALITY SYMBOLS	GENERAL TOLERANCES (UNLESS SPECIFIED)	SCALE	DESIGN UNITS	THIRD ANGLE PROJECTION	REVISE ON CAD ONLY
	DRAWN: YCHANG 2003/06/23	▽ = 0	mm INCH	3:1	METRIC	⊙	
	CHKD: 2003/06/24	∇ = 0	4 PLACES ± --- ± ---	DIMENSION STYLE	MM ONLY	TITLE	
	APPR: WWSCHANG 2003/06/24	∠ = 0	3 PLACES ± --- ± ---	2 PLACES ± 0.25 ± ---	MAX	2002/12/03	SD MEMORY CARD CONN. ASS'Y (TOP MOUNT TYPE 1.8MM STAND OFF)
	∠ = 0	1 PLACE ± 0.25 ± ---	ANGULAR ± 3 °	CHECKED BY	DATE	MOLEX INCORPORATED	
	∠ = 0		DRAFT WHERE APPLICABLE	APPROVED BY	DATE	MATERIAL NO.	DOCUMENT NO.
			MUST REMAIN WITHIN DIMENSIONS	ERICK	2002/12/03	67840-0001	SD-67840-001
				THIS DRAWING CONTAINS INFORMATION THAT IS PROPRIETARY TO MOLEX INCORPORATED AND SHOULD NOT BE USED WITHOUT WRITTEN PERMISSION			

A3

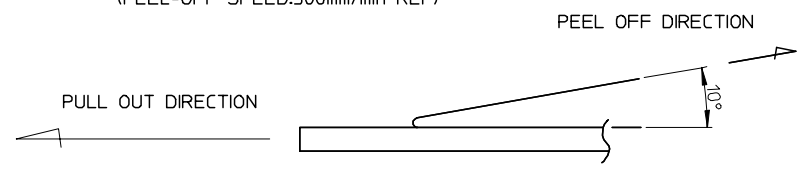


NOTES:

1. NUMBER OF CONNECTORS: 250 PCS/REEL
- 2.



3. PEEL-OFF FORCE OF TOP TAPE: 0.1~1.3N (10.2~130gf)
(PEELING DIRECTION AS SHOWN IN FOLLOWING FIGURE.)
(PEEL-OFF SPEED:300mm/min REF)



NEW RELEASE EC NO: T2003-0281 DRWN: YCHANG 2003/06/23 CHKD: 2003/06/24 APPR: WWSCHAN2003/06/24	QUALITY SYMBOLS	GENERAL TOLERANCES (UNLESS SPECIFIED)	SCALE 1:1	DESIGN UNITS METRIC	THIRD ANGLE PROJECTION	REVISE ON CAD ONLY
	▼ = 0	mm INCH	DIMENSION STYLE MM ONLY		TITLE	
	∇ = 0	4 PLACES ± --- ± ---	DRAWN BY DATE		SD MEMORY CARD CONN. ASS'Y (TOP MOUNT TYPE 1.8MM STAND OFF)	
	∇ = 0	3 PLACES ± --- ± ---	MAX 2002/12/03		MOLEX INCORPORATED	
∇ = 0	2 PLACES ± 0.25 ± ---	CHECKED BY DATE		MATERIAL NO. DOCUMENT NO. SHEET NO.		
∇ = 0	1 PLACE ± 0.25 ± ---	WILSON 2002/12/03		ENTER-PART SD-67840-001 3 OF 3		
∇ = 0	ANGULAR ± 3°	APPROVED BY DATE		THIS DRAWING CONTAINS INFORMATION THAT IS PROPRIETARY TO MOLEX INCORPORATED AND SHOULD NOT BE USED WITHOUT WRITTEN PERMISSION		
	DRAFT WHERE APPLICABLE	ERICK 2002/12/03		A3		
	MUST REMAIN WITHIN DIMENSIONS					