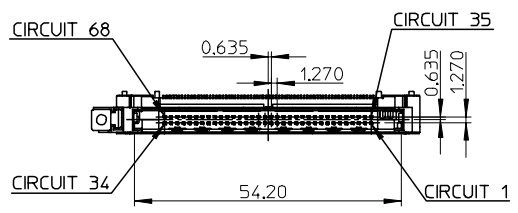
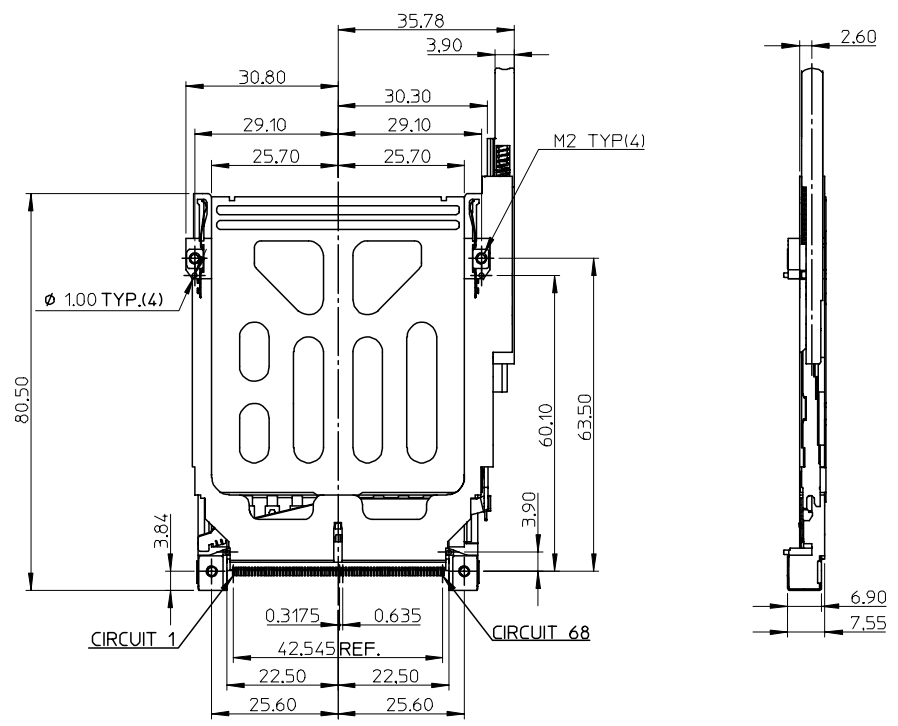
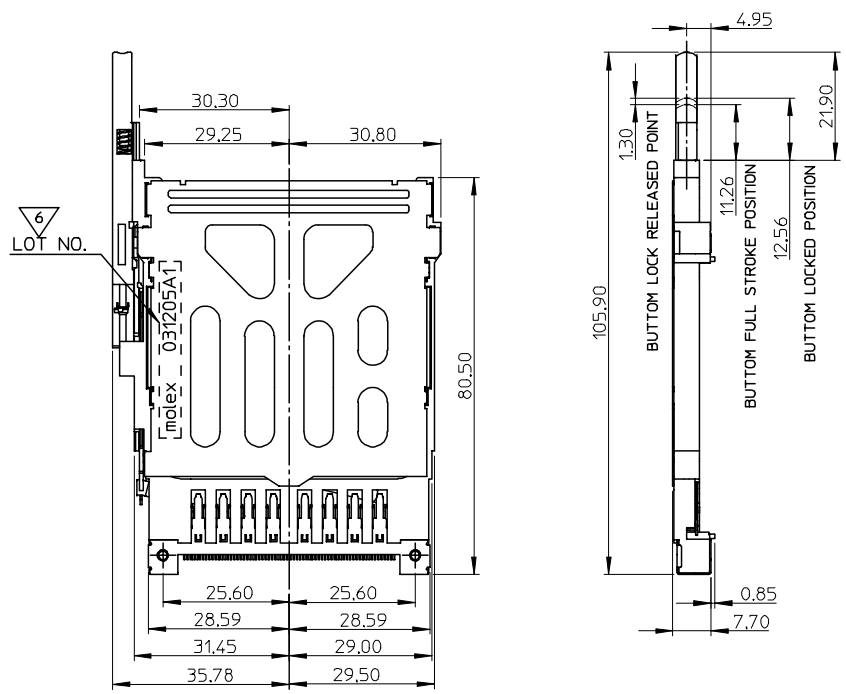


10 9 8 7 6 5 4 3 2 1

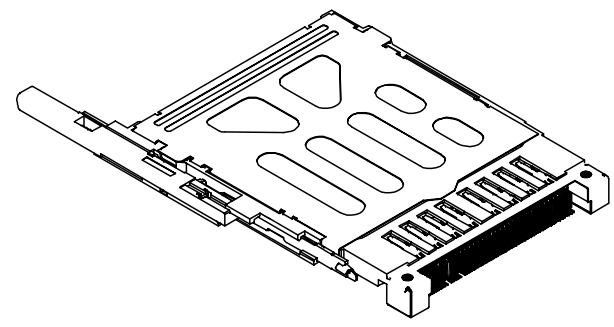
F



E



B



A

ADD RIB EC NO: T2004-0121 DRAWN:EVITA 2004/03/30 CHKD: APPR:	QUALITY SYMBOLS ▴ - 0 ▽ - 0 S - 0	GENERAL TOLERANCES (UNLESS SPECIFIED) <table border="1"> <thead> <tr> <th></th> <th>mm</th> <th>INCH</th> </tr> </thead> <tbody> <tr> <td>4 PLACES</td> <td>± ---</td> <td>± ---</td> </tr> <tr> <td>3 PLACES</td> <td>± ---</td> <td>± ---</td> </tr> <tr> <td>2 PLACES</td> <td>± 0.25</td> <td>± ---</td> </tr> <tr> <td>1 PLACE</td> <td>± 0.25</td> <td>± ---</td> </tr> <tr> <td colspan="3">ANGULAR ± 3 °</td> </tr> </tbody> </table> DRAFT WHERE APPLICABLE MUST REMAIN WITHIN DIMENSIONS		mm	INCH	4 PLACES	± ---	± ---	3 PLACES	± ---	± ---	2 PLACES	± 0.25	± ---	1 PLACE	± 0.25	± ---	ANGULAR ± 3 °			SCALE 1:1 DESIGN UNITS METRIC DIMENSION STYLE MM ONLY DRAWN BY DATE ALLIN '02/12/27 CHECKED BY DATE WWSCHANG '02/12/27 APPROVED BY DATE ELAN '02/12/27	THIRD ANGLE PROJECTION REVISE ON CAD ONLY TITLE ONE SLOT CARDBUS EJECT MECHANISM CONNECTOR EXTEND 2.2 MM molex MOLEX INCORPORATED MATERIAL NO. 67822-2201 DOCUMENT NO. SD-67822-002 SHEET NO. 1 OF 3
		mm	INCH																			
	4 PLACES	± ---	± ---																			
	3 PLACES	± ---	± ---																			
2 PLACES	± 0.25	± ---																				
1 PLACE	± 0.25	± ---																				
ANGULAR ± 3 °																						
THIS DRAWING CONTAINS INFORMATION THAT IS PROPRIETARY TO MOLEX INCORPORATED AND SHOULD NOT BE USED WITHOUT WRITTEN PERMISSION																						
A3																						
A3																						

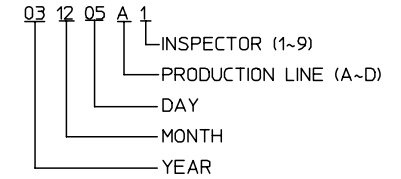
9 8 7 6 5 4 3 2 1

NO	NAME	MATERIAL	PLATING	PIECE
1	HOUSING	LIQUID CRYSTAL POLYMER, GLASS FILLED, UL-94-V0, COLOR : NATURAL(BLACK)		1
2	COVER PLATE	STEEL		1
3	GROUND TERMINAL	PHOSPHOR BRONZE	CONTACT AREA : GOLD, 0.3MICROMETER MIN. SOLDER AREA : TIN-LEAD, 0.2 MICROMETER MIN. UNDER PLATING : NICKEL	1
4	LEVER	STAINLESS		1
5	PUSH ROD	STAINLESS		1
6	SPRING PLATE	PHOSPHOR BRONZE		1
7	PIN PLATE	STAINLESS	ALL SURFACE : TIN-LEAD, 1.0 MIRCOMETER MIN. UNDER PLATING : NICKEL	1
8	COIL SPRING	STEEL		1
9	SLIDER	LIQUID CRYSTAL POLYMER, GLASS FILLED, UL-94-V0, COLOR : NATURAL(BLACK)		1
10	GROUND PLATE RIGHT	STEEL	ALL SURFACE : NICKEL, 3.0 MIRCOMETER MIN. UNDER PLATING : COPPER	1
11	GROUND PLATE LEFT			1
12	TERMINAL	PHOSPHOR BRONZE	CONTACT AREA : GOLD, 0.5MICROMETER MIN. SOLDER AREA : TIN-LEAD, 1.0 MICROMETER MIN. UNDER PLATING : NICKEL	68
13	NUT PLATE (M2)	STAINLESS		2
14	HEX NUT (M2)	STAINLESS	NICKEL	2

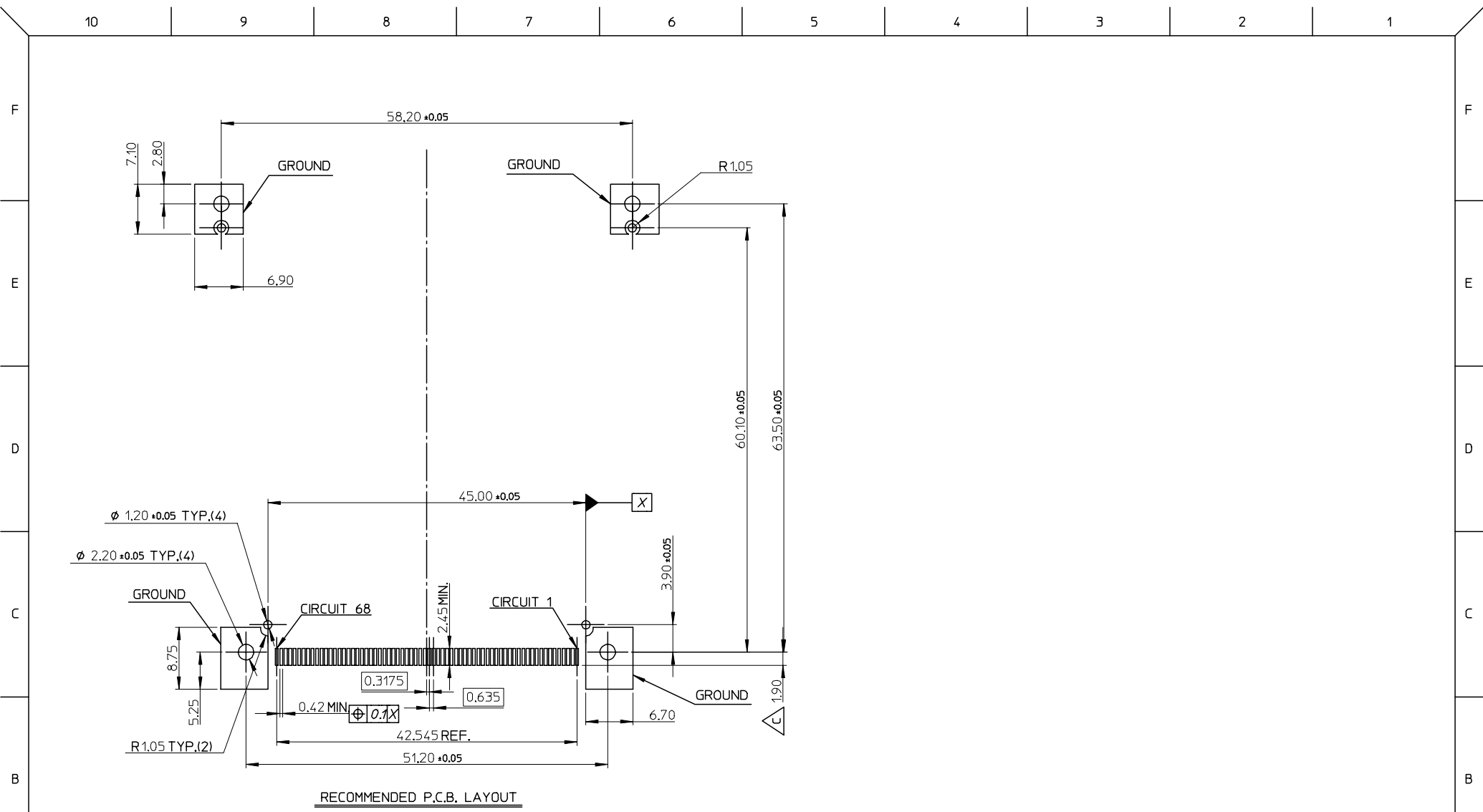
NOTES :

1. MATERIAL : SEE TABLE
2. PLATING : SEE TABLE
3. COPLANARITY TO BE 0.1mm MAX.
4. PRODUCT SPECIFICATION : PS-67822-001.
5. PACKAGE SPECIFICATION : PK-67822-002.

▽ LOT NO. TO BE PRINTED LETTER HEIGHT:2.9mm
COLOR:BLACK.



See Sheet 1 EC NO: T2004-0121 DRAWN:EVITA 2004/03/30 CHKD: APPR:	QUALITY SYMBOLS	GENERAL TOLERANCES (UNLESS SPECIFIED)	SCALE 1:1	DESIGN UNITS METRIC	THIRD ANGLE PROJECTION	REVISE ON CAD ONLY
	▽ = 0	mm INCH	DIMENSION STYLE MM ONLY		TITLE ONE SLOT CARDBUS EJECT MECHANISM CONNECTOR EXTEND 2.2 MM	
	∇ = 0	4 PLACES ± --- ± ---	DRAWN BY ALLIN	DATE '02/12/27	molex MOLEX INCORPORATED	
	∇ = 0	3 PLACES ± --- ± ---	CHECKED BY WWSCHANG	DATE '02/12/27		
	∇ = 0	2 PLACES ± 0.25 ± ---	DRAFT WHERE APPLICABLE MUST REMAIN WITHIN DIMENSIONS		MATERIAL NO. 67822-2201	DOCUMENT NO. SD-67822-002
∇ = 0	1 PLACE ± 0.25 ± ---	APPROVED BY ELAN		DATE '02/12/27	THIS DRAWING CONTAINS INFORMATION THAT IS PROPRIETARY TO MOLEX INCORPORATED AND SHOULD NOT BE USED WITHOUT WRITTEN PERMISSION	
						A3



RECOMMENDED P.C.B. LAYOUT

See sheet 1 EC NO: T2004-0121 DRAWN: EVITA 2004/03/30 CHKD: APPR:	QUALITY SYMBOLS ▽ = 0 ▽ = 0 ▽ = 0	GENERAL TOLERANCES (UNLESS SPECIFIED) <table border="1"> <thead> <tr> <th></th> <th>mm</th> <th>INCH</th> </tr> </thead> <tbody> <tr> <td>4 PLACES</td> <td>± ---</td> <td>± ---</td> </tr> <tr> <td>3 PLACES</td> <td>± ---</td> <td>± ---</td> </tr> <tr> <td>2 PLACES</td> <td>± 0.25</td> <td>± ---</td> </tr> <tr> <td>1 PLACE</td> <td>± 0.25</td> <td>± ---</td> </tr> </tbody> </table>		mm	INCH	4 PLACES	± ---	± ---	3 PLACES	± ---	± ---	2 PLACES	± 0.25	± ---	1 PLACE	± 0.25	± ---	SCALE 2:1 DESIGN UNITS METRIC DIMENSION STYLE MM ONLY	THIRD ANGLE PROJECTION REVISE ON CAD ONLY
		mm	INCH																
	4 PLACES	± ---	± ---																
	3 PLACES	± ---	± ---																
2 PLACES	± 0.25	± ---																	
1 PLACE	± 0.25	± ---																	
	DRAFT WHERE APPLICABLE MUST REMAIN WITHIN DIMENSIONS	DRAWN BY ALLIN CHECKED BY WWSCHANG APPROVED BY ELAN	DATE '02/12/27 DATE '02/12/27 DATE '02/12/27	TITLE ONE SLOT CARBUS EJECT MECHANISM CONNECTOR EXTEND 2.2 MM MOLEX INCORPORATED															
		MATERIAL NO. 67822-2201 DOCUMENT NO. SD-67822-002 SHEET NO. 3 OF 3	THIS DRAWING CONTAINS INFORMATION THAT IS PROPRIETARY TO MOLEX INCORPORATED AND SHOULD NOT BE USED WITHOUT WRITTEN PERMISSION	A3															