

- 注記NOTES
- 使用材料
MATERIAL
ハウジング: ポリアミド(PA)、ガラス充填、UL94V-0、ナチュラル(白)
HOUSING: POLYAMIDE, GLASS FILLED, UL94V-0, NATURAL (WHITE)
アクチュエータ: ポリフェニレンサルファイド (PPS)、ガラス充填、UL94V-0、黒
ACTUATOR: POLYPHENYLENE SULFIDE, GLASS FILLED, UL94V-0, BLACK
ターミナル: リン青銅、(t=0.2)
TERMINAL: PHOSPHOR BRONZE
金具: リン青銅、(t=0.2)
FITTING NAIL: PHOSPHOR BRONZE
 - めっき仕様
PLATING
ターミナル TERMINAL
錫銀ビスマスめっき (1.0 μ m以上)
下地: ニッケルめっき (1.0 μ m以上)
TIN SILVER BISMUTH PLATING (1.0 MICROMETER MINIMUM)
UNDER PLATE: NICKEL PLATING (1.0 MICROMETER MINIMUM)
金具 FITTING NAIL
錫めっき (1.0 μ m以上)
下地: ニッケルめっき (1.0 μ m以上)
TIN PLATING (1.0 MICROMETER MINIMUM)
UNDER PLATE: NICKEL PLATING (1.0 MICROMETER MINIMUM)
 - エンボステープ梱包時は、アクチュエータがロックした状態になります。
IN THE PACKAGE, ACTUATOR SHOULD BE LOCKED.
- △4 偶数極に適用
APPLY FOR EVEN CIRCUIT.
- △5 パターン剥離止め金具
FITTING NAIL FOR PREVENTION OF PEELING OF P.W.B. PATTERN.
- △6 R0.3は、FPCの導体部にかからないこと
R0.3 MUST NOT BE OVERLAPED TO PATTERN OF FPC.
- △7 ソルダーテール方向のズレ量、及び金具半田付け面のずれ量は、基準面 H に対し上方向0.1 MAX、下方向0.15MAXとする。
MISALIGNMENT OF SOLDER TAILS AND FITTING NAILS FROM H UPPER DIRECTION 0.1 MAX., LOWER DIRECTION 0.15 MAX.
8. ELV及びRoHS適合品
ELV AND RoHS COMPLIANT.

16.1	14.3	10.65	9.5	52745-2033	20
15.6	13.8	10.15	9	52745-1933	19
15.1	13.3	9.65	8.5	52745-1833	18
14.6	12.8	9.15	8	52745-1733	17
14.1	12.3	8.65	7.5	52745-1633	16
13.6	11.8	8.15	7	52745-1533	15
13.1	11.3	7.65	6.5	52745-1433	14
12.6	10.8	7.15	6	52745-1333	13
12.1	10.3	6.65	5.5	52745-1233	12
11.6	9.8	6.15	5	52745-1133	11
11.1	9.3	5.65	4.5	52745-1033	10
10.6	8.8	5.15	4	52745-0933	9
10.1	8.3	4.65	3.5	52745-0833	8
9.6	7.8	4.15	3	52745-0733	7
9.1	7.3	3.65	2.5	52745-0633	6
8.1	6.3	2.65	1.5	52745-0433	4
D	C	B	(A)	EMBOSSD PACKAGE	極数
				ORDER No. オーダー番号	CKT.

CONNECTOR SERIES NO. : 52745-**22

GENERAL TOLERANCES (UNLESS SPECIFIED)	
10 UNDER	± 0.2
10 OVER 30 UNDER	± 0.25
30 OVER	± 0.3
ANGULAR ± 3 °	
DRAFT WHERE APPLICABLE MUST REMAIN WITHIN DIMENSIONS	

THIS DRAWING CONTAINS INFORMATION THAT IS PROPRIETARY TO MOLEX ELECTRONIC TECHNOLOGIES, LLC AND SHOULD NOT BE USED WITHOUT WRITTEN PERMISSION

DIMENSION UNITS: mm SCALE: 10:1

CURRENT REV DESC: REVISED

molex

0.5MM FPC CONN ZIF R/A HOUSING ASSY (UPPER CONTACT)

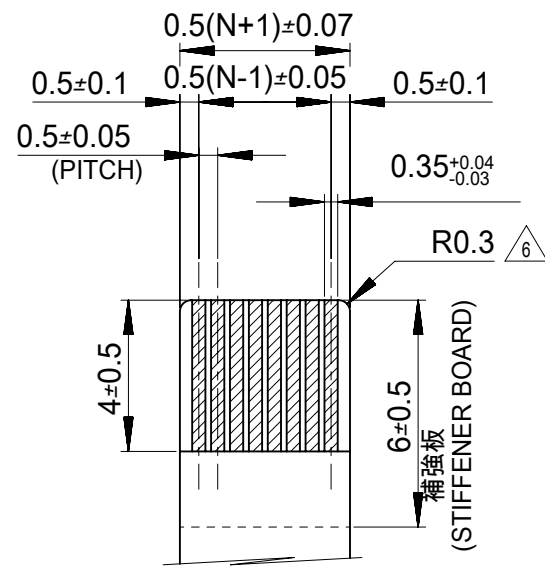
PRODUCT CUSTOMER DRAWING

DOCUMENT NUMBER: SD-52745-055 DOC TYPE: PSD DOC PART: 001 REVISION: B

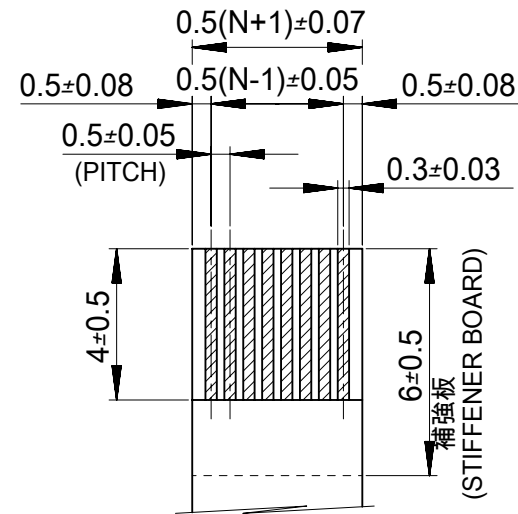
EC NO: 600129 DRWN: YCHEN128 2018/04/09
CHK'D: KTAKAHASHI 2018/04/12
APPR: NUKITA 2018/04/13

INITIAL REVISION:
DRWN: TMORISHITA 2012/09/06
APPR: KMORIKAWA 2013/03/15

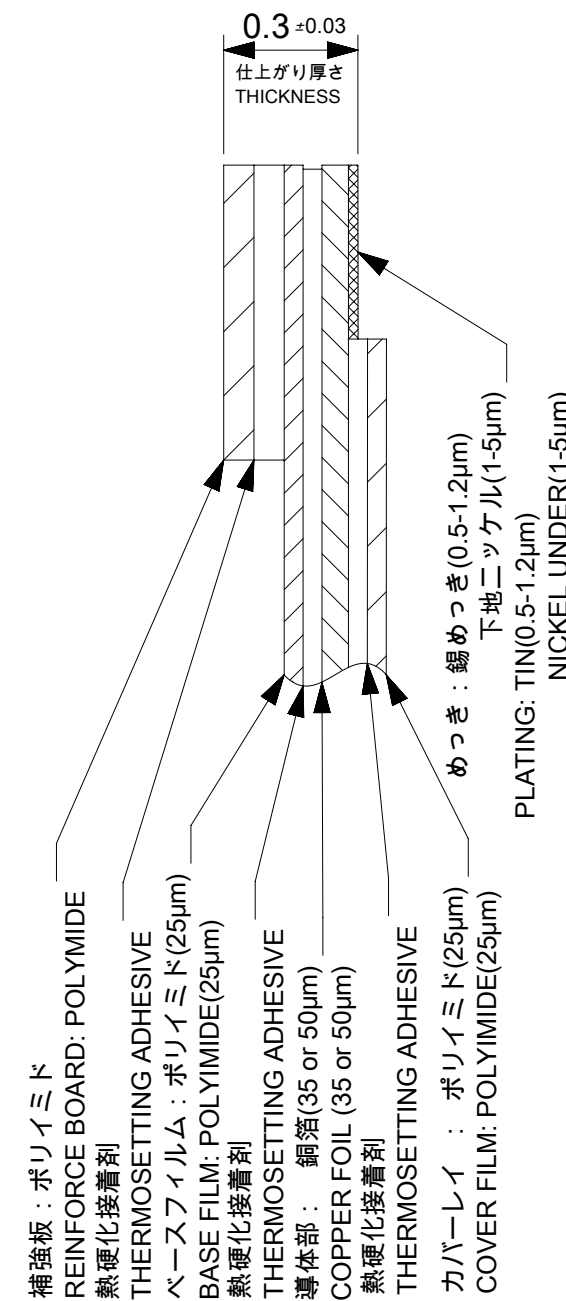
THIRD ANGLE PROJECTION DRAWING SERIES MATERIAL NUMBER CUSTOMER SHEET NUMBER
A3-SIZE 52745 GENERAL MARKET 1 OF 2



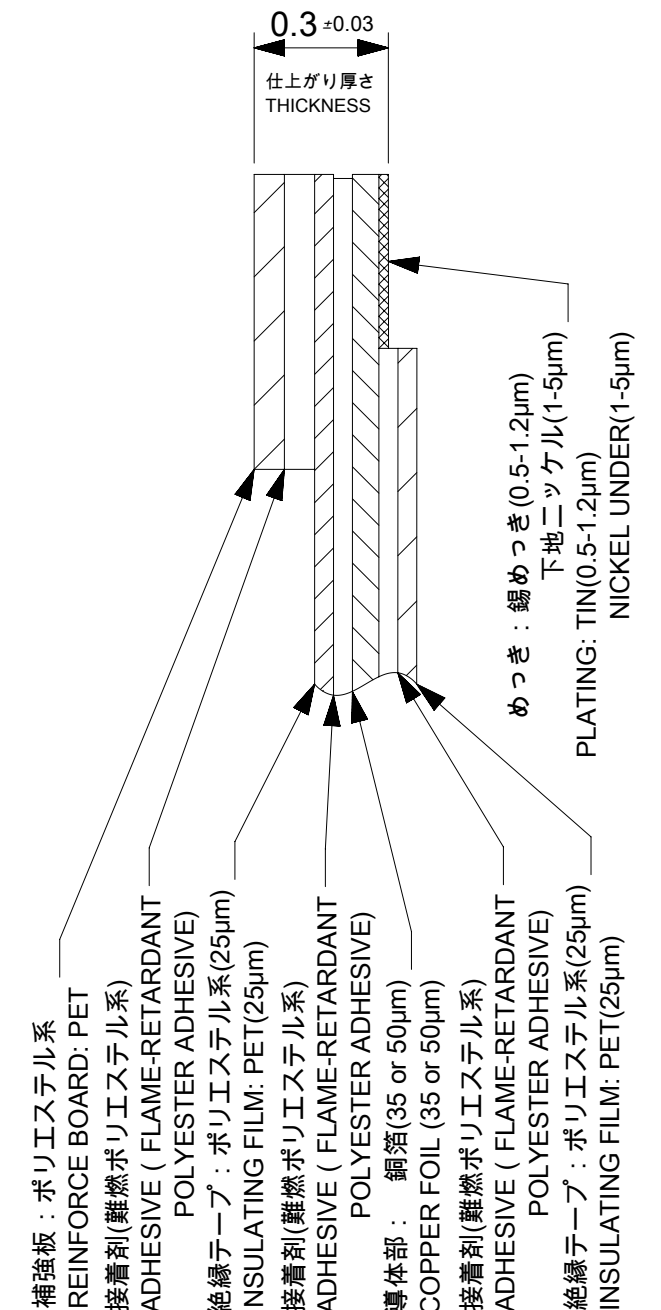
適合FPC推奨寸法
 APPLICABLE FPC
 PLATING RECOMMENDED DIMENSION
 仕上がり厚さ : 0.3±0.03
 THICKNESS: 0.3+0.03/-0.03



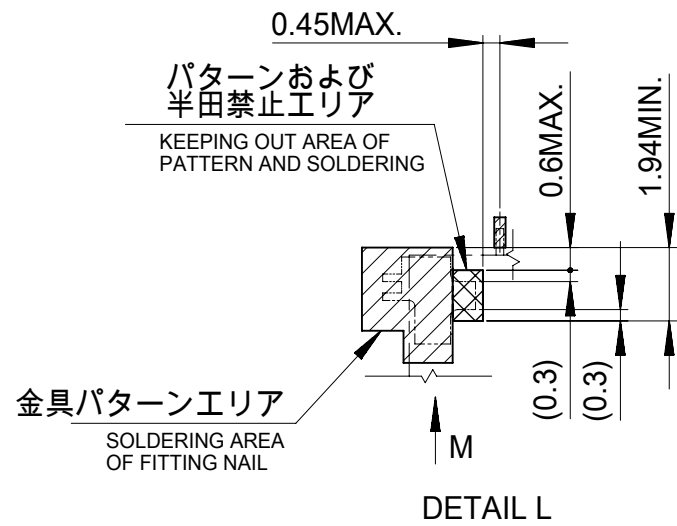
適合FFC推奨寸法
 APPLICABLE FFC
 PLATING RECOMMENDED DIMENSION
 仕上がり厚さ : 0.3±0.03
 THICKNESS: 0.3+0.03/-0.03



FPC構成推奨仕様
 RECOMMENDED STRUCTURE OF FPC

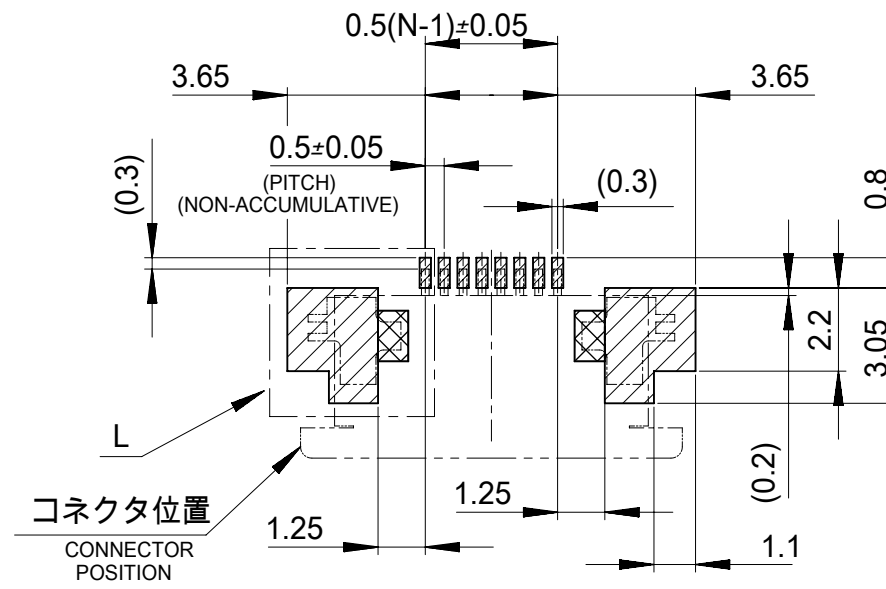


FFC構成推奨仕様
 RECOMMENDED STRUCTURE OF FFC



金具パターンエリア
 SOLDERING AREA
 OF FITTING NAIL

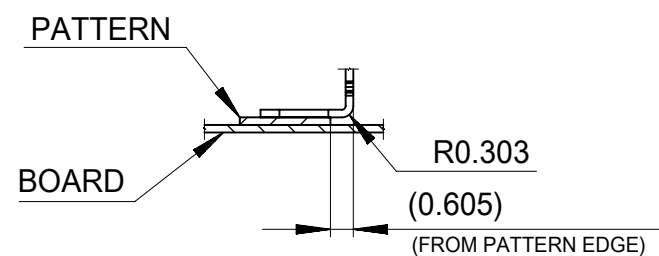
DETAIL L



コネクタ位置
 CONNECTOR
 POSITION

推奨基板レイアウト(マウント面)

RECOMMENDED P.C.BOARD
 PATTERN DIMENSION (MOUNTING SIDE)
 マスク厚 : 100µm
 マスク開口率 : 100%
 SCREEN THICKNESS : 100µm
 SCREEN OPEN TATIO : 100%



VIEW M
 (DETAIL OF FITTING NAIL
 ON PATTERN)

FPC/FFCについて:
 抜き方向は、導体側から補強板側を推奨致します。
 尚、接着剤の接点部への付着は導通不良の原因になりますので、
 染み出しが無い様お願い致します。
 ABOUT FPC/FFC:
 RECOMMENDED PUNCHER DIRECTION:
 FROM CONDUCTOR SIDE TO STIFFNER SIDE
 PLEASE PUT APPROPRIATE AMOUNT OF ADHESIVE ON ADHEREND
 BECAUSE THERE IS A POSSIBILITY THAT THE EXTRA ADHESIVE
 CAUSES THE DEFECT IN ELECTRICAL CONTINUITY.

GENERAL TOLERANCES (UNLESS SPECIFIED)	
10 UNDER	± 0.2
10 OVER 30 UNDER	± 0.25
30 OVER	± 0.3
ANGULAR	± 3 °
DRAFT WHERE APPLICABLE MUST REMAIN WITHIN DIMENSIONS	

THIS DRAWING CONTAINS INFORMATION THAT IS PROPRIETARY TO MOLEX ELECTRONIC TECHNOLOGIES, LLC AND SHOULD NOT BE USED WITHOUT WRITTEN PERMISSION	
DIMENSION UNITS	SCALE
mm	5:1
CURRENT REV DESC: REVISED	
GENERAL TOLERANCES (UNLESS SPECIFIED)	
ANGULAR TOL	± 30 °
4 PLACES	± 0.2
3 PLACES	± 0.25
2 PLACES	± 0.3
1 PLACE	±
0 PLACES	±
DRAFT WHERE APPLICABLE MUST REMAIN WITHIN DIMENSIONS	
THIRD ANGLE PROJECTION	
DRAWING	
SERIES	
MATERIAL NUMBER	
CUSTOMER	
SHEET NUMBER	

molex

0.5MM FPC CONN ZIF R/A
 HOUSING ASSY (UPPER CONTACT)

PRODUCT CUSTOMER DRAWING

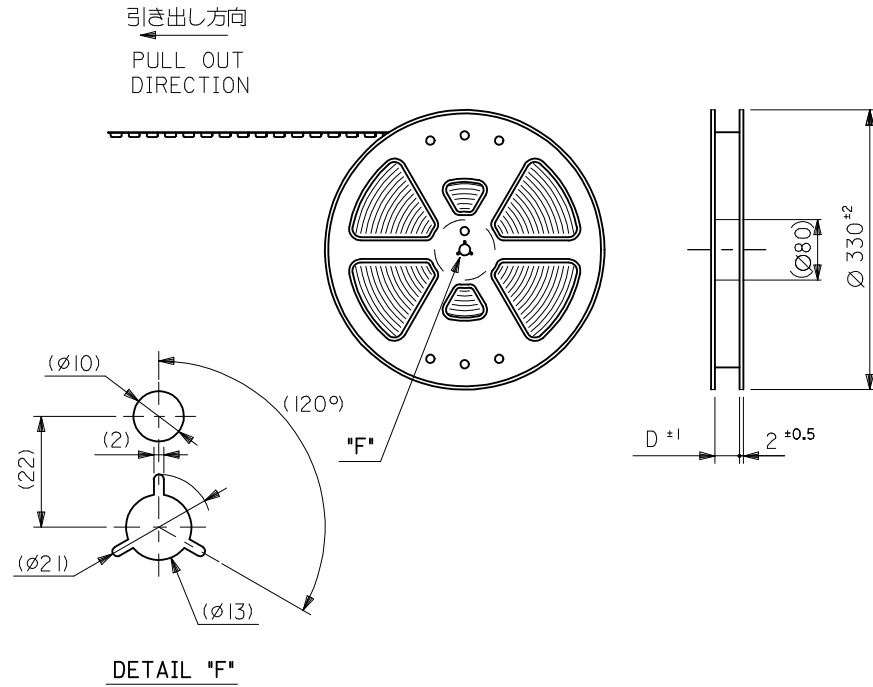
DOCUMENT NUMBER	DOC TYPE	DOC PART	REVISION
SD-52745-055	PSD	001	B

注記 NOTES

- 製品番号 52745-***22の梱包状態はアクチュエータがロックした状態とする。
詳細寸法については図面SD-52745-055を参照下さい。
IN THE PACKAGE,ACTUATOR OF PART NO.52745-***22 SHOULD BE LOCKED
RE DETAILED DIMENSIONS,SEE SD-52745-055
- 梱包数量：1000個/リール
NUMBER OF CONNECTORS:1000PCS/REEL
- リードテープ長さ LEAD TAPE LENGTH

トップテープ リーダー部 175 ±25	トップテープ 未接着部 25 ±5
TOP TAPE LEADER PART	TOP TAPE NON-BONDED PART

リール部 (空部) LEADER PART (EMPTY) 120 ±20	部品挿入部 COMPONENT SUPPLIER	末端部 (空部) TAIL PART (EMPTY) 150 ±40
--	--------------------------------	--
- カバーテープの剥離強度については、IEC60286-3に準拠
COVER TAPE PEEL FORCE IS DEFINED BY IEC 60286-3.

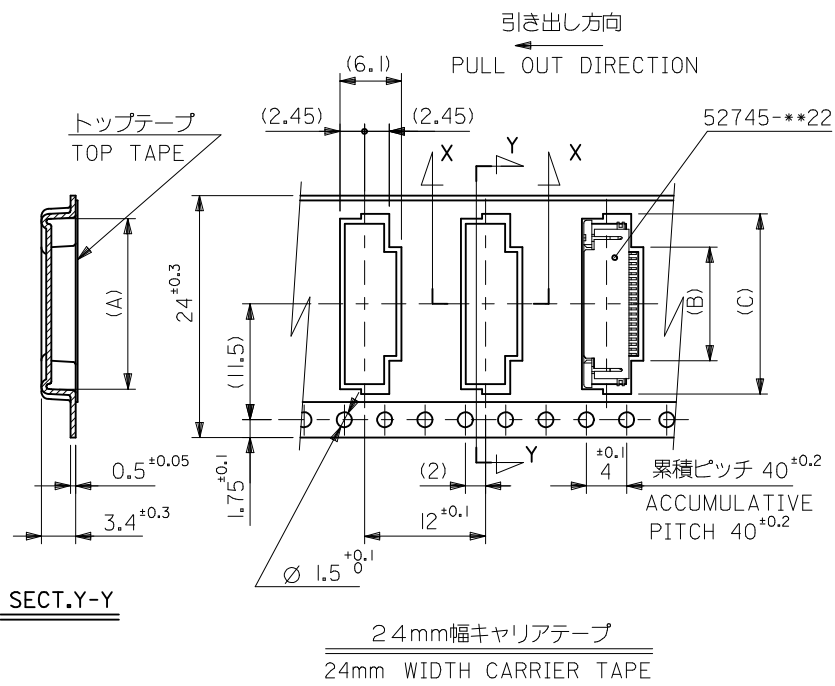


5. 材料
 キャリアテープ：ポリプロピレン (PP)
 トップテープ：PET, PE, PEF
 リール：ポリスチレン (PS) <リサイクル材を含む>

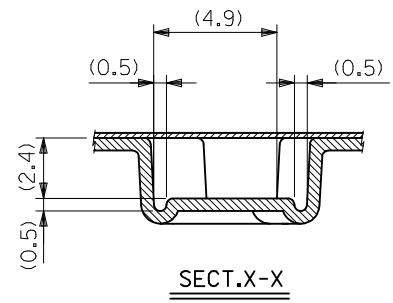
MATERIAL CARRIER TAPE:POLYPROPYLENE
 TOP TAPE:PET,PE,PEF
 REEL:POLYSTYREN(PS)
 <RECYCLE MATERIAL CONTAINED>

6. ELV及RoHS適合品
 ELV AND RoHS COMPLIANT

RELEASED EC NO.: J2013-1014 DRWN:TMORISHITA 2012/09/05 CHKD:KTAKAHASHI 2012/09/07 APPR:KMORIKAWA 2013/03/15	DESCRIPTION REV: 0	GENERAL TOLERANCES (UNLESS SPECIFIED)		DIMENSION STYLE MM ONLY		SCALE ---	DESIGN UNITS METRIC	THIRD ANGLE PROJECTION		
		10 UNDER	±0.2	DRAWN BY TMORISHITA	DATE 2012/09/05	TITLE EMBOSS TAPE PACKAGED FOR 0.5MM FPC CONN ZIF R/A HOUSING ASSY				
		10 OVER 30 UNDER	±0.25	CHECKED BY KTAKAHASHI	DATE 2012/09/07					
		30 OVER	±0.3	APPROVED BY KMORIKAWA	DATE 2013/03/15	molex DOCUMENT NO. SD-52745-056 SHEET NO. 1 OF 3				
ANGULAR ±3 °		MATERIAL NO. SEE CHART								
DRAFT WHERE APPLICABLE MUST REMAIN WITHIN DIMENSIONS		THIS DRAWING CONTAINS INFORMATION THAT IS PROPRIETARY TO MOLEX INCORPORATED AND SHOULD NOT BE USED WITHOUT WRITTEN PERMISSION								



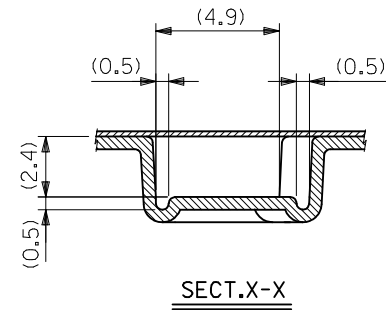
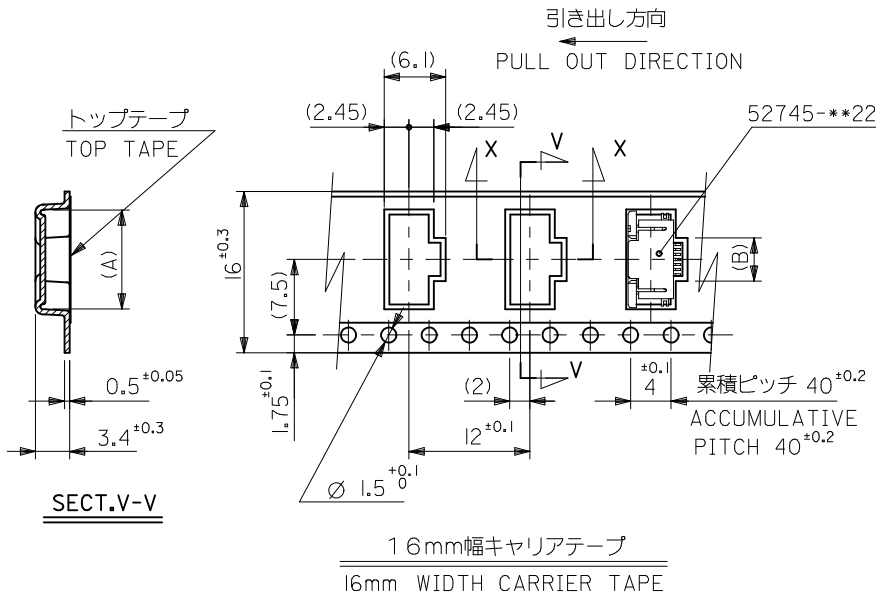
SECT.Y-Y



24	25.5	17.4	10.8	16.4	52745-2033	20
		16.9	10.3	15.9	-1933	19
		16.4	9.8	15.4	-1833	18
		15.9	9.3	14.9	-1733	17
		15.4	8.8	14.4	-1633	16
		14.9	8.3	13.9	-1533	15
		14.4	7.8	13.4	-1433	14
		13.9	7.3	12.9	-1333	13
		13.4	6.8	12.4	-1233	12
		12.9	6.3	11.9	-1133	11
		12.4	5.8	11.4	-1033	10
		11.9	5.3	10.9	-0933	9
		11.4	4.8	10.4	-0833	8
		10.9	4.3	9.9	-0733	7
10.4	3.8	9.4	52745-0633	6		
キャリアテープ幅 CARRIER TAPE WIDTH		D	(C)	(B)	(A)	EMBOSSED PACKAGE ORDER No. オ-ダ-番号
CONNECTOR SERIES NO. : 52745-**-22						

RELEASED EC NO.: J2013-1014 DRWN: TMORISHITA 2012/09/05 CHKD: KTAKAHASHI 2012/09/07 APPR: KMORIKAWA 2013/03/15	GENERAL TOLERANCES (UNLESS SPECIFIED)	
	10 UNDER	±0.2
	10 OVER 30 UNDER	±0.25
	30 OVER	±0.3
	ANGULAR	±3 °
DRAFT WHERE APPLICABLE MUST REMAIN WITHIN DIMENSIONS		

DIMENSION STYLE MM ONLY	SCALE ---	DESIGN UNITS METRIC	THIRD ANGLE PROJECTION
DRAWN BY TMORISHITA	DATE 2012/09/05	TITLE EMBOSS TAPE PACKAGED FOR 0.5MM FPC CONN ZIF R/A HOUSING ASSY	
CHECKED BY KTAKAHASHI	DATE 2012/09/07		
APPROVED BY KMORIKAWA	DATE 2013/03/15		
MATERIAL NO.	SEE CHART	DOCUMENT NO. SD-52745-056	SHEET NO. 2 OF 3
THIS DRAWING CONTAINS INFORMATION THAT IS PROPRIETARY TO MOLEX INCORPORATED AND SHOULD NOT BE USED WITHOUT WRITTEN PERMISSION			



SECT.V-V

SECT.X-X

16	17.5	2.8	8.4	52745-0433	4
キャリアテープ幅 CARRIER TAPE WIDTH	D	(B)	(A)	EMBOSSED PACKAGE ORDER No. オーダー番号	極数 CIRCUIT

RELEASED EC NO: J2013-1014 DRWN: TMORISHITA 2012/09/05 CHKD: KTAKAHASHI 2012/09/07 APPR: KMORIKAWA 2013/03/15	DESCRIPTION REV: 0	GENERAL TOLERANCES (UNLESS SPECIFIED)		DIMENSION STYLE MM ONLY		SCALE ---		DESIGN UNITS METRIC		THIRD ANGLE PROJECTION		
		10 UNDER	±0.2	DRAWN BY	DATE	TITLE						
		10 OVER 30 UNDER	±0.25	TMORISHITA	2012/09/07	EMBOSS TAPE PACKAGED FOR 0.5MM FPC CONN ZIF R/A HOUSING ASSY						
		30 OVER	±0.3	KTAKAHASHI	2012/09/07	molex SD-52745-056						
ANGULAR ±3 ° DRAFT WHERE APPLICABLE MUST REMAIN WITHIN DIMENSIONS		MATERIAL NO. SEE CHART		APPROVED BY KMORIKAWA 2013/03/15		DOCUMENT NO. SD-52745-056		SHEET NO. 3 OF 3				
		SIZE A3		THIS DRAWING CONTAINS INFORMATION THAT IS PROPRIETARY TO MOLEX INCORPORATED AND SHOULD NOT BE USED WITHOUT WRITTEN PERMISSION								