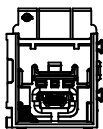
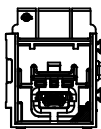


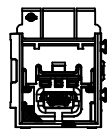
20 19 18 17 16 15 14 13 12 11 10 9 8 7 6 5 4 3 2 1



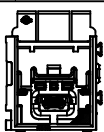
POLARIZATION A  
RIGHT ANGLE HEADER



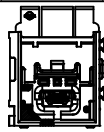
POLARIZATION B  
RIGHT ANGLE HEADER



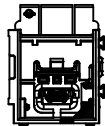
POLARIZATION C  
RIGHT ANGLE HEADER



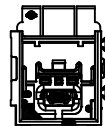
POLARIZATION D  
RIGHT ANGLE HEADER



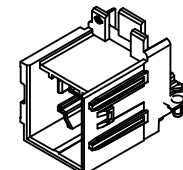
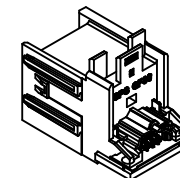
POLARIZATION E  
RIGHT ANGLE HEADER



POLARIZATION F  
RIGHT ANGLE HEADER



POLARIZATION G  
RIGHT ANGLE HEADER



(POLARIZATION OPTION 'A' THRU 'G' SHOWN ON ABOVE HEADERS,  
KEYS SHOWN VIA CROSSHATCHING)

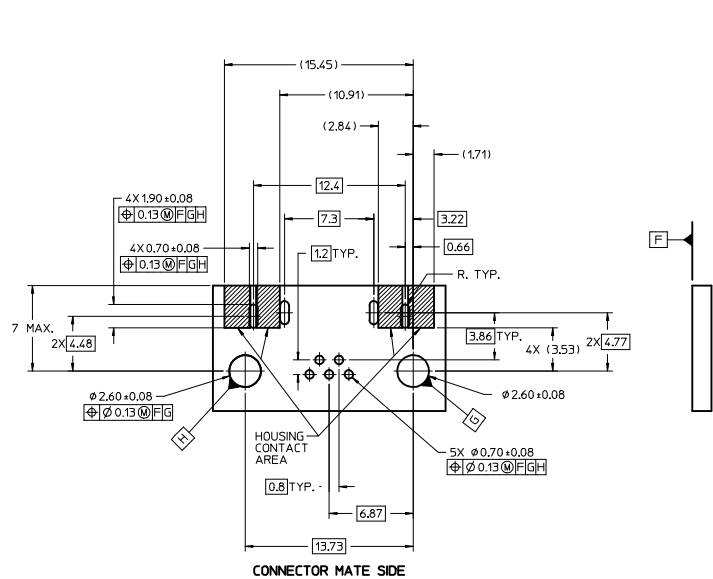
MATERIAL NUMBER		PART NUMBER	DESCRIPTION	POL	COLOR
TRAY PACKAGING TBD	TUBE PACKAGING TBD				
TBD	TBD	34786-0200	HS STAC RIGHT ANGLE HEADER ASSEMBLY	A	BLACK
TBD	TBD	34786-0290	HS STAC RIGHT ANGLE HEADER ASSEMBLY	B	GREY
TBD	TBD	34786-0320	HS STAC RIGHT ANGLE HEADER ASSEMBLY	C	BROWN
TBD	TBD	34786-0270	HS STAC RIGHT ANGLE HEADER ASSEMBLY	D	GREEN
TBD	TBD	34786-0250	HS STAC RIGHT ANGLE HEADER ASSEMBLY	E	BLUE
TBD	TBD	34786-0340	HS STAC RIGHT ANGLE HEADER ASSEMBLY	F	NATURAL/ WHITE
TBD	TBD	34786-0360	HS STAC RIGHT ANGLE HEADER ASSEMBLY	G	TBD

NOTES: VALID UNLESS OTHERWISE SPECIFIED

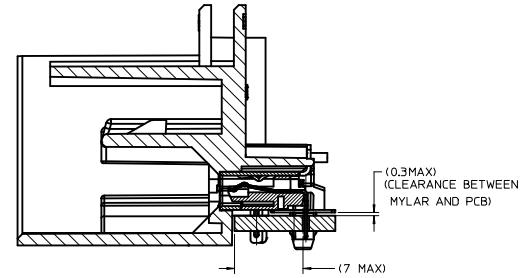
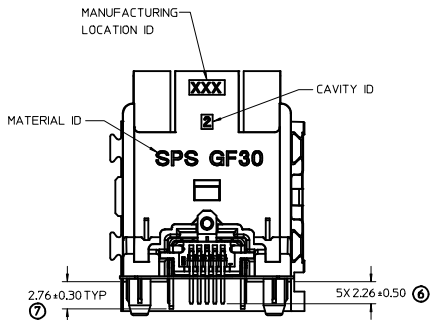
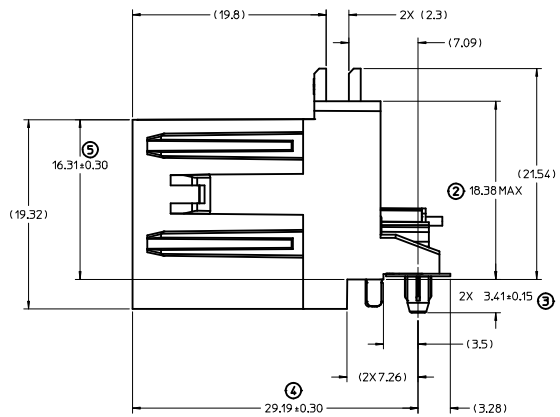
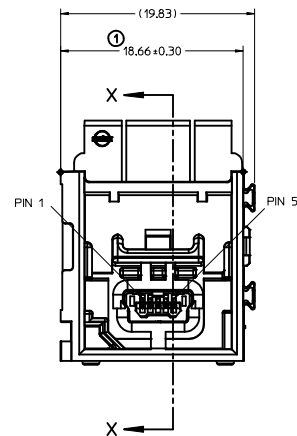
1. GENERAL:
  - a. APPLICATION SPECIFICATION SEE: AS-34786-100
  - b. PRODUCT SPECIFICATION SEE: PS-XXXXX-XXX
  - c. POLARIZATION FEATURE EFFECTIVENESS - SEE PRODUCT SPECIFICATION
  - d. PIN RETENTION - USCAR-2 REV 5
  - e. SOLDERABILITY - SMES-152 MAX TEMP 260C
  - f. PARTS MUST CONFORM TO SAE/USCAR-30 DATED AUGUST 2006
  - g. PARTS MUST CONFORM TO USB 2.0 DATED APRIL 2000 AND MINI-B ECN DATED OCTOBER 2000
2. DESIGN - MATERIALS:
  - a. SHROUD (PLASTIC HOUSING):  
RESIN - SPS 30%GF - 20% REGRIND MAX. BY WEIGHT
  - b. HS STAC PINS  
BASE MATERIAL: C70250  
PLATING TYPE: AS NOTED
  - c. SOLDER NAIL:  
BASE MATERIAL: C26800-EH  
PLATING TYPE: AS NOTED
  - d. PIN ALIGNMENT PLATE: MYLAR
  - e. PLATING REQUIREMENTS:  
UNDERPLATING - OVERALL NICKEL  
OVERPLATING - OVERALL TIN
3. DESIGN - GEOMETRY:
  - a. THIS IS A 100% CAD GENERATED PART. THE CAD MATHEMATICAL DATA IS THE MASTER FOR THIS PART. FOR DIMENSIONAL OR ANY INFORMATION NOT SHOWN ON THIS DRAWING, ANALYZE THE CAD MODEL.
  - b. GEOMETRIC DIMENSIONS AND TOLERANCES PER ASME Y14.5M-1994
  - c. EDGES AND UNDIMENSIONED DETAILS PER ISO13715
  - d. CORNERS SHOWN AS SHARP TO BE R 0.2 MAX.
  - e. LETTERING SHALL BE 0.15 MAX RAISED IN 0.25 MAX RECESS PAD. THIS INCLUDES RECYCLING CODE, CAVITY ID, VENDOR IDENTIFICATION, AND CUSTOMER MATERIAL NUMBER.
4. DESIGN - MANUFACTURING:
  - a. VISUAL DEFECTS SHALL MEET COSMETIC STANDARD PS-45499-002 (Class B)
  - b. NO SOLDER ALLOWED ON INSIDE OF HEADER

INITIAL RELEASE EC NO: UAI/2013-1860 GIDRW: FJSCHER01 2013/05/20 CHKD: CHPP APPR: BRAJMAN 2013/05/20 REV DESCRIPTION	QUALITY SYMBOLS	GENERAL TOLERANCES (UNLESS SPECIFIED)	DIMENSION STYLE	SCALE	DESIGN UNITS	THIRD ANGLE PROJECTION
	$\nabla=0$ $\nabla=0$	mm INCH 4 PLACES ± --- ± --- 3 PLACES ± --- ± --- 2 PLACES ± 0.13 ± --- 1 PLACE ± 0.25 ± --- ANGULAR ± 3 °	MM ONLY DRAWN BY DATE VDANIELE 12/11/2009 CHECKED BY DATE APPROVED BY DATE SMARCEAU 2010/04/06	2:1	METRIC	
	DRAFT WHERE APPLICABLE MUST REMAIN WITHIN DIMENSIONS	SEE CHART	MATERIAL NO. SD-34786-100	MOLEX MOLEX INCORPORATED	SHEET NO. 1 OF 2	
	THIS DRAWING CONTAINS INFORMATION THAT IS PROPRIETARY TO MOLEX INCORPORATED AND SHOULD NOT BE USED WITHOUT WRITTEN PERMISSION					

19 18 17 16 15 14 13 12 11 10 9 8 7 6 5 4 3 2 1



RECOMMENDED PCB LAYOUT

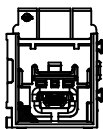


\* RECOMMENDED FOR PIN THROUGH PASTE REFLOW PROCESSING \*

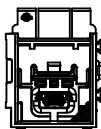
SECTION X-X

INITIAL RELEASE IEC NO. UAU2013-1880 DRAWN/FISCHER01 2013/05/20 CHKD: APPR:RBALMAN 2013/05/30	QUALITY SYMBOLS ▽=0 ▽=0	GENERAL TOLERANCES (UNLESS SPECIFIED) mm INCH 4 PLACES ± --- ± --- 3 PLACES ± --- ± --- 2 PLACES ± 0.13 ± --- 1 PLACE ± 0.25 ± --- ANGULAR ± 3 °	DIMENSION STYLE MM ONLY	SCALE 4:1	DESIGN UNITS METRIC	THIRD ANGLE PROJECTION	
	DRAWN BY VDANIELE	DATE 12/11/2009	CHECKED BY DATE	TITLE HS STAC SINGLE BAY RIGHT ANGLE ASSEMBLY SALES DRAWING	MOLEX INCORPORATED		
	APPROVED BY SMARCEAU	DATE 2010/04/06	MATERIAL NO. SEE CHART	DOCUMENT NO. SD-34786-100	SHEET NO. 2 OF 2	THIS DRAWING CONTAINS INFORMATION THAT IS PROPRIETARY TO MOLEX INCORPORATED AND SHOULD NOT BE USED WITHOUT WRITTEN PERMISSION	

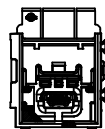
20 19 18 17 16 15 14 13 12 11 10 9 8 7 6 5 4 3 2 1



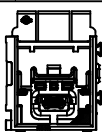
POLARIZATION A  
RIGHT ANGLE HEADER



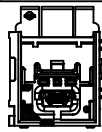
POLARIZATION B  
RIGHT ANGLE HEADER



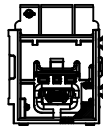
POLARIZATION C  
RIGHT ANGLE HEADER



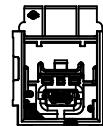
POLARIZATION D  
RIGHT ANGLE HEADER



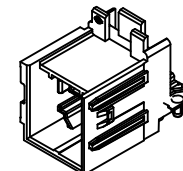
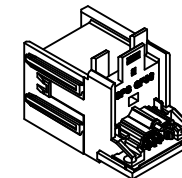
POLARIZATION E  
RIGHT ANGLE HEADER



POLARIZATION F  
RIGHT ANGLE HEADER



POLARIZATION G  
RIGHT ANGLE HEADER



(POLARIZATION OPTION 'A' THRU 'G' SHOWN ON ABOVE HEADERS,  
KEYS SHOWN VIA CROSSHATCHING)

MATERIAL NUMBER		PART NUMBER	DESCRIPTION	POL	COLOR
TRAY PACKAGING TBD	TUBE PACKAGING TBD				
TBD	TBD	34786-0200	HS STAC RIGHT ANGLE HEADER ASSEMBLY	A	BLACK
TBD	TBD	34786-0290	HS STAC RIGHT ANGLE HEADER ASSEMBLY	B	GREY
TBD	TBD	34786-0320	HS STAC RIGHT ANGLE HEADER ASSEMBLY	C	BROWN
TBD	TBD	34786-0270	HS STAC RIGHT ANGLE HEADER ASSEMBLY	D	GREEN
TBD	TBD	34786-0250	HS STAC RIGHT ANGLE HEADER ASSEMBLY	E	BLUE
TBD	TBD	34786-0340	HS STAC RIGHT ANGLE HEADER ASSEMBLY	F	NATURAL/ WHITE
TBD	TBD	34786-0360	HS STAC RIGHT ANGLE HEADER ASSEMBLY	G	TBD

NOTES: VALID UNLESS OTHERWISE SPECIFIED

1. GENERAL:

- a. APPLICATION SPECIFICATION SEE: AS-34786-100
- b. PRODUCT SPECIFICATION SEE: PS-XXXXX-XXX
- c. POLARIZATION FEATURE EFFECTIVENESS - SEE PRODUCT SPECIFICATION
- d. PIN RETENTION - USCAR-2 REV 5
- e. SOLDERABILITY - SMES-152 MAX TEMP 260C
- f. PARTS MUST CONFORM TO SAE/USCAR-30 DATED AUGUST 2006
- g. PARTS MUST CONFORM TO USB 2.0 DATED APRIL 2000 AND MINI-B ECN DATED OCTOBER 2000
- h. PACKAGING SPECIFICATION PER MOLEX DRAWING: PK-31301-489
- i. PARTS MUST BE IN COMPLIANCE TO MOLEX CHEMICAL SUBSTANCES FOR PRODUCTS AND PACKAGING SPECIFICATION: ES-40000-5016
- j. DATA MUST BE SUBMITTED UNDER THE MOLEX PART NUMBER TO IMDS (COMPANY ID#13255)

2. DESIGN - MATERIALS:

- a. SHROUD (PLASTIC HOUSING):  
RESIN - SPS 30%GF - 20% REGRIND MAX. BY WEIGHT
- b. HS STAC PINS  
BASE MATERIAL: C70250  
PLATING TYPE: AS NOTED
- c. SOLDER NAIL:  
BASE MATERIAL: C26800-EH  
PLATING TYPE: AS NOTED
- d. PIN ALIGNMENT PLATE: MYLAR
- e. PLATING REQUIREMENTS:  
UNDERPLATING - OVERALL NICKEL  
OVERPLATING - OVERALL TIN

3. DESIGN - GEOMETRY:

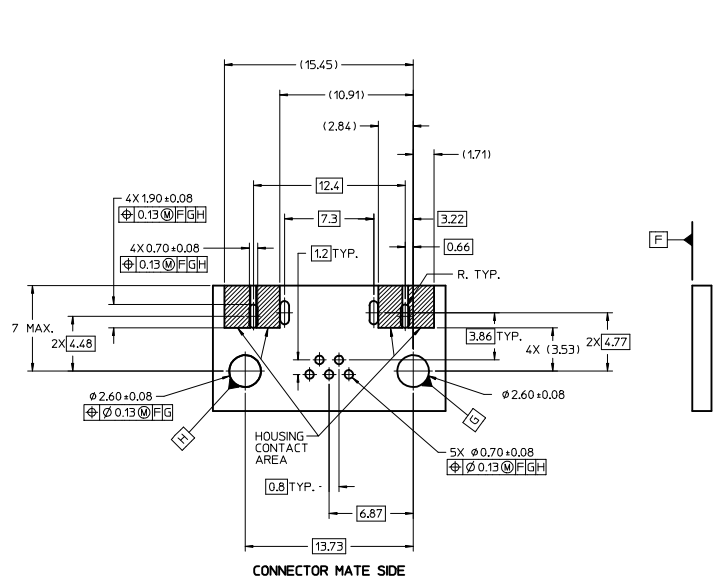
- a. THIS IS A 100% CAD GENERATED PART. THE CAD MATHEMATICAL DATA IS THE MASTER FOR THIS PART. FOR DIMENSIONAL OR ANY INFORMATION NOT SHOWN ON THIS DRAWING, ANALYZE THE CAD MODEL.
- b. GEOMETRIC DIMENSIONS AND TOLERANCES PER ASME Y14.5M-1994
- c. EDGES AND UNDIMENSIONED DETAILS PER ISO13715
- d. CORNERS SHOWN AS SHARP TO BE R 0.2 MAX.
- e. LETTERING SHALL BE 0.15 MAX RAISED IN 0.25 MAX RECESS PAD. THIS INCLUDES RECYCLING CODE, CAVITY ID, VENDOR IDENTIFICATION, AND CUSTOMER MATERIAL NUMBER.

4. DESIGN - MANUFACTURING:

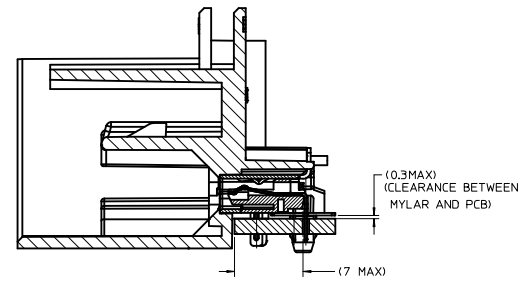
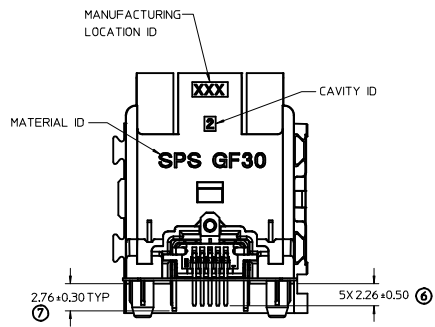
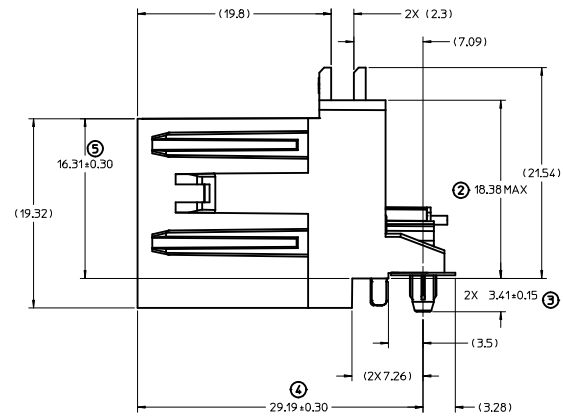
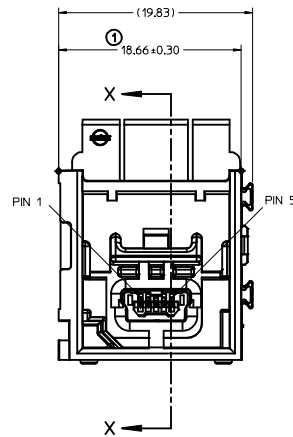
- a. VISUAL DEFECTS SHALL MEET COSMETIC STANDARD PS-45499-002 (Class B)
- b. NO SOLDER ALLOWED ON INSIDE OF HEADER

INITIAL RELEASE EC NO: UAI/2013-1860 GIDRW: FJSCHER01 2013/05/20 CHKD: CHPPR: BRAJMAN 2013/05/20 APPR: BRAJMAN 2013/05/20 REV DESCRIPTION	QUALITY SYMBOLS	GENERAL TOLERANCES (UNLESS SPECIFIED)	DIMENSION STYLE	SCALE	DESIGN UNITS	THIRD ANGLE PROJECTION
	$\nabla=0$ $\nabla=0$	mm INCH 4 PLACES ± --- ± --- 3 PLACES ± --- ± --- 2 PLACES ± 0.13 ± --- 1 PLACE ± 0.25 ± --- ANGULAR ± 3 °	MM ONLY DRAWN BY DATE V DANIELE 12/11/2009 CHECKED BY DATE APPROVED BY DATE SMARCEAU 2010/04/06	2:1	METRIC	
	DRAFT WHERE APPLICABLE MUST REMAIN WITHIN DIMENSIONS	SEE CHART	MATERIAL NO.	DOCUMENT NO.	HS STAC SINGLE BAY RIGHT ANGLE ASSEMBLY SALES DRAWING MOLEX INCORPORATED	
	SIZE D	SD-34786-100	SHEET NO. 1 OF 2		THIS DRAWING CONTAINS INFORMATION THAT IS PROPRIETARY TO MOLEX INCORPORATED AND SHOULD NOT BE USED WITHOUT WRITTEN PERMISSION	

19 18 17 16 15 14 13 12 11 10 9 8 7 6 5 4 3 2 1

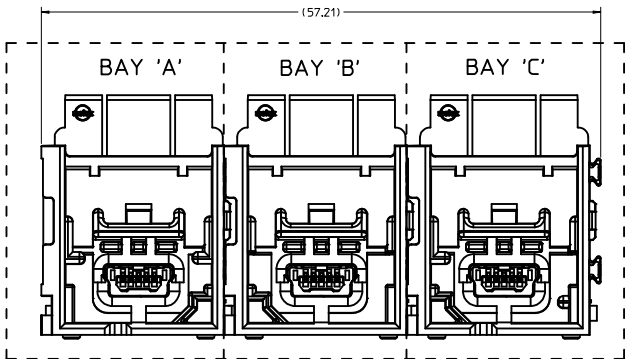


RECOMMENDED PCB LAYOUT

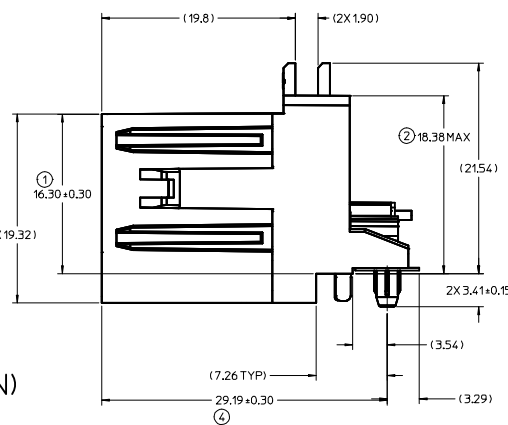


\* RECOMMENDED FOR PIN THROUGH PASTE REFLOW PROCESSING \*  
SECTION X-X

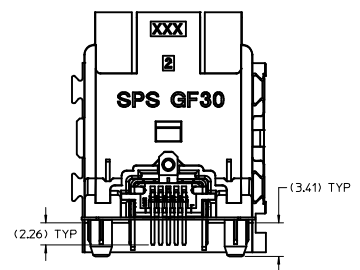
INITIAL RELEASE IEC NO. UAU2013-1880 DRAWN: FISCHER01 2013/05/20 CHKD: APPR: RBALMAN 2013/05/30	QUALITY SYMBOLS	GENERAL TOLERANCES (UNLESS SPECIFIED)	DIMENSION STYLE	SCALE	DESIGN UNITS	THIRD ANGLE PROJECTION
	▽=0 ▽=0	4 PLACES $\pm$ ---   INCH 3 PLACES $\pm$ ---   INCH 2 PLACES $\pm 0.13$   INCH 1 PLACE $\pm 0.25$   INCH ANGULAR $\pm 3^\circ$	MM ONLY	4:1	METRIC	DRAWN BY: VDANIELE DATE: 12/11/2009 CHECKED BY: DATE:
	DRAFT WHERE APPLICABLE MUST REMAIN WITHIN DIMENSIONS	APPROVED BY: SMARCEAU DATE: 2010/04/06 MATERIAL NO.: SEE CHART	TITLE: HS STAC SINGLE BAY RIGHT ANGLE ASSEMBLY SALES DRAWING	MOLEX INCORPORATED	DOCUMENT NO.: SD-34786-100	SHEET NO.: 2 OF 2
	THIS DRAWING CONTAINS INFORMATION THAT IS PROPRIETARY TO MOLEX INCORPORATED AND SHOULD NOT BE USED WITHOUT WRITTEN PERMISSION					



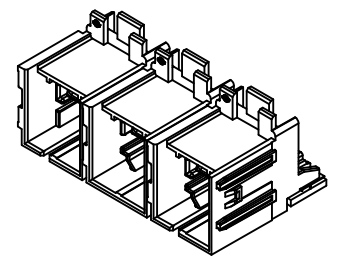
3-BAY HS STAC RIGHT ANGLE  
HEADER ASSEMBLY (P/N: 34787-3004 SHOWN)



HS STAC



REAR VIEW OF HS STAC

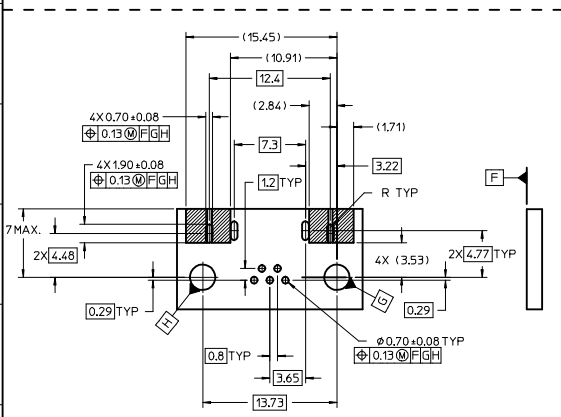


DIMENSIONAL CHART FOR MULTIBAY CONFIGURATION:

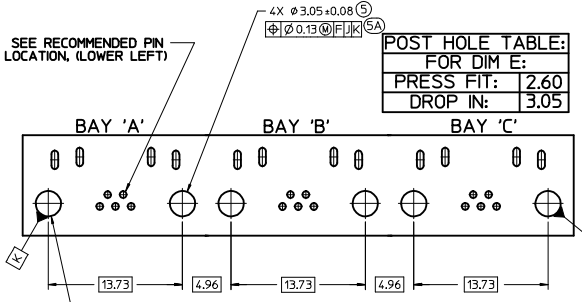
3 BAY PART NUMBER	BAY A			BAY B			BAY C		
	CKT	TYPE	POL	CKT	TYPE	POL	CKT	TYPE	POL
34787-3001	-	HS	E	-	HS	D	-	HS	A
34787-3003	-	HS	C	-	HS	F	-	HS	D
34787-3004	-	HS	D	-	HS	A	-	HS	E

NOTES: VALID UNLESS OTHERWISE SPECIFIED

- GENERAL:
  - APPLICATION SPECIFICATION SEE: AS-34786-100
  - PRODUCT SPECIFICATION SEE: PS-XXXXX-XXX  
POLARIZATION FEATURE EFFECTIVENESS - SEE PRODUCT SPECIFICATION PIN RETENTION - USCAR-2 REV 5  
SOLDERABILITY - SMES-152 MAX TEMP 260C  
PARTS MUST CONFORM TO SAE/USCAR-30 DATED AUGUST 2006  
PARTS MUST CONFORM TO USB 2.0 DATED APRIL 2000 AND MINI-B EGN DATED OCTOBER 2000
  - PACKAGING SPECIFICATION PER MOLEX DRAWING: PK-31301-489
  - PARTS MUST BE IN COMPLIANCE TO MOLEX CHEMICAL SUBSTANCES FOR PRODUCTS AND PACKAGING SPECIFICATION: ES-40000-5016
  - DATA MUST BE SUBMITTED UNDER THE MOLEX PART NUMBER TO IHDS (COMPANY ID#13255)
- DESIGN: MATERIALS:
  - SHROUD (PLASTIC HOUSING):  
RESIN - SPS 30%GF - 20% REGRIND MAX. BY WEIGHT
  - HS STAC PINS  
BASE MATERIAL: C70250  
PLATING TYPE: AS NOTED
  - PIN ALIGNMENT PLATE: MYLAR
  - PLATING REQUIREMENTS:  
UNDERPLATING - OVERALL NICKEL  
OVERPLATING - OVERALL TIN
- DESIGN - GEOMETRY:
  - THIS IS A 100% CAD GENERATED PART. THE CAD MATHEMATICAL DATA IS THE MASTER FOR THIS PART. FOR DIMENSIONAL OR ANY INFORMATION NOT SHOWN ON THIS DRAWING, ANALYZE THE CAD MODEL.
  - GEOMETRIC DIMENSIONS AND TOLERANCES PER ASME Y14.5M-1994
  - EDGES AND UNDIMENSIONED DETAILS PER ISO13715
  - CORNERS SHOWN AS SHARP TO BE R 0.2 MAX.
  - LETTERING SHALL BE 0.15 MAX RAISED IN 0.25 MAX RECESS PAD. THIS INCLUDES RECYCLING CODE, CAVITY ID, VENDOR IDENTIFICATION AND CUSTOMER MATERIAL NUMBER.
- DESIGN - MANUFACTURING:
  - VISUAL DEFECTS SHALL MEET COSMETIC STANDARD PS-45499-002 (Class B)
  - NO SOLDER ALLOWED ON INSIDE OF HEADER
- FOR DESCRIPTION OF INDIVIDUAL BAYS, REFER TO HS STAC SD-34786-100
- MYLAR MAY BECOME DISPLACED FROM ORIGINAL POSITION DURING SHIPPING; MYLAR IS NOT ALLOWED TO DETACH FROM PART ENTIRELY

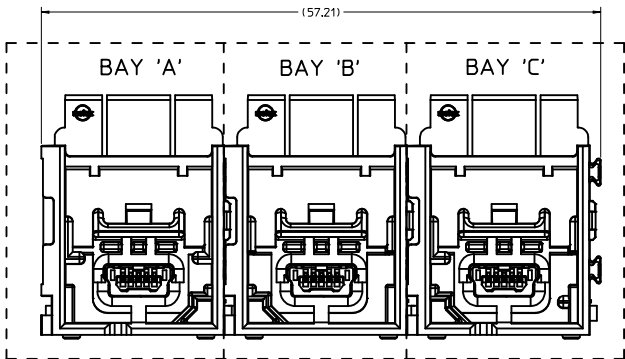


RECOMMENDED PIN LOCATION  
CONNECTOR TO PCB CONTACT SIDE

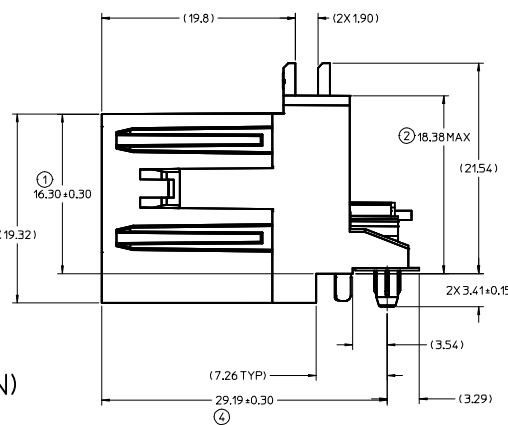


RECOMMENDED PCB LAYOUT

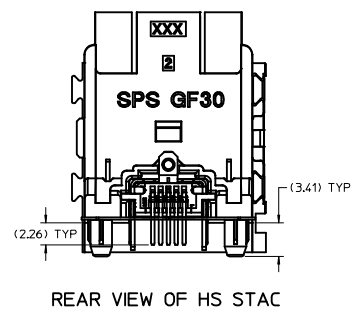
REVISED IEC NO: UAU2014-0224 DRAWN: FISCHERO 2013/08/09 CHKD: APPROVAL: MAN 2013/08/12 DESCRIPTION D4	QUALITY SYMBOLS ▽=0 ▽=0		GENERAL TOLERANCES (UNLESS SPECIFIED): mm INCH 4 PLACES ±--- ±--- 3 PLACES ±--- ±--- 2 PLACES ±0.13 ±--- 1 PLACE ±0.25 ±--- ANGULAR ± 1°		DIMENSION STYLE MM ONLY DRAWN BY: VDANIELE DATE: 2010/06/24 CHECKED BY: JDUNA J DATE: 2010/06/28 APPROVED BY: SMARCEAU DATE: 2010/07/08		SCALE: 4:1 DESIGN UNITS: METRIC THIRD ANGLE PROJECTION	
	DRAFT WHERE APPLICABLE MUST REMAIN WITHIN DIMENSIONS				MATERIAL NO: SEE CHART DOCUMENT NO: SD-34787-300			
	MOLEX INCORPORATED				SHEET NO: 1 OF 1			
	THIS DRAWING CONTAINS INFORMATION THAT IS PROPRIETARY TO MOLEX INCORPORATED AND SHOULD NOT BE USED WITHOUT WRITTEN PERMISSION							



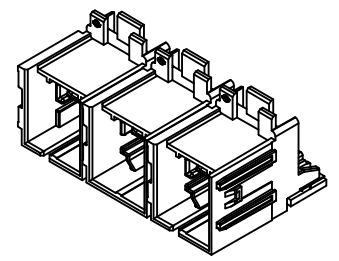
3-BAY HS STAC RIGHT ANGLE  
HEADER ASSEMBLY (P/N: 34787-3004 SHOWN)



HS STAC



REAR VIEW OF HS STAC

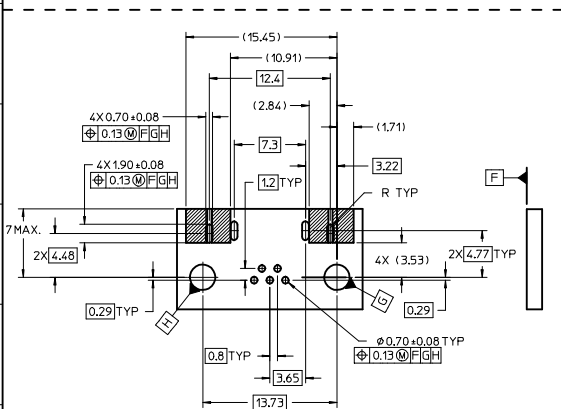


DIMENSIONAL CHART FOR MULTIBAY CONFIGURATION:

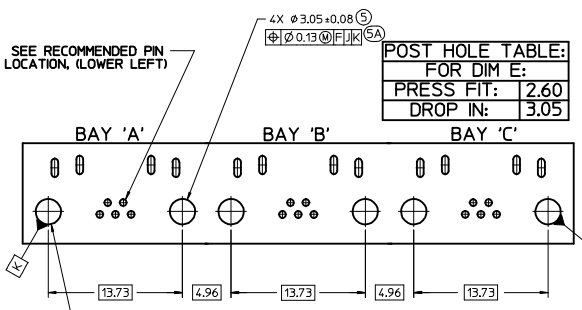
3 BAY PART NUMBER	BAY A			BAY B			BAY C		
	CKT	TYPE	POL	CKT	TYPE	POL	CKT	TYPE	POL
34787-3001	-	HS	E	-	HS	D	-	HS	A
34787-3003	-	HS	C	-	HS	F	-	HS	D
34787-3004	-	HS	D	-	HS	A	-	HS	E

NOTES: VALID UNLESS OTHERWISE SPECIFIED

- GENERAL:
  - APPLICATION SPECIFICATION SEE: AS-34786-100
  - PRODUCT SPECIFICATION SEE: PS-XXXXX-XXX  
POLARIZATION FEATURE EFFECTIVENESS - SEE PRODUCT SPECIFICATION PIN RETENTION - USCAR-2 REV 5  
SOLDERABILITY - SMES-152 MAX TEMP 260C  
PARTS MUST CONFORM TO SAE/USCAR-30 DATED AUGUST 2006  
PARTS MUST CONFORM TO USB 2.0 DATED APRIL 2000 AND MINI-B EGN DATED OCTOBER 2000
  - PACKAGING SPECIFICATION PER MOLEX DRAWING: PK-31301-489
  - PARTS MUST BE IN COMPLIANCE TO MOLEX CHEMICAL SUBSTANCES FOR PRODUCTS AND PACKAGING SPECIFICATION: ES-40000-5016
  - DATA MUST BE SUBMITTED UNDER THE MOLEX PART NUMBER TO IHDS (COMPANY ID#13255)
- DESIGN: MATERIALS:
  - SHROUD (PLASTIC HOUSING):  
RESIN - SPS 30%GF - 20% REGRIND MAX. BY WEIGHT
  - HS STAC PINS  
BASE MATERIAL: C70250  
PLATING TYPE: AS NOTED  
  
SOLDER NAIL:  
BASE MATERIAL: C26800-EH  
PLATING TYPE: AS NOTED
  - PIN ALIGNMENT PLATE: MYLAR
  - PLATING REQUIREMENTS:  
UNDERPLATING - OVERALL NICKEL  
OVERPLATING - OVERALL TIN
- DESIGN - GEOMETRY:
  - THIS IS A 100% CAD GENERATED PART. THE CAD MATHEMATICAL DATA IS THE MASTER FOR THIS PART. FOR DIMENSIONAL OR ANY INFORMATION NOT SHOWN ON THIS DRAWING, ANALYZE THE CAD MODEL.
  - GEOMETRIC DIMENSIONS AND TOLERANCES PER ASME Y14.5M-1994
  - EDGES AND UNDIMENSIONED DETAILS PER ISO13715
  - CORNERS SHOWN AS SHARP TO BE R 0.2 MAX.
  - LETTERING SHALL BE 0.15 MAX RAISED IN 0.25 MAX RECESS PAD. THIS INCLUDES RECYCLING CODE, CAVITY ID, VENDOR IDENTIFICATION AND CUSTOMER MATERIAL NUMBER.
- DESIGN - MANUFACTURING:
  - VISUAL DEFECTS SHALL MEET COSMETIC STANDARD PS-45499-002 (Class B)
  - NO SOLDER ALLOWED ON INSIDE OF HEADER
- FOR DESCRIPTION OF INDIVIDUAL BAYS, REFER TO HS STAC SD-34786-100
- MYLAR MAY BECOME DISPLACED FROM ORIGINAL POSITION DURING SHIPPING; MYLAR IS NOT ALLOWED TO DETACH FROM PART ENTIRELY



RECOMMENDED PIN LOCATION  
CONNECTOR TO PCB CONTACT SIDE



RECOMMENDED PCB LAYOUT

REVISED IEC NO: UAU2014-0224 DRAWN: FISCHERO1 2013/08/09 CHKD: APPROVED: ALMAN 2013/08/12 DESCRIPTION: D4	QUALITY SYMBOLS	GENERAL TOLERANCES (UNLESS SPECIFIED)	DIMENSION STYLE	SCALE	DESIGN UNITS	THIRD ANGLE PROJECTION
	$\nabla=0$ $\nabla=0$	mm INCH 4 PLACES ± --- ± --- 3 PLACES ± --- ± --- 2 PLACES ± 0.13 ± --- 1 PLACE ± 0.25 ± --- ANGULAR ± 1°	MM ONLY	4:1	METRIC	☉ □ THIRD ANGLE PROJECTION
			DRAWN BY: VDANIELE CHECKED BY: JDUNA J APPROVED BY: SMARCEAU DATE: 2010/06/124 DATE: 2010/06/128 DATE: 2010/07/08	TITLE	3-BAY HSSTAC RIGHT ANGLE HEADER ASSEMBLY SALES DRAWING	
		DRAFT WHERE APPLICABLE MUST REMAIN WITHIN DIMENSIONS	MATERIAL NO: SEE CHART	MOLEX INCORPORATED DOCUMENT NO: SD-34787-300	SHEET NO: 1 OF 1	