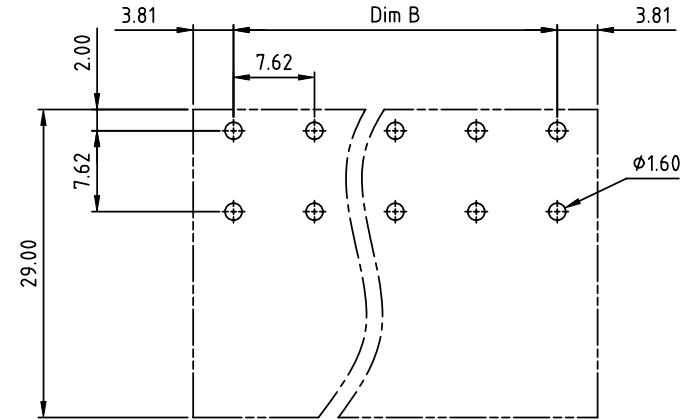
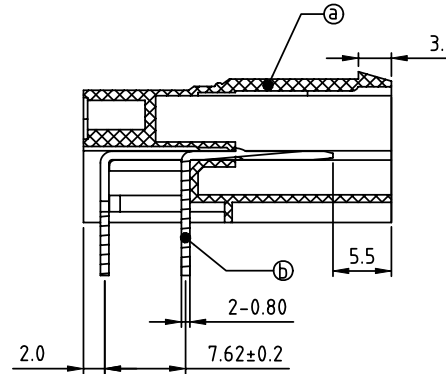
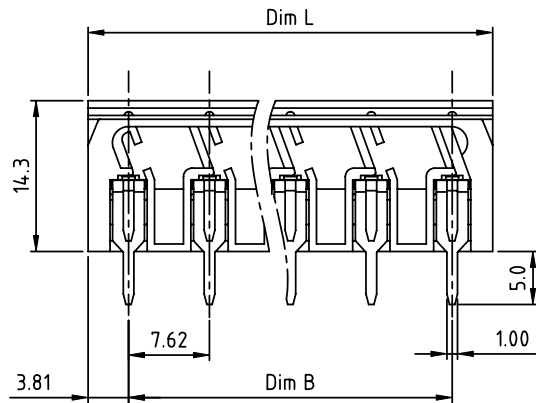
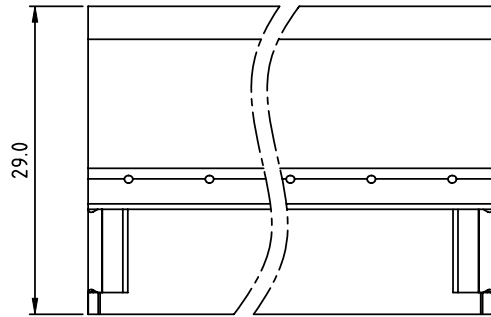


PRODUCT NUMBER	PITCH
VCxx00x000J0G	7.62mm



RECOMMENDED P.C.B LAYOUT
TOP VIEW

Material:

- Item① Pin: Copper with Tin plated
- Item② Terminal (housing): Thermoplastic (UL94V-0)

Electrical

- Voltage rating: 300V 800V
- Current rating: 32A 32A
- Withstanding Voltage: 1.6KV 6KV
- Operating temperature: -40°C to +115°C
- Soldering temperature: 260°C± 5°C/5 Sec
- Safety Approval:

N = Number of poles
Dim L=Nx7.62
Dim B=(N-1)x7.62

Poles	Tolerance
2-5p	±0.20
6-10p	±0.30
11-13p	±0.35
14-16p	±0.40

PART NO.: VC xx 00 x 0 00J0 G

	Color	RoHS compliant (lead<4%) In copper Alloy
Solid block	0 Black (RAL9005)	
No. of poles	2 Red (RAL3001/D)	
02 2 poles	3 Orange(RAL2011/P)	
03 3 poles	4 Yellow(RAL1018/A)	
...	5 Green(RAL6018/T)	
16 16 poles	6 Blue (RAL5015/A)	
	8 Grey(RAL7035/D)	
	9 White(RAL1102)	
	C Green(RAL6018/U)	

mat'l. code		surface ASME Y14.5	tolerance ASME Y14.5	projection	product family
ltr ecn no dr date		tolerances unless otherwise specified			TERMINAL BLOCK
angles		X.±0.5		MM	title
X°±1'		X.X±0.3		scale	TERMINAL BLOCK PLUGGABLE SOCKET, RIGHT ANGLE TWO TAIL A TYPE
dr EVIN ZHONG		042314			dwg no
enr EVIN ZHONG		042314			sheet 1 of 1
chr HANKE FENG		042314			size
appd SHI JUN		042314			VCxx00x000J0G
sheet index		revision sheet	A 1	type CUSTOMER Drawing	