

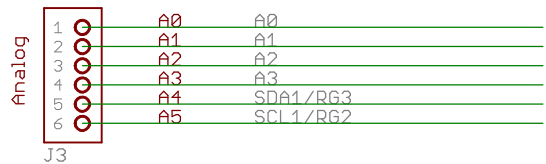
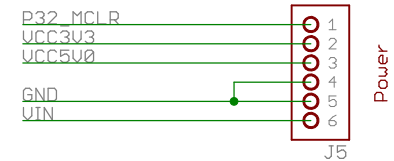
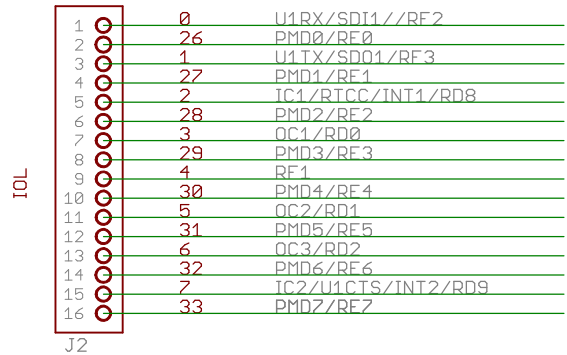
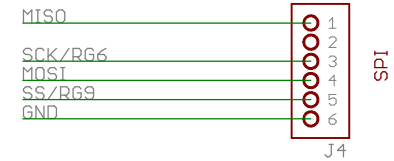
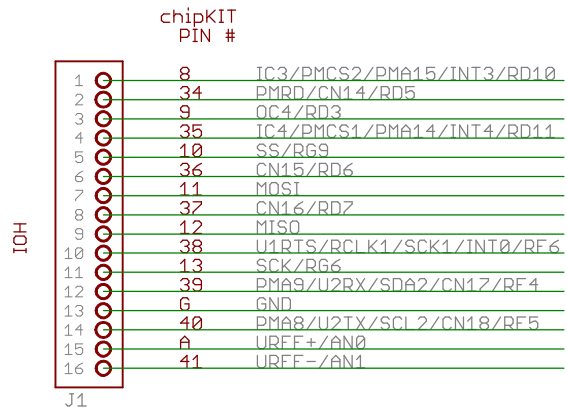
# chipKIT™ Basic I/O Shield Reference Design

Digilent chipKIT hardware files are licensed under the Creative Commons Attribution-ShareAlike license. This license allows for both personal and commercial derivative works, as long as proper credit is given to Digilent and the designs are released under the same license.

[www.creativecommons.org/licenses/by-sa/3.0/](http://www.creativecommons.org/licenses/by-sa/3.0/)

Reference designs are provided "AS IS" and "WITH ALL FAULTS". Digilent disclaims all other warranties express or implied, regarding this product, including but not limited to, any implied warranties of merchantability or fitness for any particular application. Digilent may make changes to specifications and product descriptions at any time, without notice.

chipKIT™ Basic IO		Engineer: NEA
SHEET: Connectors		Author: GMA
TITLE: chipKIT Basic IO		Rev: C.0
Doc#: 500-216	Date: 07/01/2011	Sheet: 1/4



# chipKIT™ Basic IO

Engineer: NEA

SHEET: Connectors

Author: GMA

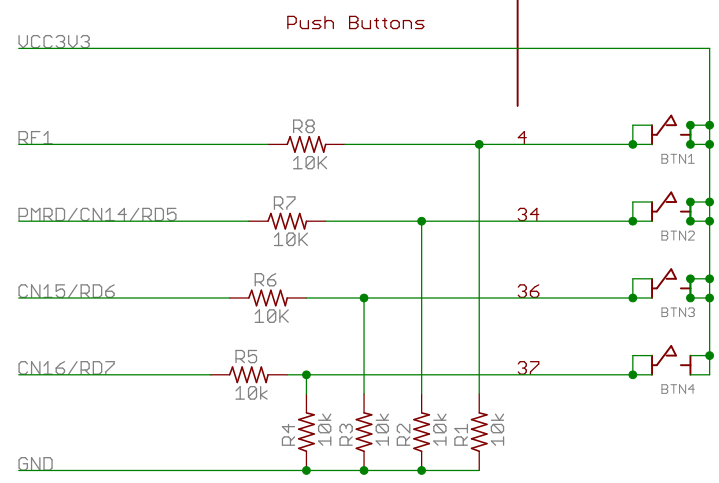
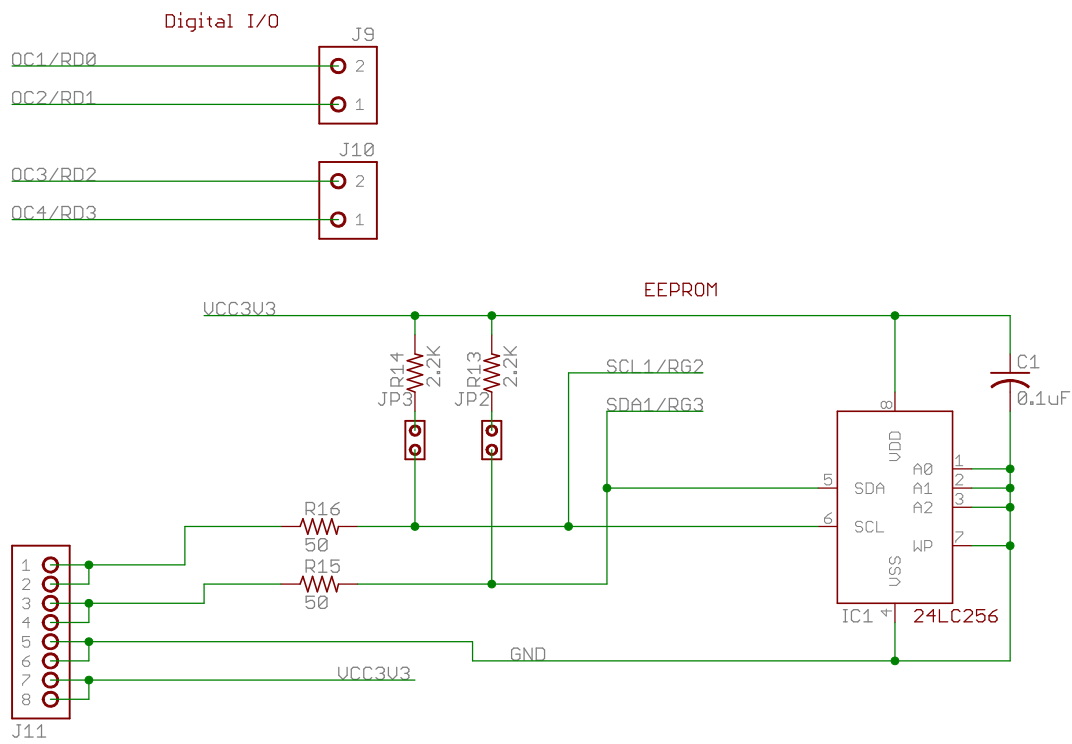
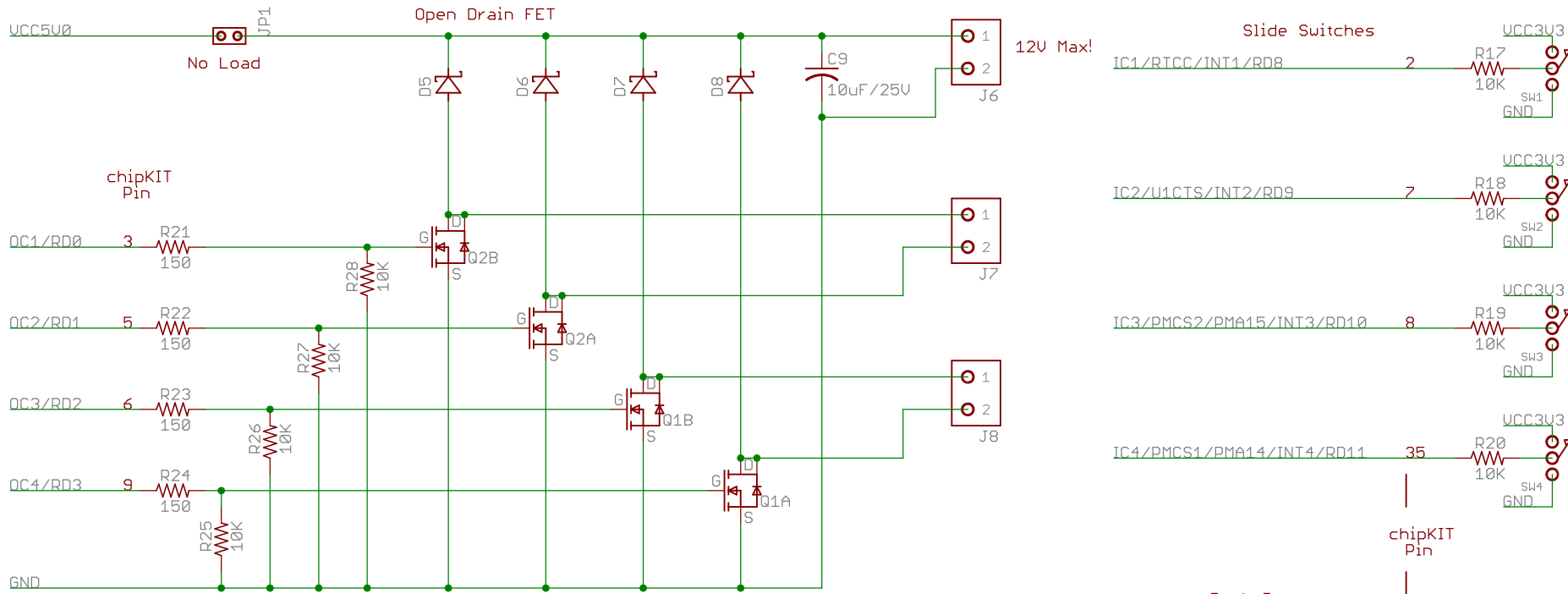
TITLE: chipKIT Basic IO

Rev: C.0

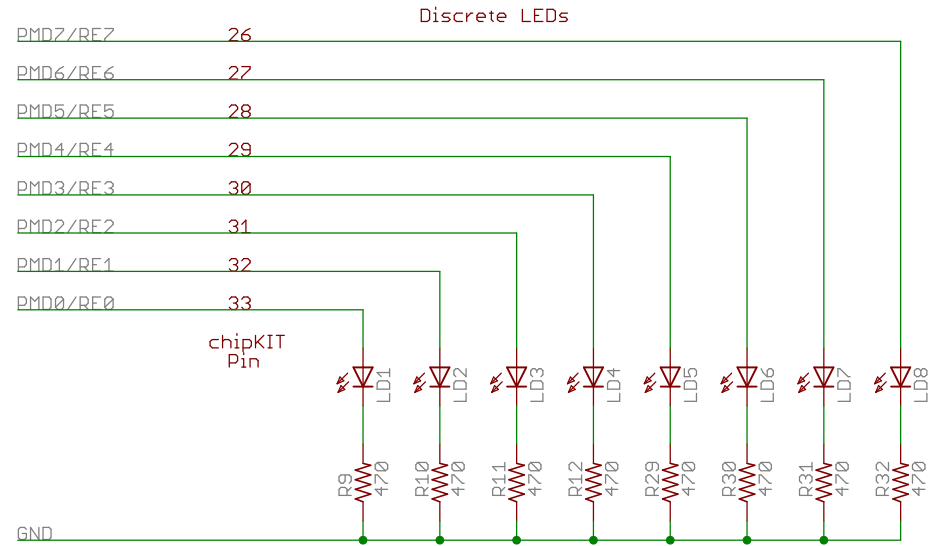
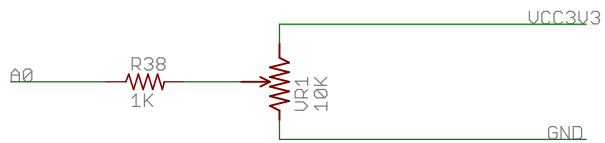
Doc#: 500-216

Date: 07/01/2011

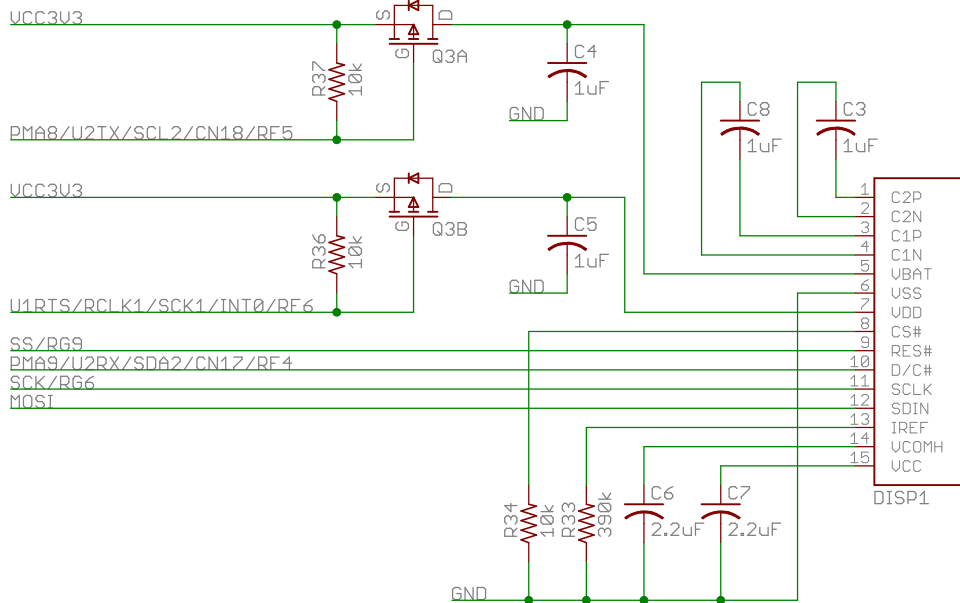
Sheet: 2/4



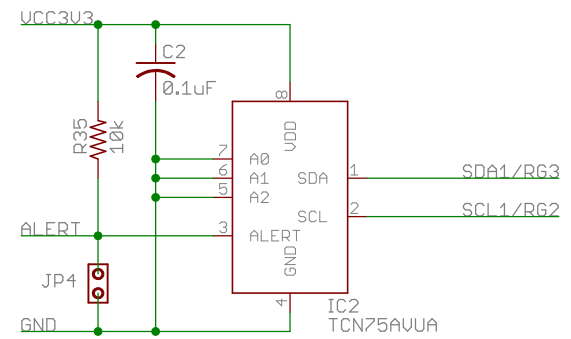
<h1>chipKIT™ Basic IO</h1>		Engineer: NEA
SHEET: Discrete I/O, EEPROM		Author: GMA
TITLE: chipKIT Basic IO		Rev: C.0
Doc#: 500-216	Date: 07/01/2011	Sheet: 3/4



128x32 Pixel OLED Display



Digital Temperature Sensor



# chipKIT™ Basic IO

Doc#: 500-216	Date: 07/01/2011	Engineer: NEA
SHEET: Discrete LEDs, OLED Disp, Temp Sensor		Author: GMA
TITLE: chipKIT Basic IO		Rev: C.0
Sheet: 4/4		