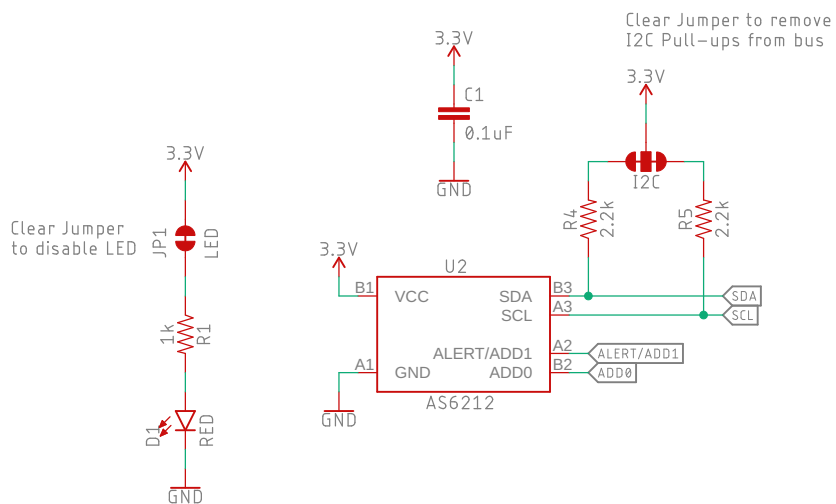


## AS6212 Temp Sensor

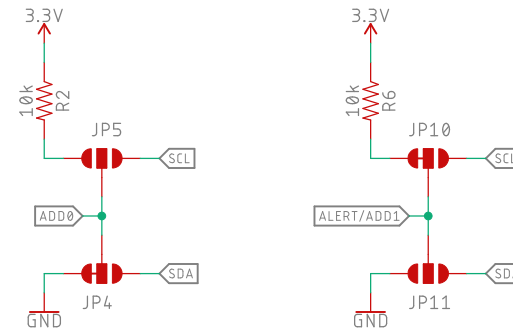
VCC RANGE: 1.71V – 3.6V

(When using other qwiic ecosystem boards, only use 3.3V)

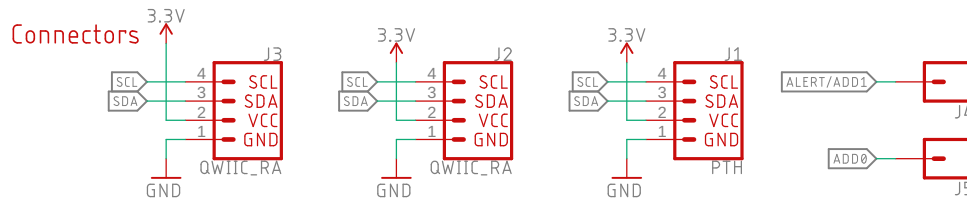


## I2C Address Jumpers / Alert pin pullup

There are 8 jumper selectable I2C addresses  
 DEFAULT: 0x48  
 (Alert Functionality Enabled)



ALERT/ADD1	ADD0	Alert Functionality Enabled	Address
SCL	GND	No	0x44
SCL	VCC	No	0x45
SCL	SDA	No	0x46
SCL	SCL	No	0x47
GND	GND	No	0x48
GND	VCC	No	0x49
GND	SDA	No	0x4A
GND	SCL	No	0x4B
VCC (PU)	GND	Yes	0x48
VCC (PU)	VCC	Yes	0x49
VCC (PU)	SDA	Yes	0x4A
VCC (PU)	SCL	Yes	0x4B



Released under the Creative Commons

Attribution Share-Alike 4.0 License

<https://creativecommons.org/licenses/by-sa/4.0/>



TITLE: Sparkfun\_AS6212\_Qwiic

Design by: Pete Lewis

REV:  
v10

Date: 7/28/2021 3:45 PM

Sheet: 1/1