

TypeZF Mother Board Quick Start Guide

This Quick-Start Guide provides instructions for basic procedure to use TypeZF Mother Board.

1. Contents List

Check that the following components are included.

- Mother Board 1 pc
- J-Link Lite ARM with cable 1 pc
- TypeZF Daughter Board 1pc

J-Link Lite ARM with cable



Mother Board

TypeZF Daughter Board

Figure 1 Contents overview

Need to prepare by yourself.

- Please prepare USB-mini B Cable to connect the Mother Board to PC.

2. Schematics and layout reference

Mother Board

- Schematics: SDKMother_v2.1_schema_131228.pdf
- Layout: SDKMother_v2.1_layout_131228.pdf

TypeZF Daughter Board

- Schematics: ZF-SDKDaughter_schema_131228.pdf
- Layout: ZF-SDKDaughter_layout_140106pdf

Table 2 Connectors and Pin headers of the Mother board



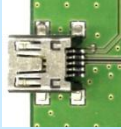
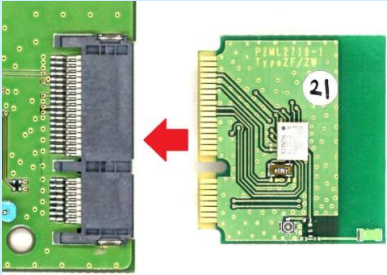


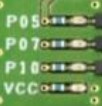
Name	Function	Description	Default Settings	Photo
JLINK	I/O	JLINK connector		
PADS	I/O	Debug pins		
USB	I/O	USB connector		
Daughter	I/O	Connect to the Daughter Board		

Table 3 Buttons and LEDs of the Mother board

Name	Function	Description	Photo
RST	Input	Connected to RST of the Daughter Board	
P11	Input	Connected to P1_1 of the Daughter Board	
P06	Input	Connected to P0_5 of the Daughter Board ^(*)	
P05	LED	Connected to P0_5 of the Daughter Board	
P07	LED	Connected to P0_7 of the Daughter Board	
P10	LED	Connected to P1_0 of the Daughter Board	
VCC	LED	Connected to VCC_EXT of the Mother Board	

Note: ^(*) will be fixed to be connected to P0_6 in the next release

3.2. Configurations of the Mother board

Table 4 Mother Board configuration

#	Description	Related Pins	To do
1	UART connection	EN_ADBUS0 EN_ADBUS1	Both pins are tied by jumpers.
2	Select internal/external Power Supply	3V3 EXT	When using internal 3.0V supply: - 3V3-EXT and MOD-VBAT are tied by jumpers. When using external power supply: - 3V3-EXT is open. - External power is supplied to EXT pin. - MOD-VBAT is still tied.
3	Current Measurement (Internally)	EN_MEAS+ EN_MEAS-	Both pins are tied by jumper.
4	OTP write	SEL_VPP VPP_EXT	When using internal VPP source: - SEL_VPP is set to "INT" When using external VPP source: - SEL_VPP is set to "EXT" - External 6.8V is supplied to VPP_EXT pin

4. Quick Start

This chapter shows how to quickly set up the environment of Mother Board.

1. Connect the Daughter Board to the Mother Board.
2. Connect J-Link adapter to the Mother Board. (Only if J-Link debugging is used)
3. Connect the Mother Board and PC by USB cable.

About Software and other things, please refer following document by Dialog.

"DA14580_SDK_v_2.0.4_ES4_User_Guide.pdf"