

# C3216X7S2A225K160AE

TDK Item Description : C3216X7S2A225KT\*\*\*S

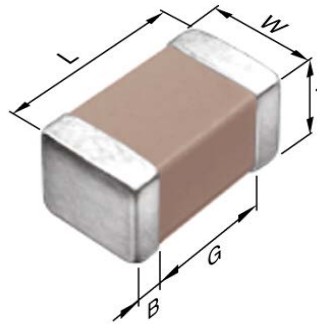


## Application & Main Feature

Commercial Grade ( Soft Termination )

## Series

C3216 [EIA CC1206]



## Dimensions

L	3.20mm +0.4,-0.2mm
W	1.60mm +0.3,-0.2mm
T	1.60mm +0.3,-0.2mm
B	0.20mm Min.
G	1.00mm Min.

## Temperature Characteristic

X7S (-55 to 125 degC +/-22%)

## Rated Voltage

2A (100Vdc)

## Capacitance

2.2uF

## Capacitance Tolerance

K (+/-10%)

## Dissipation Factor

5% Max.

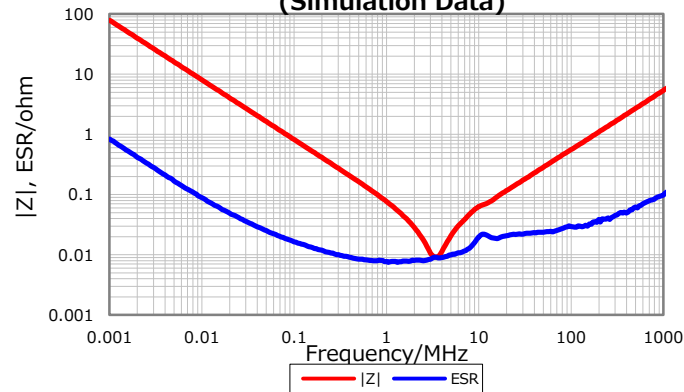
## Insulation Resistance

227Mohm Min.

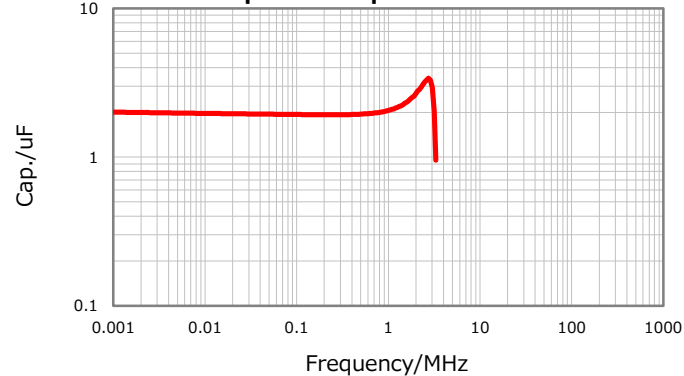
## AEC-Q200

Not Applicable

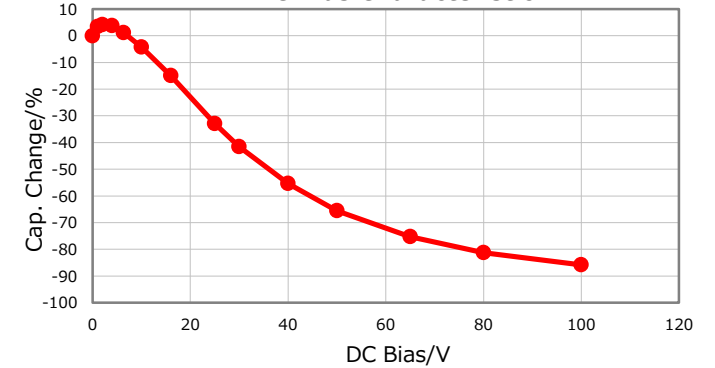
**|Z|, ESR vs. Freq. Characteristics  
(Simulation Data)**



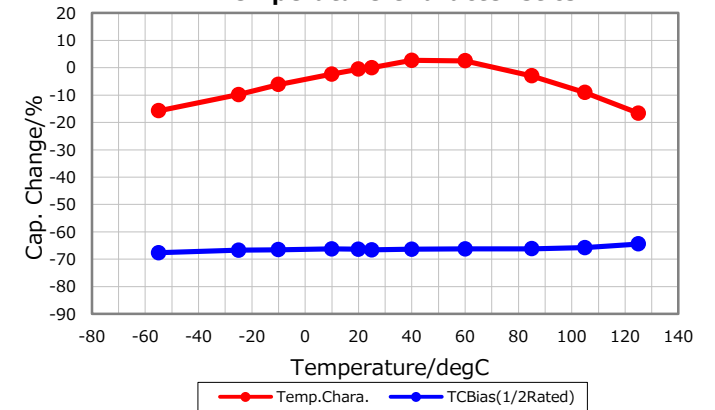
**Cap. vs. Freq. Characteristic**



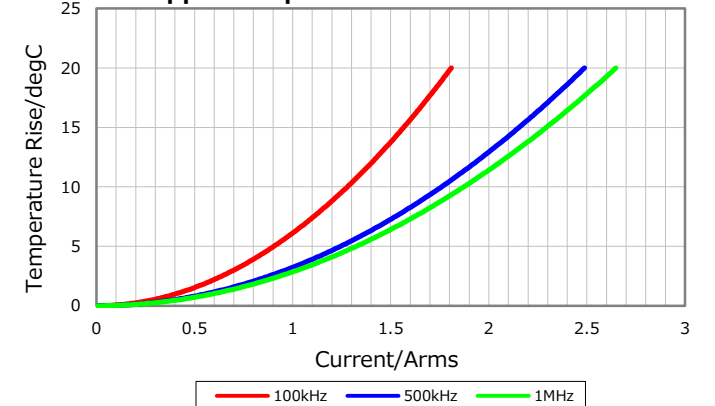
**DC Bias Characteristic**



**Temperature Characteristics**



**Ripple Temperature Rise Characteristics**



Characterization Sheet ( Multilayer Ceramic Chip Capacitors )



All specifications are subject to change without notice.

March 16, 2017