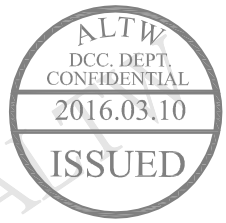
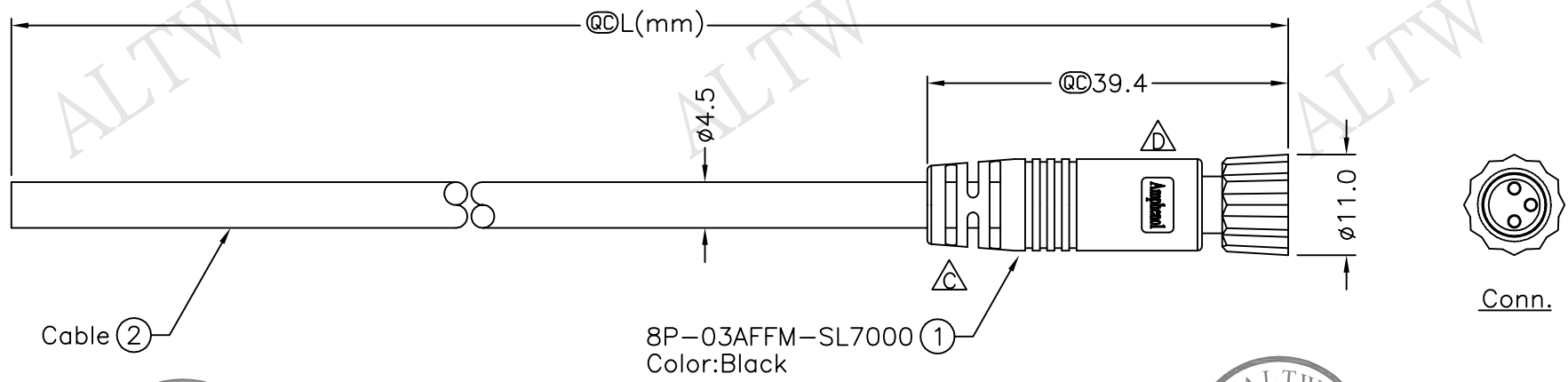
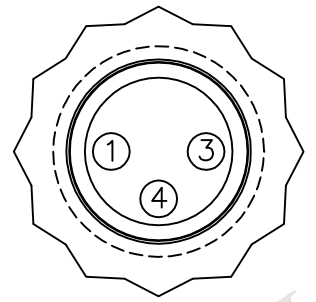


REV.	ECN NO.	DATE	SIGN	DESCRIPTION
B	LEN-920476~479	2009/02/19	Vicky	Update the drawing.
C	LEN11A0108~111	2011/09/19	Jiang Jun Hua	Change SR View
D	LEN1630113~116	2016/02/22	Ruru	Change Logo



8P-03AFFM-SL7BXX
 XX:01~99Meters
 01:01Meter
 02:02Meters
 :
 :
 99:99Meters
 Cable Length(L):01~99Meters

- Notes:
- * @C Important Dimension.
 - * Waterproof Rate:IP67.
 - * Connector:Black,PU.
 - * Female Pin:Copper Alloy,Gold Plated.
 - * Cable:22AWG*3C+Insulation,Black, PU,OD=4.5mm.
 - * Cable Length Tolerance:
 - 01M:±40mm
 - 02M~05M:±60mm
 - 06M~10M:±100mm
 - 11M~30M:±200mm
 - 31M~99M:±500mm



Pin Assignments
Front View

4	Black	黑
3	Blue	藍
1	Brown	棕
Conn.	Wire Color	
	Pin Out	

UNIT:mm	
TOLERANCE	±0.5 mm

TITLE	M8 Conn		
	Cable Screw 3P F Conn F Pin		
SCALE	Free	SHEET 1	OF 1
REV.	D	SIZE	A4
		@C	:Inspection Item

Amphenol LTW
 安費諾亮泰企業股份有限公司

ITEM NO	DRAWN BY	DATE
	Ruru	2016/02/22
DWG NO	CHECKED BY	DATE
8P-03AFFM-SL7BXX	Rita	2016/02/22
CUSTOMER	APPROVED BY	DATE
ALTW	Lisa	2016/02/22

THIS DOCUMENT IS SUBJECT TO CHANGE WITHOUT NOTICE. IT IS CONFIDENTIAL AND A PROPERTY OF Amphenol LTW. DISCLOSURE TO THIRD PARTY HAS TO BE AUTHORIZED BY Amphenol LTW.

1 2 3 4 5 6 7 8