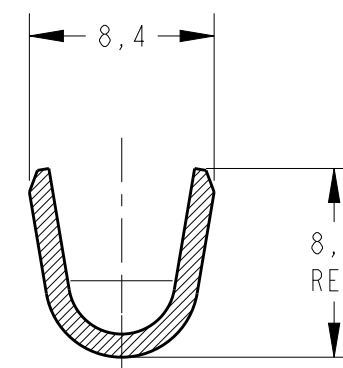
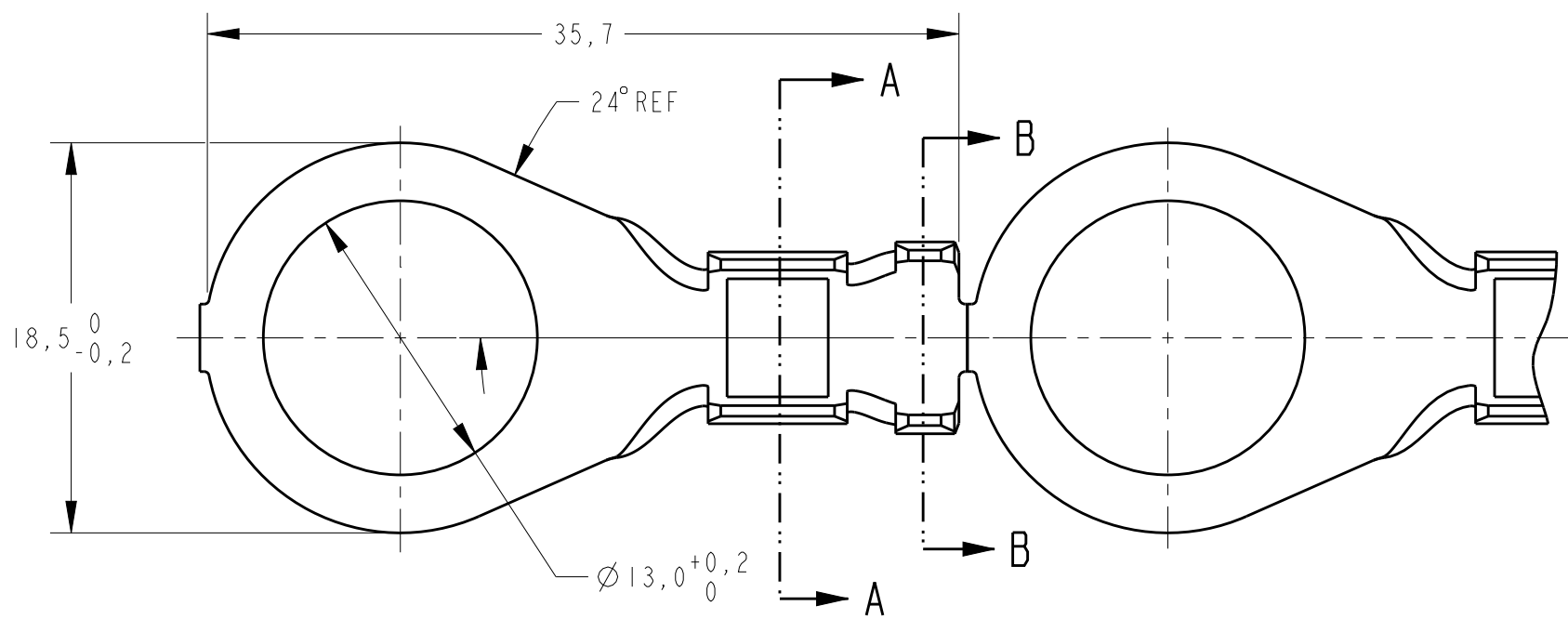


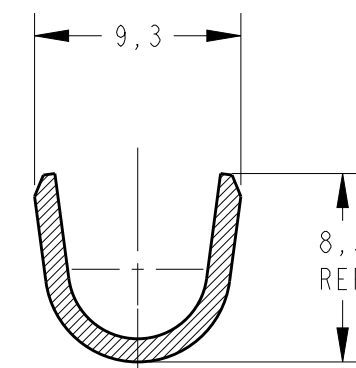
creo  
Creo Parametric 2.0  
**DO NOT REVISE  
EXCEPT BY CAD**

REVISIONS

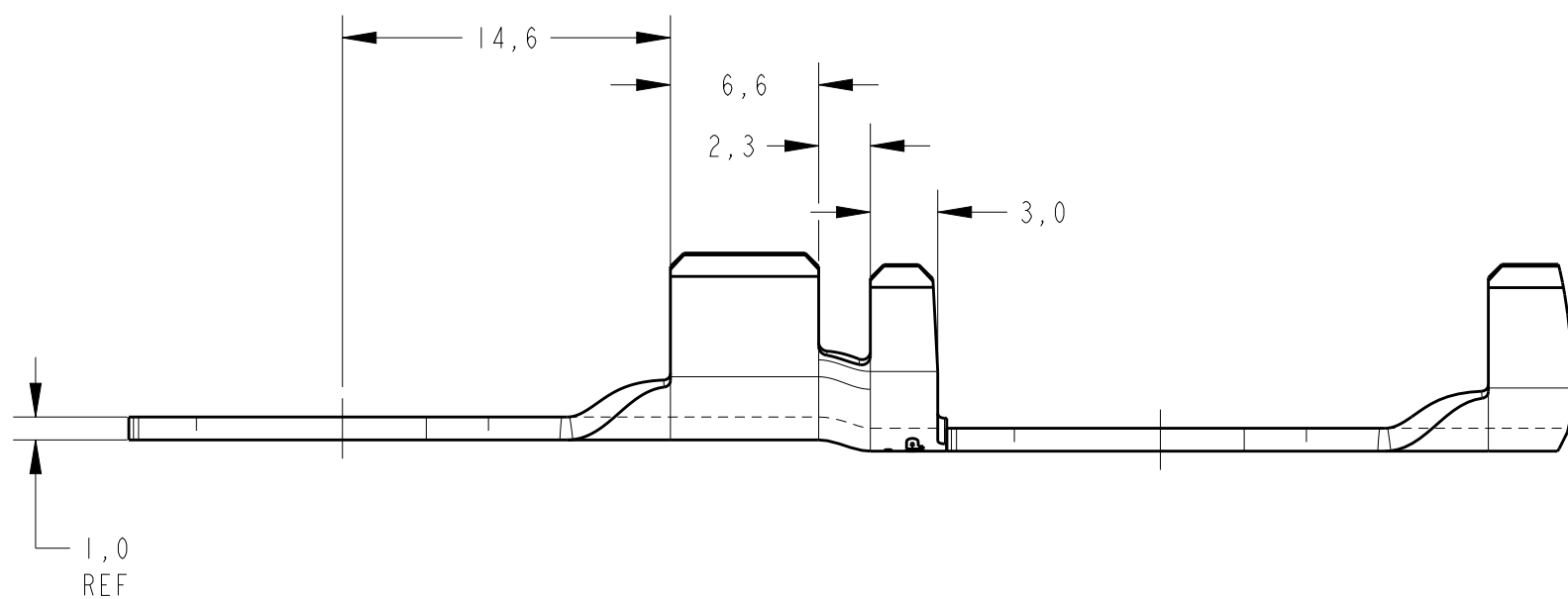
P	LTR	DESCRIPTION	DATE	DWN	APVD
	B	REDRAW BY CAD ECO-14-013530	08SEP2014	NCL	LWP
	B1	REV. BY ECO 16-006124	10JUN2016	HC	WLS



SECTION A-A  
SCALE 3:1



SECTION B-B  
SCALE 3:1



PERSPECTIVE VIEW  
SCALE 1:1

4,6-6,6mm	6,0-10,0mm <sup>2</sup>
INSUL. RANGE	WIRE RANGE

OBSOLETE

SL E 101-26	ESTANHADO / TINNER	LATÃO / BRASS	881011-2
		LATÃO / BRASS	<del>881011-1</del>
FORD PN	FINISH	MATERIAL	PART NO

THIS DRAWING IS A CONTROLLED DOCUMENT.

DIMENSIONS: mm	TOLERANCES UNLESS OTHERWISE SPECIFIED:
	0 PLC ±-
	1 PLC ±0,3
	2 PLC ±-
	3 PLC ±-
	4 PLC ±-
	ANGLES ±1°
MATERIAL SEE TABLE	FINISH SEE TABLE

DWN	NCLAPRESA	10DEC2012
CHK	JRGOLDSCHMIDT	10DEC2012
APVD	DAOLIVEIRA	10DEC2012
PRODUCT SPEC	-	-
APPLICATION SPEC	-	-
WEIGHT	-	-
Customer Drawing		



NAME - RING TONGUE -			
SIZE	CAGE CODE	DRAWING NO	RESTRICTED TO
A3	00779	C-881011	-
SCALE 3:1		SHEET 1 OF 1	REV B1