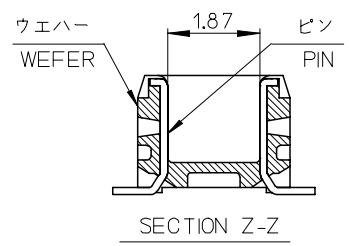


注記
NOTES

1. 使用材料 MATERIAL
ハウジング: LCPガラス入り (黒), UL94V-0
HOUSING: LCP(G.F.)(COLOR: BLACK), UL94V-0
ターミナル: 黄銅 (t=0.15)
TERMINAL: BRASS (t=0.15)
2. メッキ仕様 PLATING
全体仕上げ: 金メッキ 0.1 MICROMETER MIN.
ALL OVER: GOLD 0.1 MICROMETER MIN.
下地メッキ: ニッケルメッキ 1.5 MICROMETER MIN.
UNDER PLATING: NICKEL 1.5 MICROMETER MIN.
3. 基準面 \square からのソルダーテールの半田付け面のズレ量は、上方向 0、下方向 0.15MAX. とする。
MISALIGNMENT OF SOLDER TAIL FROM \square : UPPER DIRECTION 0, LOWER DIRECTION 0.15 MAX.
4. \triangle (全極数/2) = 偶数の場合に適用。
APPLY FOR (CIRCUIT/2)=EVEN.
5. 嵌合相手: 5299I シリーズ 54167 シリーズ
MATE WITH: 5299I SERIES, 54167 SERIES.
6. テール平坦度は、0.1MAX.
TAIL COPLANARITY TO BE 0.1MAX.



7.3	5.24	4.5	502280-0200	20
C	B	A	ENG. No.	極数 CIRCUIT

RELEASED EC NO: J2007-0273 DRWN: TENAGASE 2006/07/28 CHKD: THARUYAMA 2006/08/03 APPR: NUKITA 2006/08/07	GENERAL TOLERANCES (UNLESS SPECIFIED)		DIMENSION STYLE MM ONLY		SCALE 10:1	DESIGN UNITS METRIC	THIRD ANGLE PROJECTION
	10 UNDER	± 0.2	DRAWN BY TENAGASE	DATE 06/05/25	TITLE 0.5 B-TO-B PLUG ASSY 0/M HGT=3.0 (W/O BOSS, NAIL) -LEAD FREE-		
	10 OVER 30 UNDER	± 0.25	CHECKED BY THARUYAMA	DATE 06/05/25			
	30 OVER	± 0.3	APPROVED BY NUKITA	DATE 06/05/25	MOLEX INCORPORATED		
	ANGULAR	± 3 °	MATERIAL NO. 502280-**00	DOCUMENT NO. SD-502280-001			
0	REV	DRAFT WHERE APPLICABLE MUST REMAIN WITHIN DIMENSIONS		THIS DRAWING CONTAINS INFORMATION THAT IS PROPRIETARY TO MOLEX INCORPORATED AND SHOULD NOT BE USED WITHOUT WRITTEN PERMISSION			

10 9 8 7 6 5 4 3 2 1

F

E

D

C

B

A

F

E

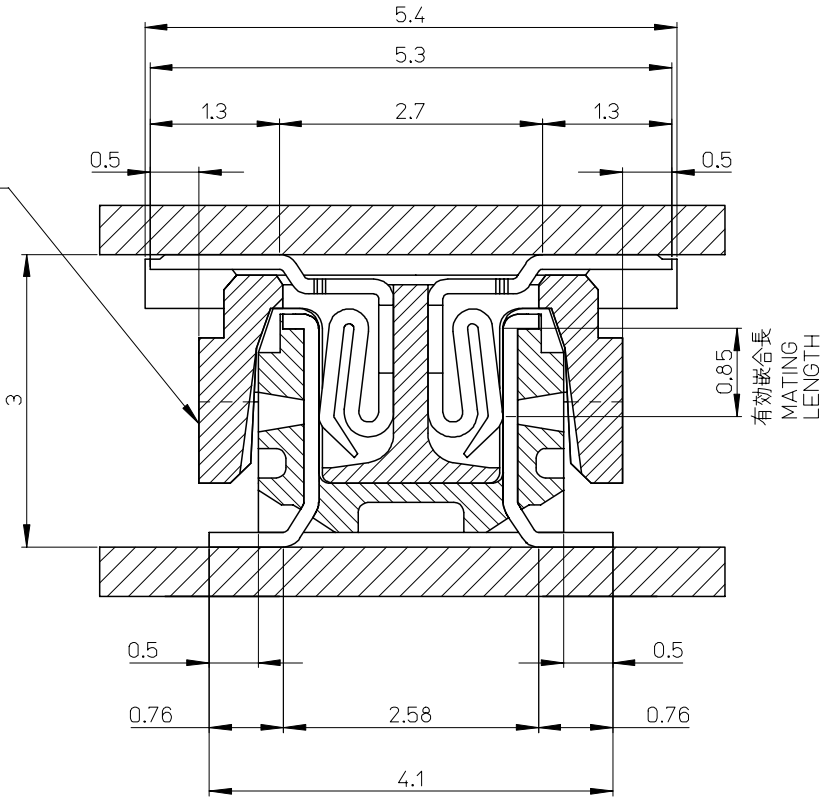
D

C

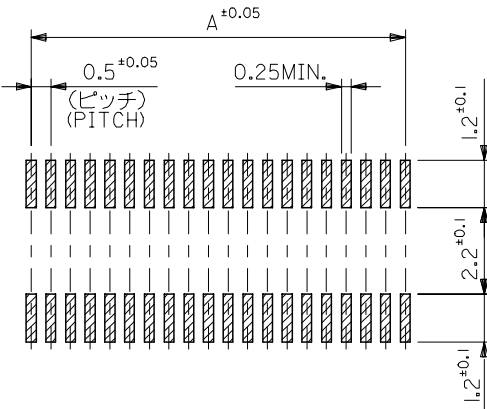
B

A

嵌合相手 MATE WITH
5299|-***0 (白 WHITE)
54167-***1 (黒 BLACK)

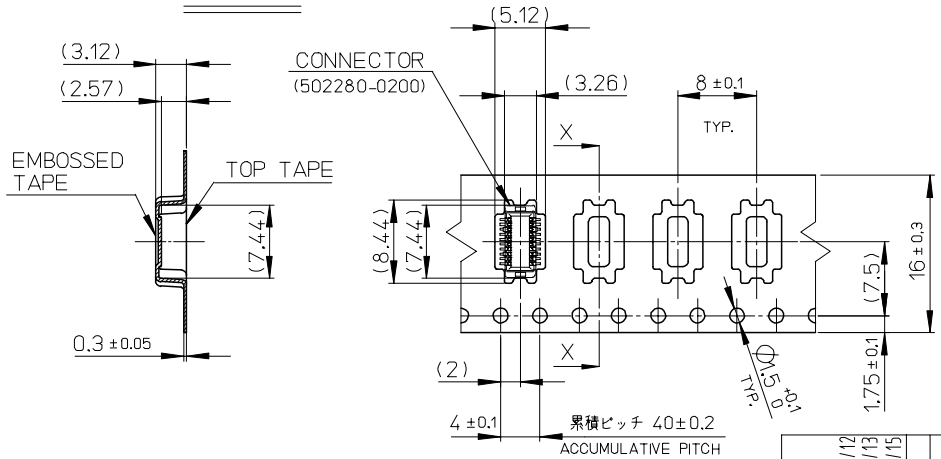
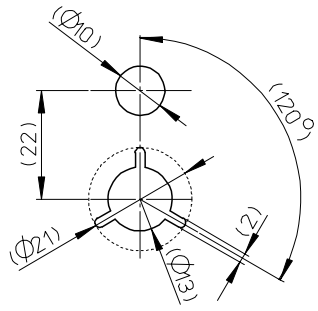
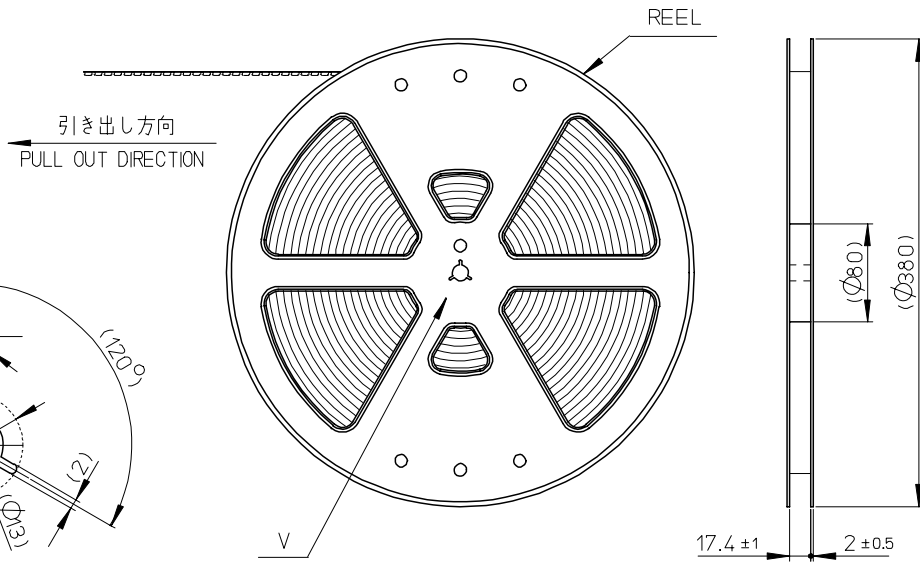


嵌合断面図 (参考)
MATED DRAWING (REF.)



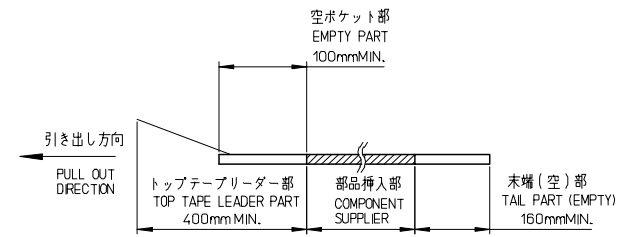
参考基板レイアウト (マウント面)
P.C.BOARD PATTERN
DIMENSION. (REF.)
(MOUNTING AREA)

RELEASED EC NO: J2007-0273 DRWN: TENAGASE 2006/07/28 CHKD: THARUYAMA 2006/08/03 APPR: NUKITA 2006/08/07 REV 0	GENERAL TOLERANCES (UNLESS SPECIFIED)		DIMENSION STYLE MM ONLY		SCALE 10:1	DESIGN UNITS METRIC	THIRD ANGLE PROJECTION		
	10 UNDER	± 0.2	DRAWN BY TENAGASE	DATE 06/05/25	TITLE 0.5 B-TO-B PLUG ASSY 0/M HGT=3.0 (W/O BOSS, NAIL) -LEAD FREE-				
	10 OVER 30 UNDER	± 0.25	CHECKED BY THARUYAMA	DATE 06/05/25	MOLEX INCORPORATED				
	30 OVER	± 0.3	APPROVED BY NUKITA	DATE 06/05/25	MATERIAL NO. 502280-***00		DOCUMENT NO. SD-502280-001	SHEET NO. 2 OF 2	
	ANGULAR ± 3 °		DRAFT WHERE APPLICABLE MUST REMAIN WITHIN DIMENSIONS			SIZE A3		THIS DRAWING CONTAINS INFORMATION THAT IS PROPRIETARY TO MOLEX INCORPORATED AND SHOULD NOT BE USED WITHOUT WRITTEN PERMISSION	



注記
NOTES

- 製品詳細寸法については製品単体図面参照。
DETAILED DIMENTION OF THIS PRODUCT, SEE PRODUCT DRAWING.
- 梱包数量： 3000 個/リール
NUMBER OF CONNECTORS : 3000 PCS/REEL
- リードテープ長さ
LEAD TAPE LENGTH



- 材料 MATERIAL
キャリアテープ：ポリスチレン
CARRIER TAPE : POLYSTYRENE
トップテープ：PET+その他
TOP TAPE : PET+OTHERS
リール：ポリスチレン<リサイクル材含む>
REEL : POLYSTYRENE<RECYCLE MATERIAL CONTAINED>

16mm	502280-0204	20
キャリアテープ幅 CARRIER TAPE WIDTH	製品番号 MATERIAL No.	極数 CIRCUIT

REVISED EC NO: J2007-2224 DRWRT: SUROKA 2007/03/12 CHKDK: TOYODA 2007/03/13 APPR: NUKITA 2007/03/15 REV A	GENERAL TOLERANCES (UNLESS SPECIFIED)		DIMENSION STYLE MM ONLY		SCALE ---	DESIGN UNITS METRIC	THIRD ANGLE PROJECTION
	10 UNDER	± 0.2	DRAWN BY TENAGASE	DATE 06/05/25	TITLE EMBOSSSED TAPE PKG FOR 0.5 B-TO-B PLUG ASSY 0/M HGT=3.0 -LEAD FREE-		
	10 OVER 30 UNDER	± 0.25	CHECKED BY THARUYAMA	DATE 06/05/25	MOLEX INCORPORATED		
	30 OVER	± 0.3	APPROVED BY NUKITA	DATE 06/05/25	DOCUMENT NO. SD-502280-002		
	ANGULAR	± 3 °	MATERIAL NO. 502280-**04		SHEET NO. 1 OF 1		
DRAFT WHERE APPLICABLE MUST REMAIN WITHIN DIMENSIONS		SIZE A3		THIS DRAWING CONTAINS INFORMATION THAT IS PROPRIETARY TO MOLEX INCORPORATED AND SHOULD NOT BE USED WITHOUT WRITTEN PERMISSION			