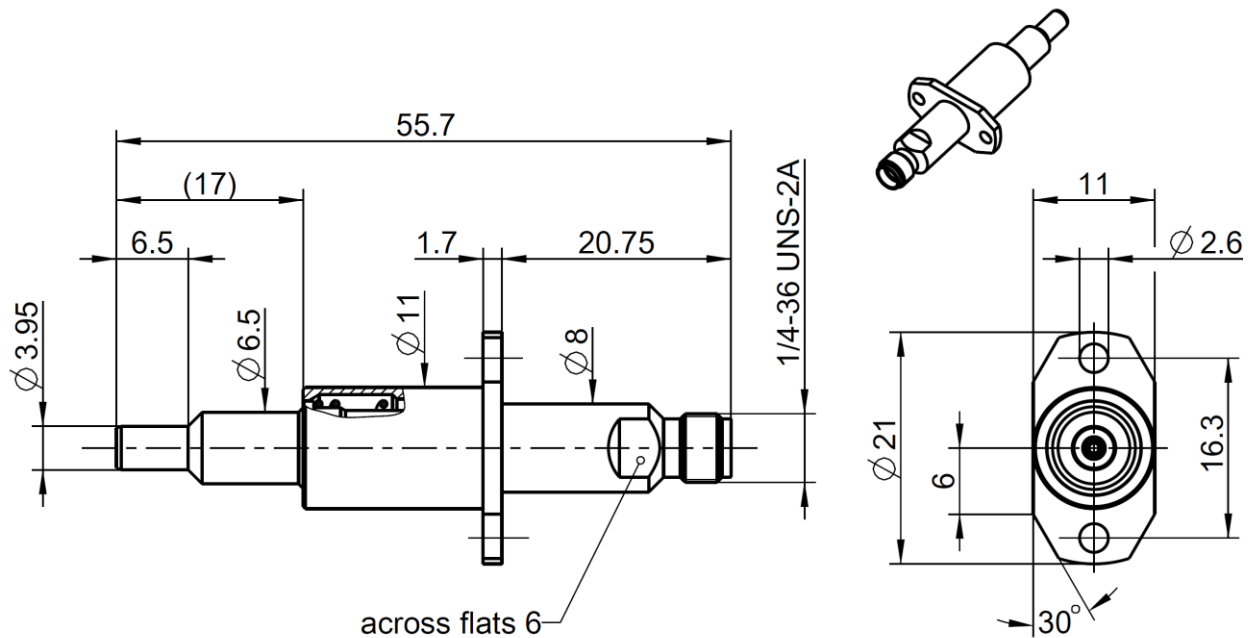


P-SMP
Adaptor
Floating P-SMP Jack -
SMA

119K732-K0BS5



All dimensions are in mm; tolerances according to ISO 2768 m-H

Interface

P- SMP
SMA according to

Spring loaded center- and outer contact
IEC 60169-15; EN 122110; MIL-STD-348

Documents

N/A

Material and plating

Connector parts

Center contacts
Outer contact P-SMP side
Outer contact SMA side
Body
Spring
Dielectric

Material

CuBe
Stainless steel
Brass
Brass
Stainless steel
PTFE

Plating

AuroDur®, gold plated
Passivated
Flash white bronze over silver(e.g. Optargen®)
Flash white bronze over silver(e.g. Optargen®)
Passivated

Dieses Dokument ist urheberrechtlich geschützt • This document is protected by copyright • Rosenberger Hochfrequenztechnik GmbH & Co. KG

RF_35/09.14/6.2

P-SMP Adaptor
Floating P-SMP Jack -
SMA

119K732-K0BS5

Electrical data

Impedance 50 Ω
 Frequency DC to 6 GHz
 Return loss ≥ 28 dB, DC to 3 GHz
 ≥ 18 dB, 3 to 6 GHz
 Insertion loss ≤ 0.08 x √f(GHz) dB, DC to 6 GHz
 Insulation resistance ≥ 5 GΩ
 Center contact resistance ≤ 3 mΩ
 Outer contact resistance ≤ 2 mΩ
 Test voltage 1000 V rms
 Working voltage 480 V rms
 Power handling (at 20 °C, sea level, VSWR 1.0) ≤ 200 W @ 2.2 GHz

Mechanical data

	P-SMP side	SMA side
Mating cycles	≥ 1000	≥ 500
Center contact captivation: axial	≥ 15 N	
Center contact	≤ 2 N at 1.4mm spring travel	
Outer contact	≤ 8 N at 2mm spring travel	
Permissible angular misalignment	4°	
Working travel	recommended: 4.3mm	
	maximum: 6.3mm	

Environmental data

Temperature range -40°C to +85°C
 Rapid change of temperature IEC 60169-1, Sub-clause 16.4 (-40°C to +85°C)
 Vibration IEC 60068-2-64 random
 Shock IEC 60068-2-27 (half-sine)
 High temperature endurance IEC 60169-1, Sub-clause 18 (+85°C, 1000 hours)
 RoHS compliant

Weight

Weight 16.8 g/pce

While the information has been carefully compiled to the best of our knowledge, nothing is intended as representation or warranty on our part and no statement herein shall be construed as recommendation to infringe existing patents. In the effort to improve our products, we reserve the right to make changes judged to be necessary.

For the installation of the electrotechnical equipment, particular electrotechnical expertise is required.



Dieses Dokument ist urheberrechtlich geschützt • This document is protected by copyright • Rosenberger Hochfrequenztechnik GmbH & Co. KG

RF_35/09.14/6.2

Draft	Date	Approved	Date	Rev.	Engineering change number	Name	Date
Huppenberger	15.12.10	Chr. Janßen	19.10.20	c00	20-1927	S. Huber-Siegl	19.10.20
Rosenberger Hochfrequenztechnik GmbH & Co. KG P.O.Box 1260 D-84526 Tittmoning Germany www.rosenberger.de						Tel. : +49 8684 18-0 Email : info@rosenberger.de	
						Page 2 / 2	