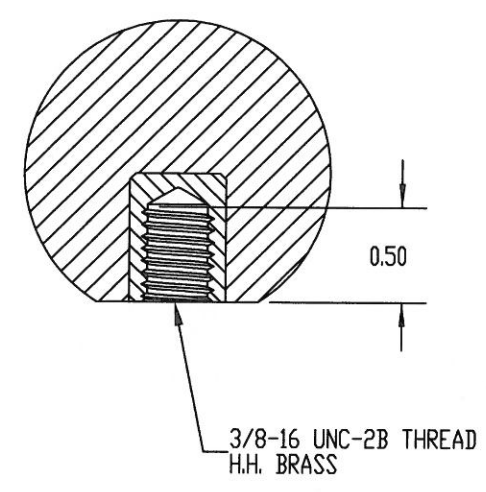
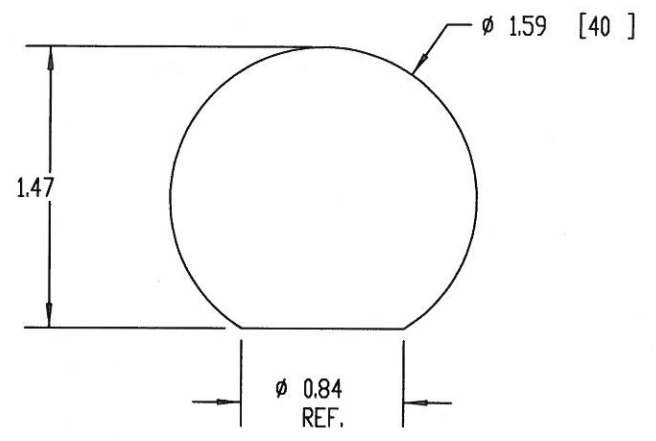


PART NAME: BALL KNOB SCALE: 1:1 DATE: 3/21/19 DR. BY: JAM

DAVIES MOLDING DESIGNERS & MANUFACTURERS
OF KNOBS, HANDLES, CASES &
CUSTOM PLASTIC COMPONENTS

P/N 0151

THIS DRAWING IS THE PROPERTY OF DAVIES HOLDING COMPANY, IS SUBMITTED SOLELY AS A DESIGN OR ENGINEERING PROJECT.
WE ACCEPT NO RESPONSIBILITY WHATSOEVER FOR THE PRACTICAL APPLICATION OF THE PIECES MADE TO THIS DESIGN.



MATERIAL: NBR RUBBER
COLOR: BLACK