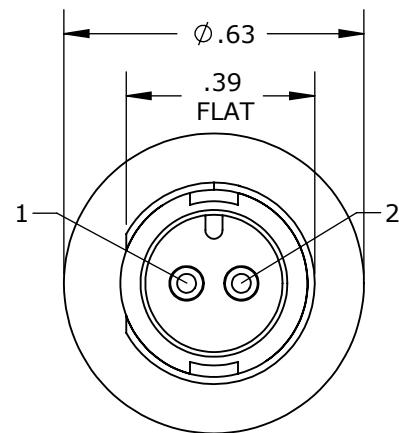
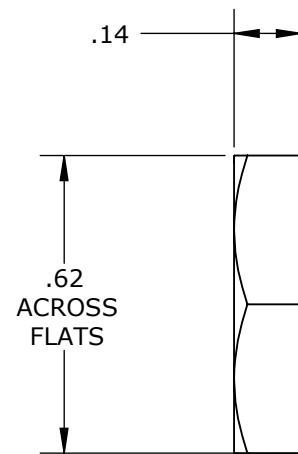


| PART NO. | NO. OF PINS |
|---------------|-------------|
| 17281-2PG-300 | 2 |
| 17281-3PG-300 | 3 |

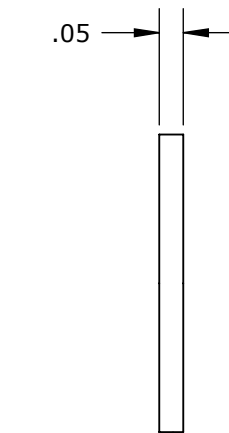
- NOTES:
 1. PARTS ARE BULK PACKED.
 2. CONTACTS ARE INSERTED INTO PANEL CONNECTOR.
 3. ALL DIMENSIONS ARE FOR REFERENCE ONLY UNLESS OTHERWISE SPECIFIED.



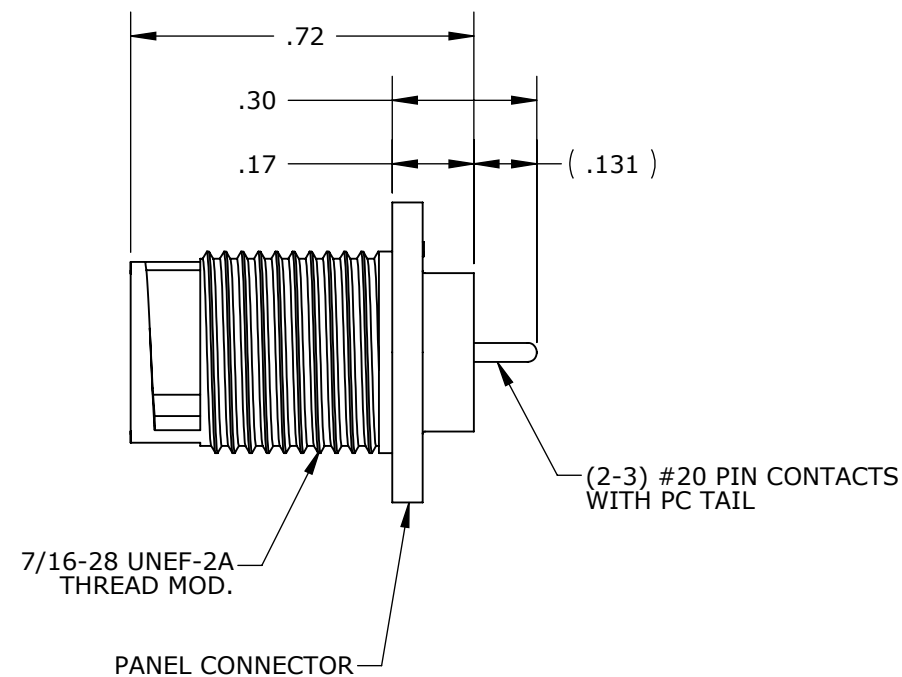
FACE VIEW
17281-2PG-300



HEX NUT



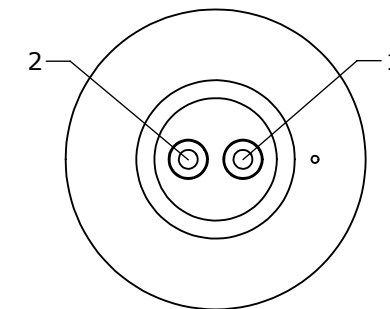
GASKET



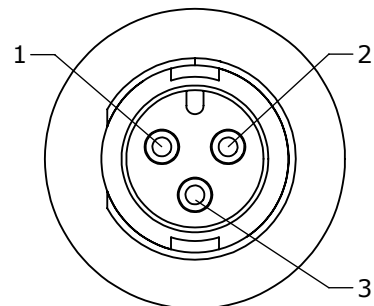
7/16-28 UNEF-2A
THREAD MOD.

PANEL CONNECTOR

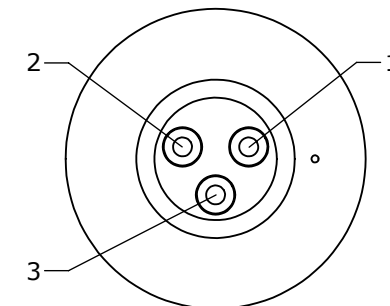
(2-3) #20 PIN CONTACTS
WITH PC TAIL



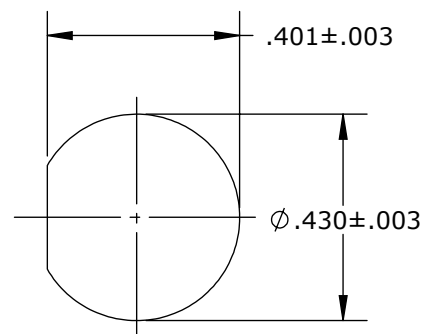
WIRE VIEW
17281-2PG-300



FACE VIEW
17281-3PG-300



WIRE VIEW
17281-3PG-300



**RECOMMENDED
PANEL CUT-OUT**

CUSTOMER APPROVAL

THIS DOCUMENT CONTAINS CONFIDENTIAL INFORMATION PROPRIETARY TO CONXALL CORPORATION. ANY REPRODUCTION, DISCLOSURE, OR USE OF THIS DOCUMENT /INFORMATION IS EXPRESSLY PROHIBITED UNLESS AUTHORIZED IN WRITING BY CONXALL CORPORATION.

APPROVED BY: _____
 DATE: _____

| REV. | INIT. | DATE | DESCRIPTION |
|------|-------|----------|--------------------------------------|
| A | BZ | 05-28-09 | DRAWING CREATED PER DOR 09-E149SL |
| BZ | | 05-28-09 | ORIG. DRAWN BY: DATE: CHECKED BY: |
| | | | APPROVED BY: |
| | | | SCALE: NTS SIZE: B SHEET: 1 OF 1 |
| | | | FILE: 17281-XPG-300 DIRECTORY: SLW |
| | | | PART NUMBER: 17281-XPG-300 |



TITLE: PANEL MOUNT ASSEMBLY
(2-3) #20 PIN CONTACTS, PC TAIL
MICRO-CON-X
CUSTOMER: STANDARD PRODUCT

ALL UNITS ARE IN FEET, INCHES, FRACTION OF INCHES AND DECIMALS.
 - CRITICAL CHARACTERISTIC FLAG PER SPEC. XXXX

REV A

CUSTOMER PRINT

PART NUMBER: 17281-XPG-300