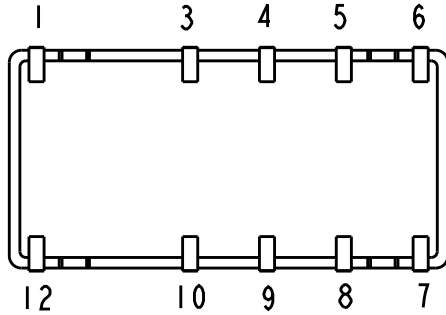
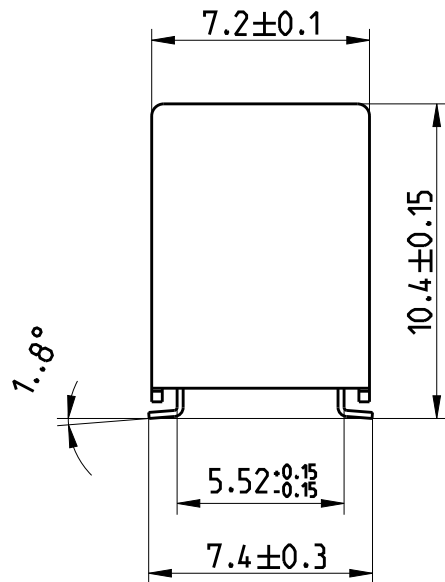
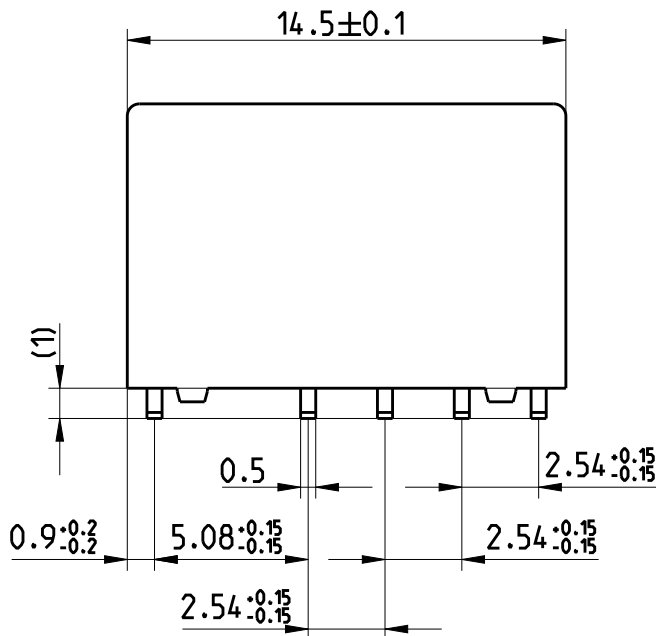


LOC	DIST	REVISIONS					
		P	LTR	DESCRIPTION	DATE	DWN	APVD
-	-		B	Change marking	11SEP2009	UKo	HD
			C	Printing	10MAY2010	UKo	HD
			C1	Printing Date-Code	20AUG2010	UKo	HD
			C2	drawing logo change	16APR2013	ZC	PH
			C3	ECR-16-015097	25-Oct-16	JK	PH



Relay - bottom view



xx = Relay type
YYWWD = Date code

DRAWING ALIAS C23303-A079-A007

2006

RELEASED FOR PUBLICATION

ALL RIGHTS RESERVED.

THIS DRAWING IS UNPUBLISHED.

© COPYRIGHT 2006

DIMENSIONS: mm	DWN Jan Kadlec	25-Oct-16	MATERIAL	-	FINISH	-
	CHK Robert Kaspar	25-Oct-16	TE Connectivity			
TOLERANCES UNLESS OTHERWISE SPECIFIED: DIN 7168-m	APVD Petr Hofman	25-Oct-16				
0 PLC ±-	PRODUCT SPEC	-	NAME P2-Relay SMT N (Narrow) Dimensions			
1 PLC ±	APPLICATION SPEC	-	SIZE	CAGE CODE	DRAWING NO	RESTRICTED TO
2 PLC ±	WEIGHT	-	A4	00779	C-1393788-6	-
3 PLC ±	CUSTOMER DRAWING	SCALE		4:1	SHEET	1 OF 1
4 PLC ±		REV		C3		
ANGLES ±-						