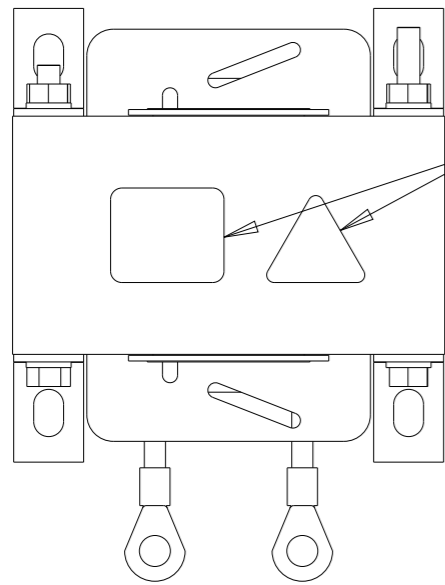
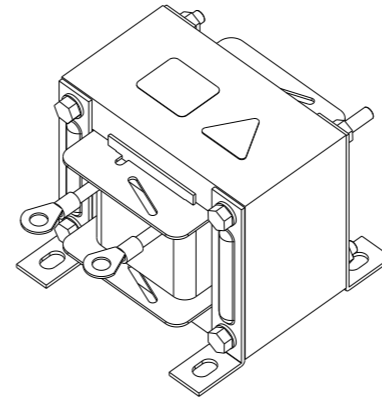


REVISIONS

P	LTR	DESCRIPTION	DATE	DWN	APVD
	A	RELEASED FOR PRODUCTION	10FEB2023	DM	CB
	A1	ADDING PRODUCT DATA	07MAR2023	DM	CB



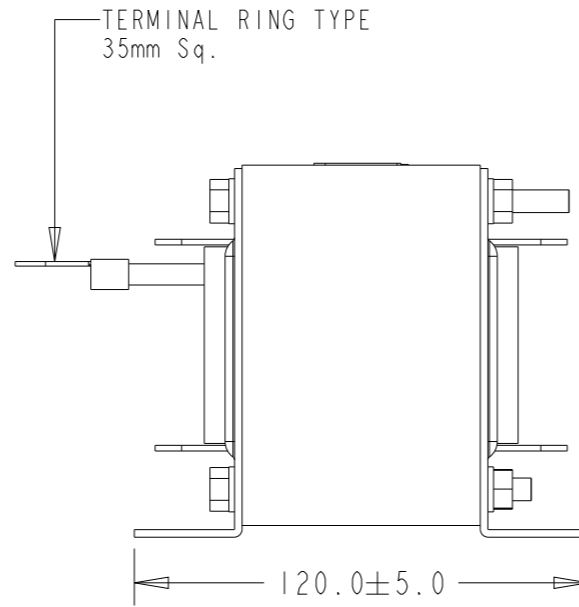
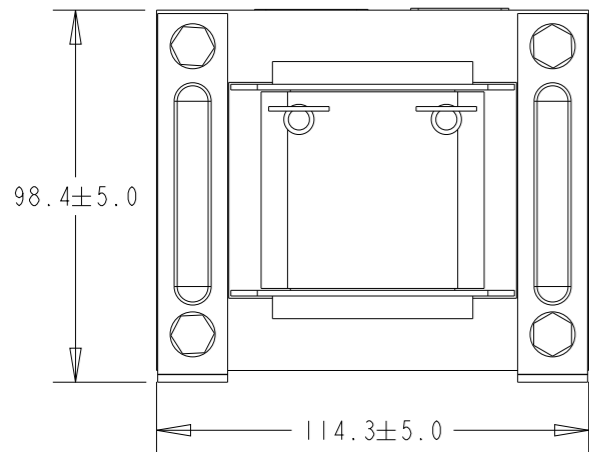
LABELS



NOMINAL OPERATING VOLTAGE (VAC)	230
RATED OPERATING VOLTAGE (VAC)	250
FREQUENCY (Hz)	50 / 60
RATED CURRENT (AMPS)	63
OP. TEMP. RANGE @ RATED CURRENT	-45°C to +45°C
RATED POWER @ 230VAC (kW)	13.04
RATED POWER @ 230VAC (HP)	17.48
IMPEDANCE @ 230VAC (%)	4
INDUCTANCE, NOMINAL (mH)	0.465
POWER OVERLOAD, 1 MINUTE EVERY HOUR	1.6
VOLTAGE WITHSTAND 1 MINUTE (kVAC)	2
POLLUTION DEGREE	PD2
COOLING	NATURAL
PROTECTION CLASS	IP00
INSULATION CLASS	N
STORAGE TEMPERATURE RANGE (°C)	-45°C to +100°C
CLIMATIC CATEGORY	45/100/21
DESIGN CORRESPONDING TO	EN61558-2-20, EN60076-6, UL61800-5-1

PRODUCT DESIGN NOTE

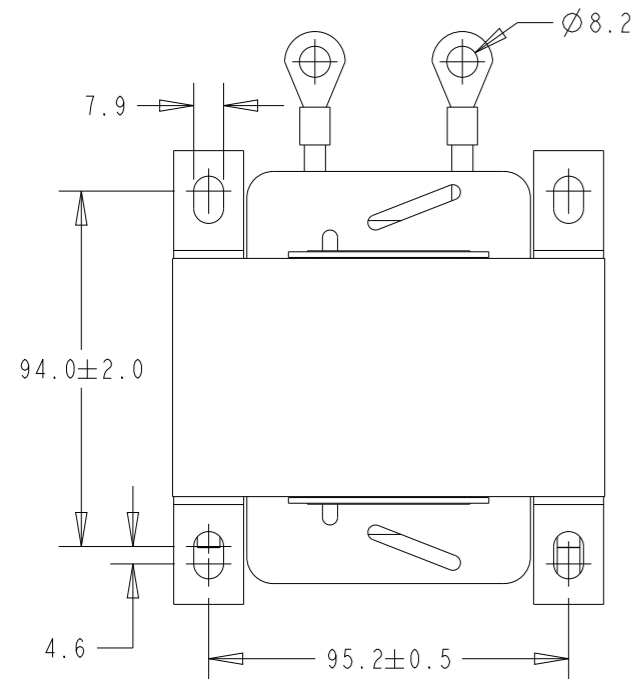
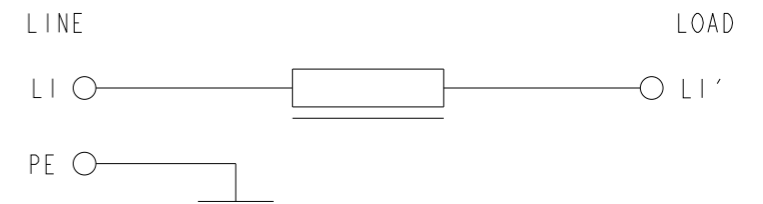
DESIGN IN ACCORDANCE WITH UL 508



DE-RATING FORMULAE FOR OPERATION ABOVE 45°C AMBIENT CONDITIONS:

$$I = I_n \sqrt{\frac{100 - T_{a\ new}}{100 - 45}}$$

TYPICAL CIRCUIT DIAGRAM



ROHS COMPLIANT

THIS DRAWING IS A CONTROLLED DOCUMENT.		DWN	C. BOLLE	05OCT2022		NAME RPO-1-63 SINGLE LINE REACTOR
DIMENSIONS: mm		CHK	C. BOLLE	05OCT2022		
TOLERANCES UNLESS OTHERWISE SPECIFIED:		APVD	L. RAJ	05OCT2022		
0 PLC ±- 1 PLC ±0.1 2 PLC ±0.01 3 PLC ±0.001 4 PLC ±0.0001 ANGLES ±-		PRODUCT SPEC	-	-		
MATERIAL		APPLICATION SPEC	-		SIZE	A3
FINISH		WEIGHT	-		CAGE CODE	00779
-		CUSTOMER DRAWING	-		DRAWING NO	1-2432408-4
-		SCALE	1:2		SHEET	1 OF 1
-		REV	A1		RESTRICTED TO	-