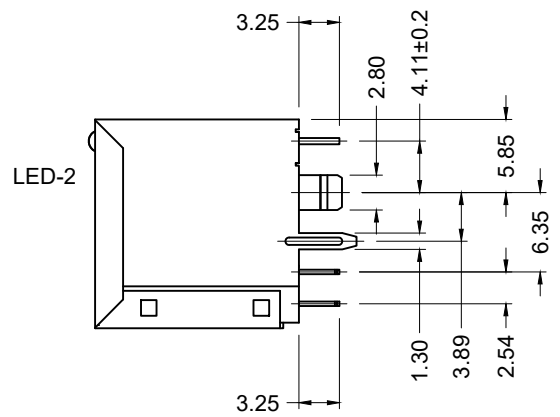
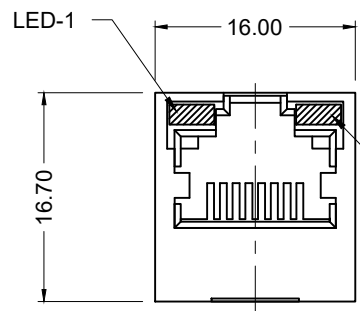
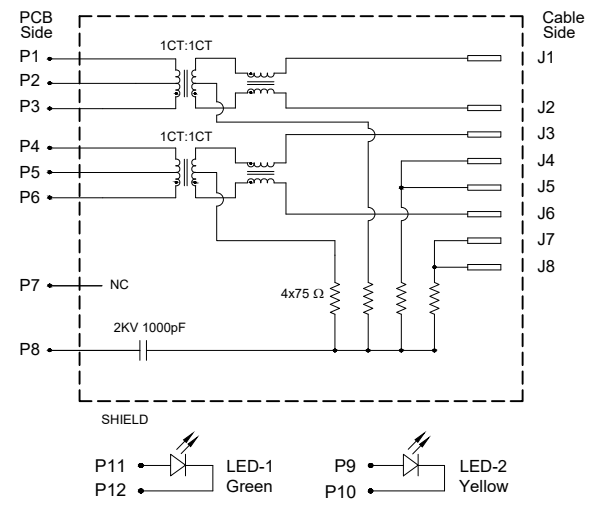


Recommended PCB Layout (Top View)



Magnetics Schematic



Materials and Finish

Housing: PBT Thermoplastic
 UL 94V-0 Rated
 Color: Black

Shield: Copper Alloy, Nickel Plated

Contact Material:
 Phosphor Bronze

Plating Options:

Standard: Nickel Underplating,
 Gold Flash Plating on Contact Area
 and Signal Pin Solder Tails,
 Tin Plated on LED Solder Tails

50 Option: Nickel Underplating,
 Contact Area Plated with 50u" Gold
 to Comply with ANSI/TIA-1096-A, Gold
 Flash Plating on Signal Pin Solder Tails,
 Tin Plated on LED Solder Tails

Electrical Characteristics

Insulation Resistance:
 500 Megohms Min.

Contact Resistance:
 20 milliohms Max.

Dielectric Withstanding Voltage:
 500V AC for 1 Minute

Mechanical Characteristics

Durability Rating:
 500 Mating Cycles Min.

Operating Temperature:
 -40°C to +85°C

Electrical Properties:

| Insertion Loss (dB Typ) | Return Loss at 100Ω (dB Min) | | Cross Talk (dB Min) | CMR (dB Min) |
|----------------------------|------------------------------------|----------|------------------------|-----------------|
| | 1~30MHz | 60~80MHz | | |
| 1~100MHz | -18 | -12 | 1~100MHz | 30~100MHz |
| -1.1 | -18 | -12 | -30 | -35 |

| Part Number | Contact Area Plating Finish |
|----------------------|-----------------------------|
| G3LX-188S1-FF-GY1 | Gold Flash (Standard) |
| G3LX-188S1-FF-GY1-50 | 50u" Gold (50 Option) |

| Tolerances |
|----------------------------|
| X.X ± 0.35 |
| X.XX ± 0.25 |
| Unless Stated Otherwise |



| REV. | DATE | DESCRIPTION | REV. BY | CHK. BY | DRAWN BY | DATE |
|------|----------|------------------------|-------------|-------------|----------|----------|
| A0 | 07/28/14 | New Drawing | W. Cook | P. DalCanto | W. Cook | 05/13/14 |
| A1 | 07/30/14 | Release Drawing | C. Kelleher | N/A | | |
| A2 | 02/12/15 | ECO #15-016 | D. Gih | H. MA | | |
| A3 | 04/17/15 | Update Operating Temp. | W. Cook | C. Furumasu | | |
| A4 | 08/03/16 | Update Address | D. Shehan | | | |

G3LX-188S1-FF-GY1

8P8C ModJack, Vertical, Shielded
 w/LED, Magnetics, RoHS Compliant

