

Type BLR-I-906-G

Fuse Block - Indicating

6 Pole - Regular, ATC/ATO Auto Blade

With 6-Position Grounding Block



www.optifuse.com (619) 593-5050

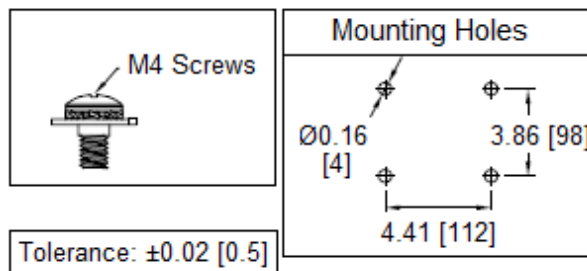
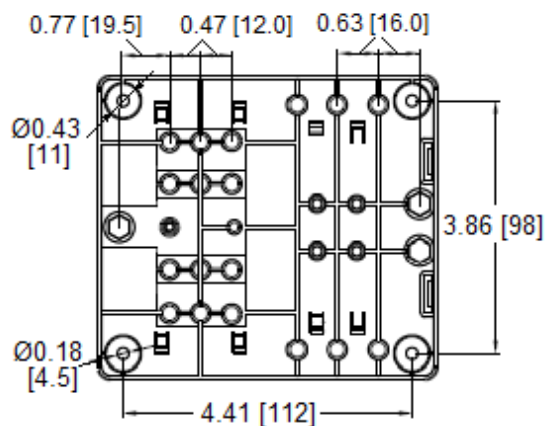
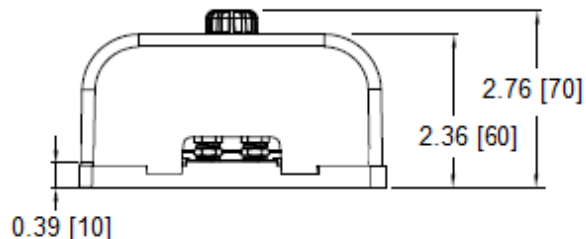
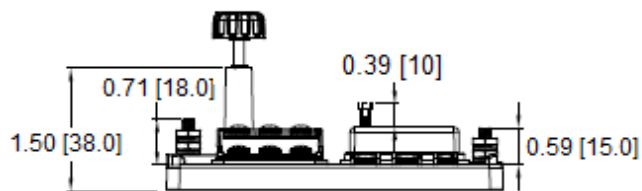
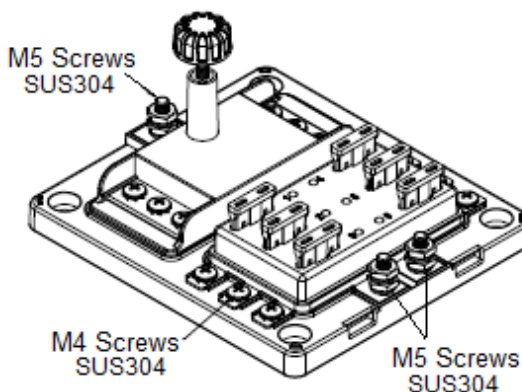
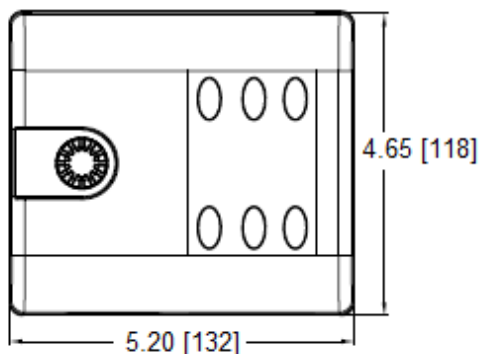
Specifications:

Max Voltage: 32VDC
Max Current Rating: 30A per Circuit - 100A Max
Fuse Type: Regular, ATO / ATC, Auto Blade (APR / ANR series)
 (Fuses or Circuit Breakers)
Mounting: 4 mounting holes, 4.5mm diameter
Indicating LED – Red
Temperature Rating: -20° C ~ +85° C

Material:

Base: PBT, Black
Cover: PC, Clear
Terminals: Copper

Mechanical Dimensions: Inches [mm]



Warning:



-Operation beyond the specified maximum ratings or improper use may result in damage and possible electrical arcing and/or flame.
 -Avoid contact of device with chemical solvent. Prolonged contact may damage the device performance.