
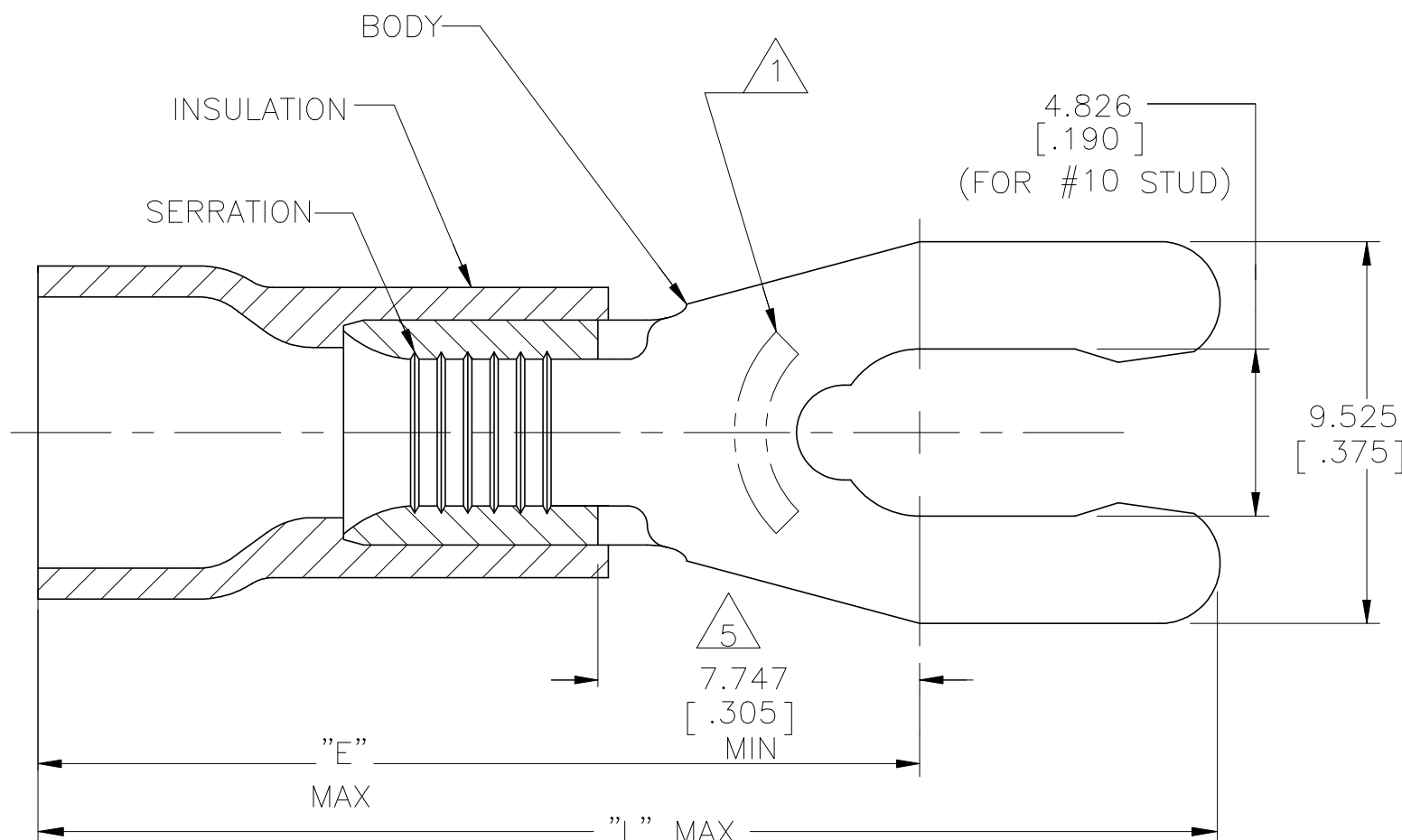



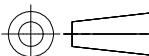
P	LTR	DESCRIPTION	DATE	DWN	APVD
N		REVISED PER ECR-23-163311	08MAR2023	BB	DSC

AMP WIRE RANGE	 Listed FILE E13288
12-10 AWG SOLID OR STRANDED	12 AWG STRANDED



- ① STAMP 10S AMP 12-10* APPROX AS SHOWN
- ② SEE TABLE FOR WIRE INSUL DIA
- ③ BODY MATERIAL THK: 1.016±.051 [.040±.002]
- ④ MATERIAL: BODY - BRASS PER ASTM B36
INSULATION - PVC
- ⑤ APPLIES FROM EDGE OF METAL WIRE BARREL TO
CENTER OF STUD HOLE
- ⑥ FINISH:
BODY - TIN PLATE 0.00254 [.000100]
MIN EXT THK PER ASTM B545
INSUALTION COLOR - YELLOW

32.461 [1.278]	24.511 [.965]	6.350-7.620 [.250-.300]	1500	ON TAPE, REEL	52475-3
30.963 [1.219]	23.012 [.906]	2.667-5.080 [.105-.200]	500	LOOSE PIECE	52475
L	E	WIRE INSUL DIA	QTY	PACKAGE TYPE	PART NO

AMP INCORPORATED CUSTOMER SERVICE SYSTEMS		MAX RECOMMENDED OPERATING TEMPERATURE: 105°C [221°F]	THIS DRAWING IS A CONTROLLED DOCUMENT.		DWN L OLMEDA 26JUN95	 TE Connectivity
			DIMENSIONS: mm [INCHES]	TOLERANCES UNLESS OTHERWISE SPECIFIED:	CHK M ELLIS 26JUN95	
FOR ADDITIONAL PRODUCT INFORMATION OR COPIES OF DRAWINGS AND TECHNICAL DOCUMENTS	PRODUCT INFORMATION CENTER 1-800-522-6752	VOLTAGE RATING: 600V MAX (1000V FIXTURE OR SIGN)		0 PLC ± - 1 PLC ± - 2 PLC ± - 3 PLC ± 0.127 [.005] 4 PLC ± - ANGLES ± -	APVD G NGO 26JUN95	TERMINAL, SPRING SPADE, LONG, PLASTI-GRIP, WIRE SIZE : 12-10 AWG
FOR APPLICATION TOOLING INFORMATION	TOOLING ASSISTANCE CENTER 1-800-722-1111	CIRCULAR MIL AREA: 2.62-6.64mm² [5,180-13,100] SOLID OR STRANDED			MATERIAL	
FOR ORDER ENTRY	1-800-526-5142	THIS DRAWING IS A CONTROLLED DOCUMENT FOR AMP INCORPORATED. IT IS SUBJECT TO CHANGE AND THE CONTROLLING ENGINEERING ORGANIZATION SHOULD BE CONTACTED FOR THE LATEST REVISION.	④	⑥	APPLICATION SPEC 114-2161	RESTRICTED TO
			CUSTOMER DRAWING	SCALE 6:1	SHEET 1 OF 1	REV N