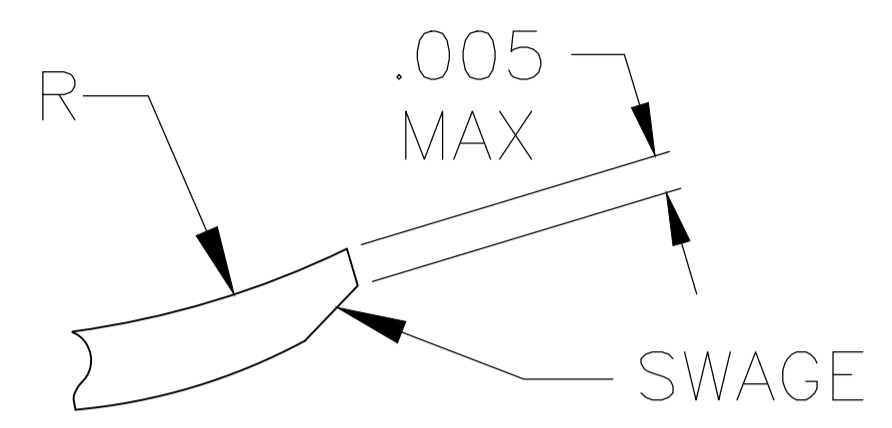
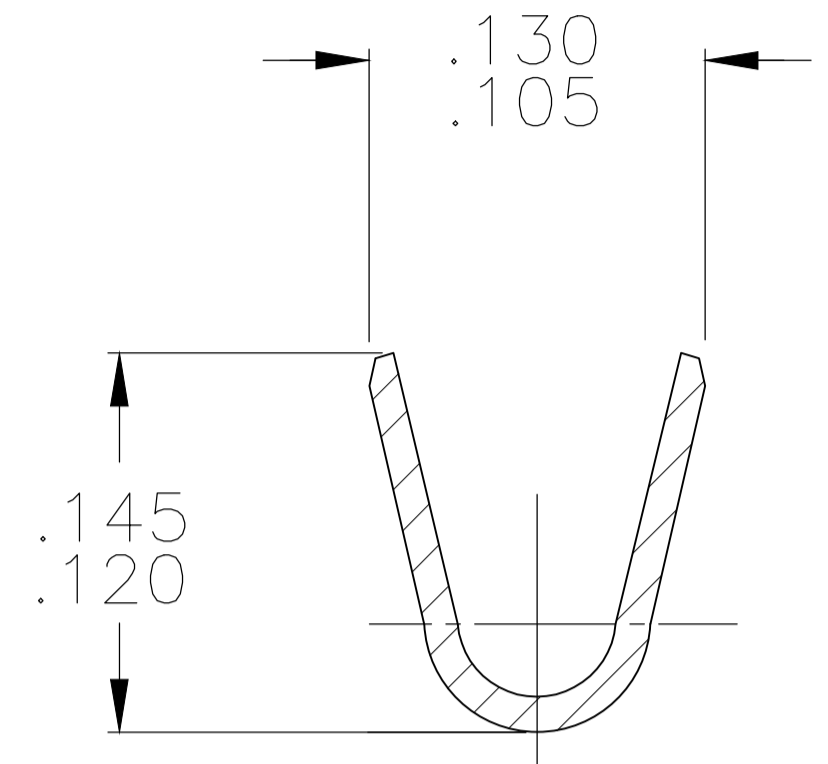
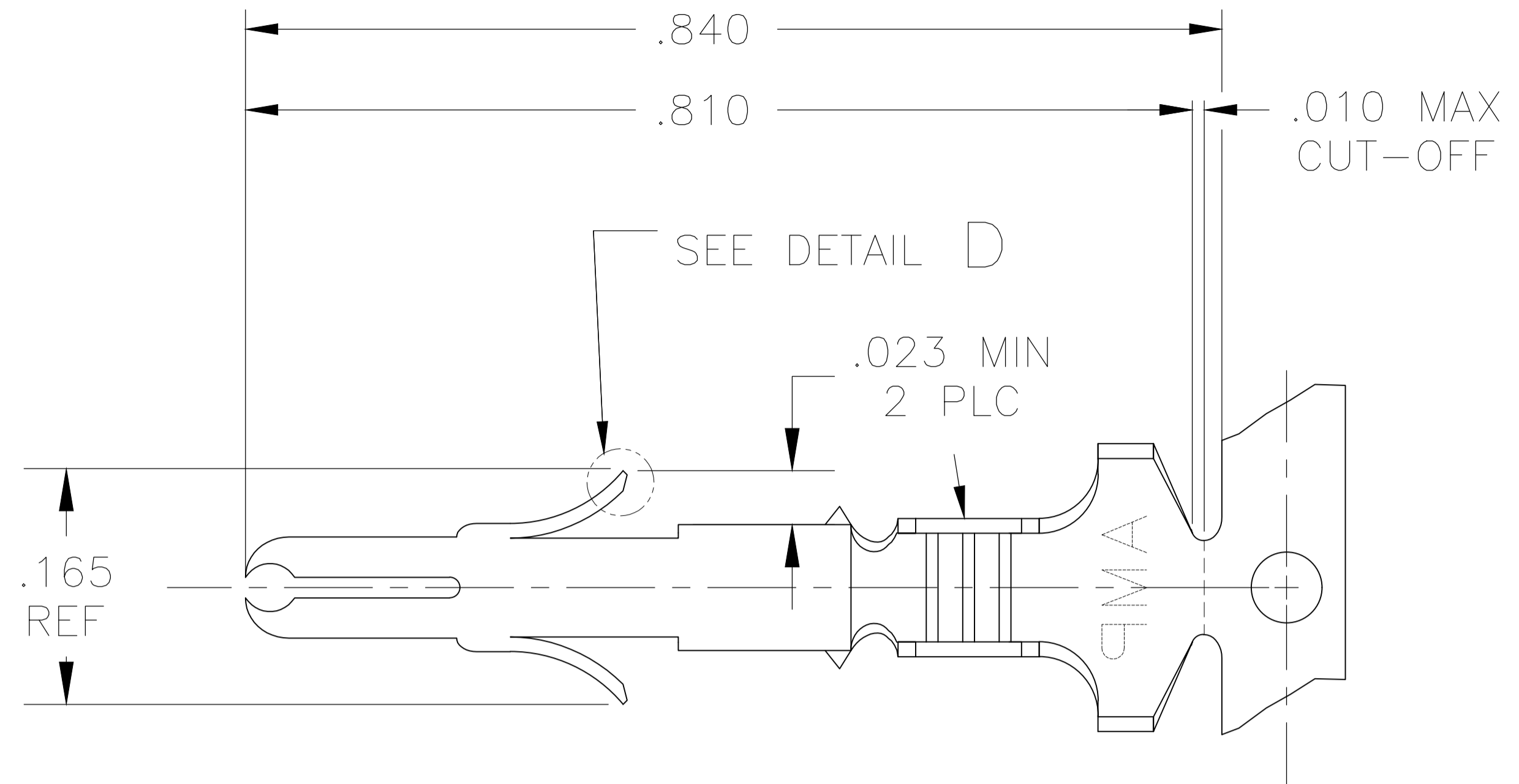


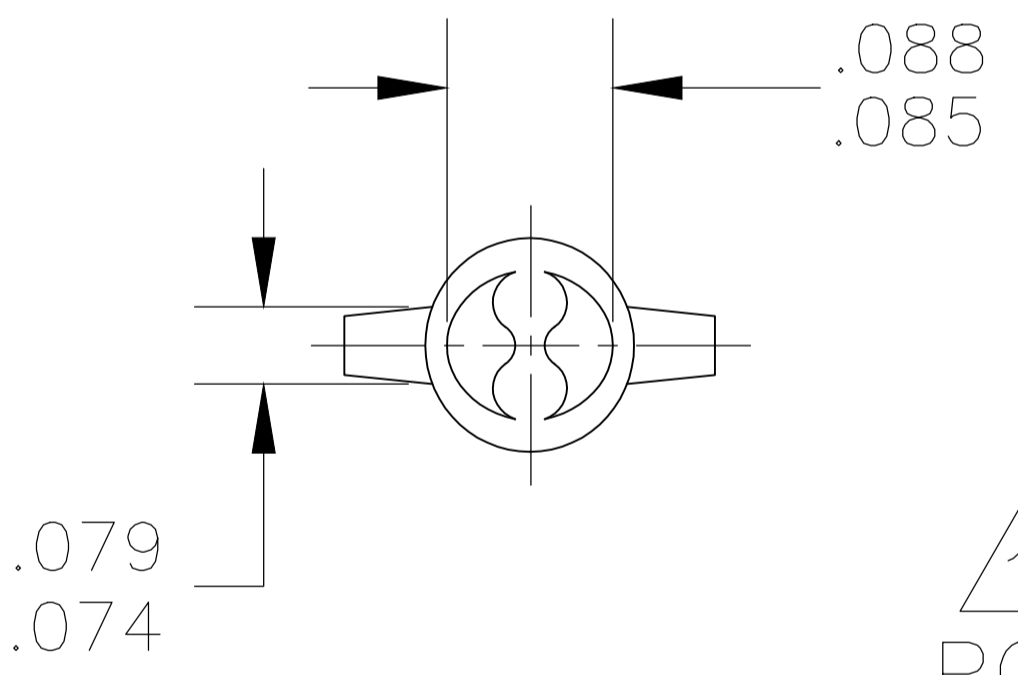
REVISIONS					
P	LTR	DESCRIPTION	DATE	DMN	APVD
Y3		REVISED PER ECR-20-100287	03AUG2020	PC	JS



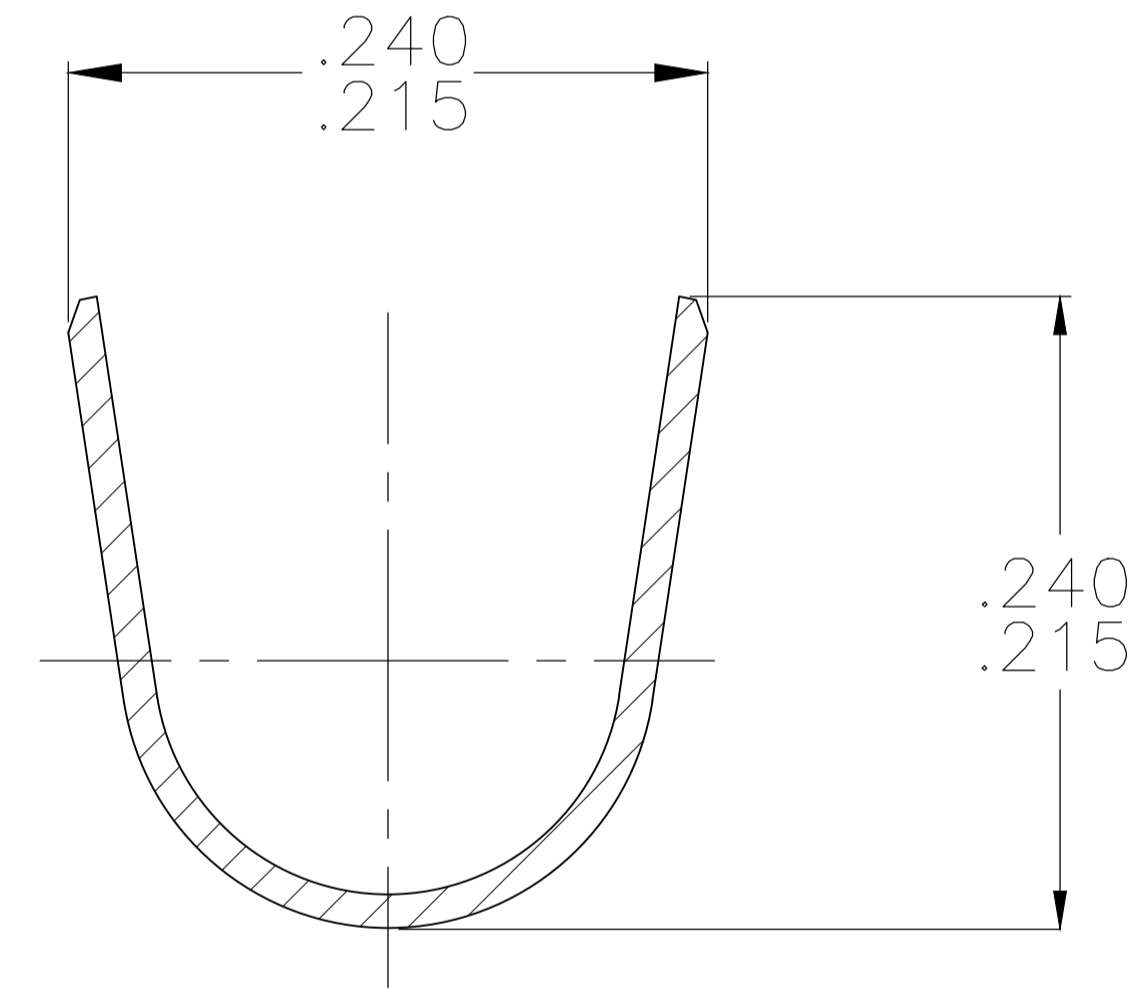
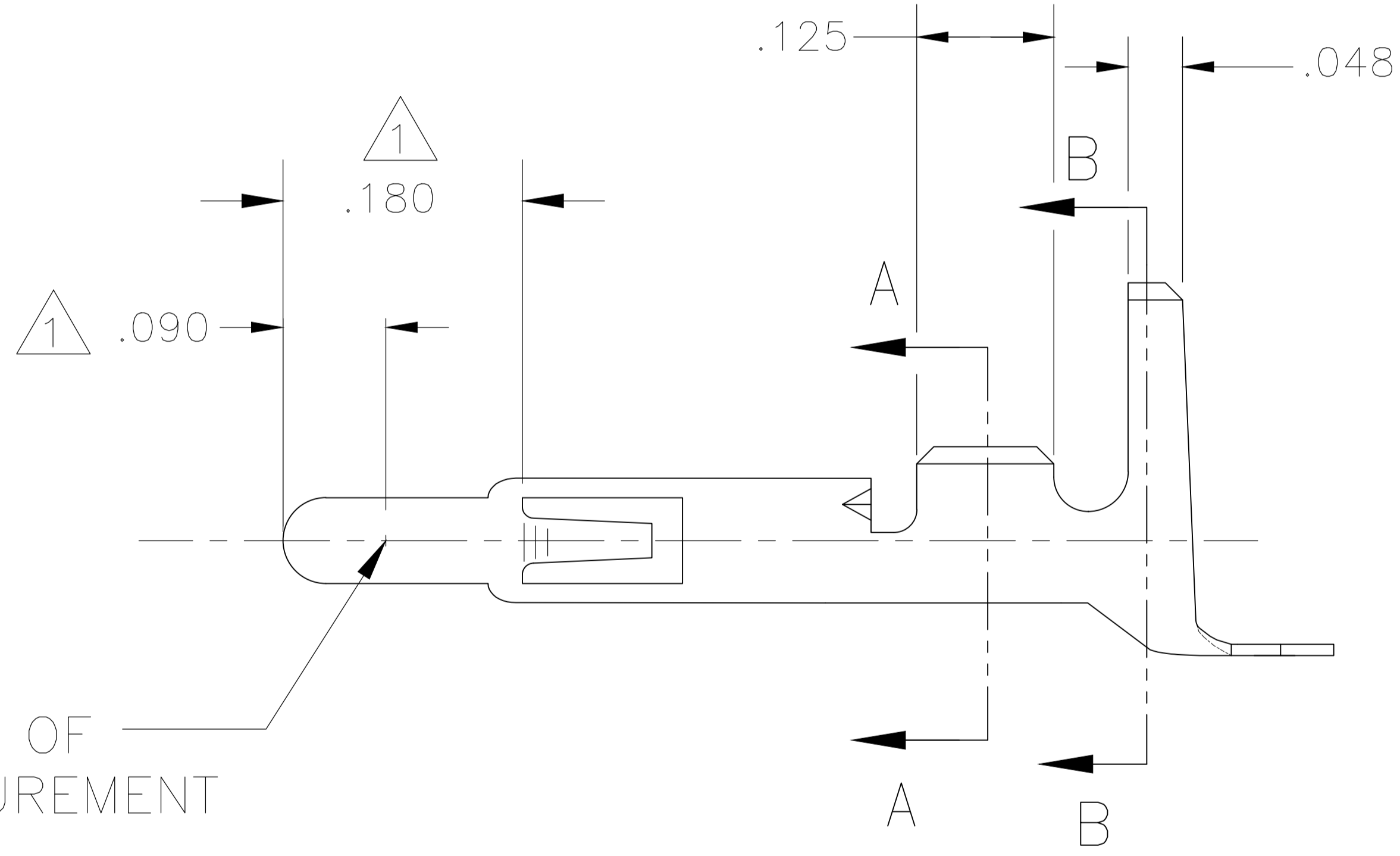
DETAIL D
SCALE 20:1



SECTION A-A
SCALE 10:1



POINT OF MEASUREMENT



SECTION B-B
SCALE 10:1

- 1 PLATED WITH .000030 GOLD, OVER .000050 NICKEL UNDERPLATE.
- 2 GOLD OVER NICKEL ON ENTIRE STAMPING; .000030 GOLD MINIMUM AT POINT OF MEASUREMENT IN CONTACT AREA, GOLD FLASH MINIMUM IN WIRE BARREL.
- 3 INSULATION RANGE : ϕ .130-.200

350707-7	.012 BRASS	GOLD 1	350700-7
-	.012 PH BR2	PRE-TIN	350700-3
350707-2	.012 BRASS	GOLD 2	350700-2
350707-1		PRE-TIN	350700-1
LOOSE PIECE (REF)	MATERIAL	FINISH	PART NUMBER

THIS DRAWING IS A CONTROLLED DOCUMENT.

DIMENSIONS: INCHES	TOLERANCES UNLESS OTHERWISE SPECIFIED:	APVD: WASVESH WARAD 31MAR2016	DMN: WICKES, EVAN 31MAR2016	NAME: WICKES, EVAN	DATE: 31MAR2016
0 PLC ± -	1 PLC ± -	2 PLC ± -	3 PLC ± .015	4 PLC ± -	ANGLES ± -
MATERIAL: -	FINISH: -	SIZE: 114-1010	WEIGHT: 0	APPLIC: 108-1031	RESTRICTED TO: -
CUSTOMER DRAWING		SCALE: 10:1	SHEET: 1 OF 2	REV: Y3	

STE TE Connectivity

SPLIT PIN, UNIVERSAL MATE-N-LOK