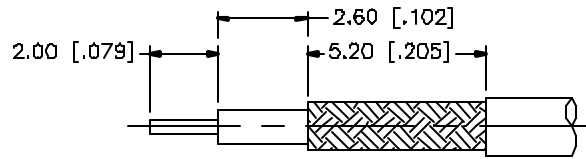
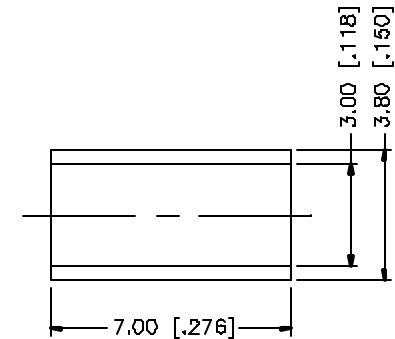
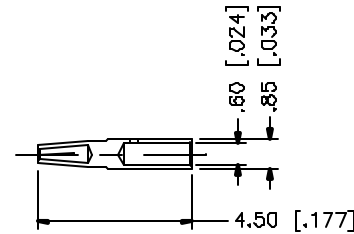
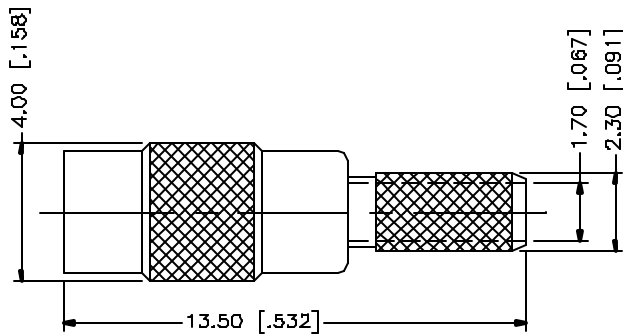


REV.	DATE	DESCRIPTION
NC	04/29/99	INITIAL RELEASE
A	05/01/04	UPDATE DRAWING FORMAT



RECOMMENDED CABLE STRIPPING DIM'S.



NOTE:

1. CRIMPED FERRULE  
HEX. CRIMP SIZE .128"
2. CONTACT PIN TO SOLDER.

REV.	DATE	DESCRIPTION
NC	04/29/99	INITIAL RELEASE
A	05/01/04	UPDATE DRAWING FORMAT

8					<small>UNLESS OTHERWISE SPECIFIED DIMENSIONS ARE IN MILLIMETERS. DIMENSIONS IN [ ] ARE IN INCHES AND FOR CUSTOMER REFERENCE ONLY.</small>  <small>UNLESS OTHERWISE SPECIFIED TOLERANCES FOR MILLIMETERS ARE:</small> 0.6 - 8mm ± 0.20mm 8 - 30mm ± 0.40mm 30 - 120mm ± 0.50mm  <small>UNLESS OTHERWISE SPECIFIED TOLERANCES FOR INCHES ARE:</small> .020 - .315 = ± 0.007" .315 - 1.180 = ± 0.015" 1.180 - 4.724 = ± 0.020"  DO NOT SCALE DRAWING	APPROVALS	DATE	<h1 style="color: blue; text-align: center;">Amphenol Connex</h1>	
7				DRAWN		G.R.S.	05/01/04		
6				CHECKED					
5	FERRULE	COPPER	GOLD	1		ISSUED			
4	BARREL	BRASS	GOLD	1		SHEET	1 OF 1		
3	CONTACT PIN	BER. COPPER	GOLD	1		PART DESCRIPTION			
2	INSULATOR	TEFLON	NATURAL	1		<b>MMCX CRIMP JACK (FOR RG-174/U,188A/U,316/U)</b>			
1	BODY	BRASS	GOLD	1		PART NO.			
	DESCRIPTION	MATERIAL	FINISH	QTY	<b>262118</b>				
					DWG. NO.	262118.DWG	REV. A	SIZE A	SCALE NA