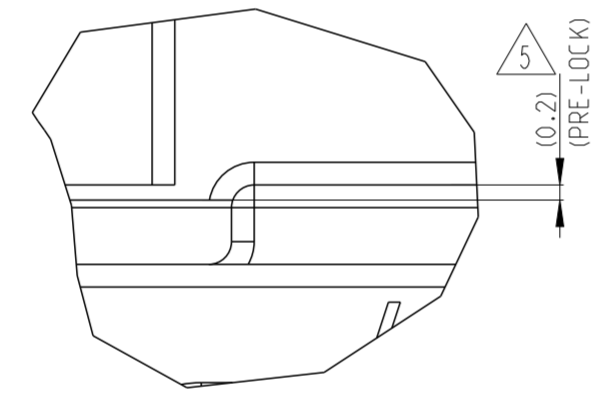
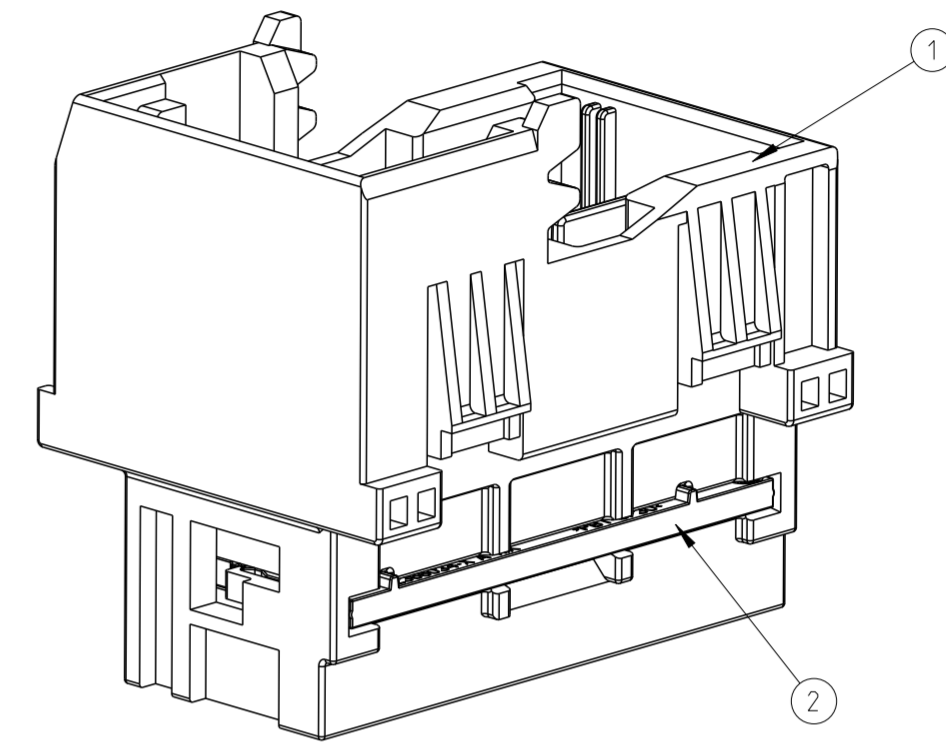
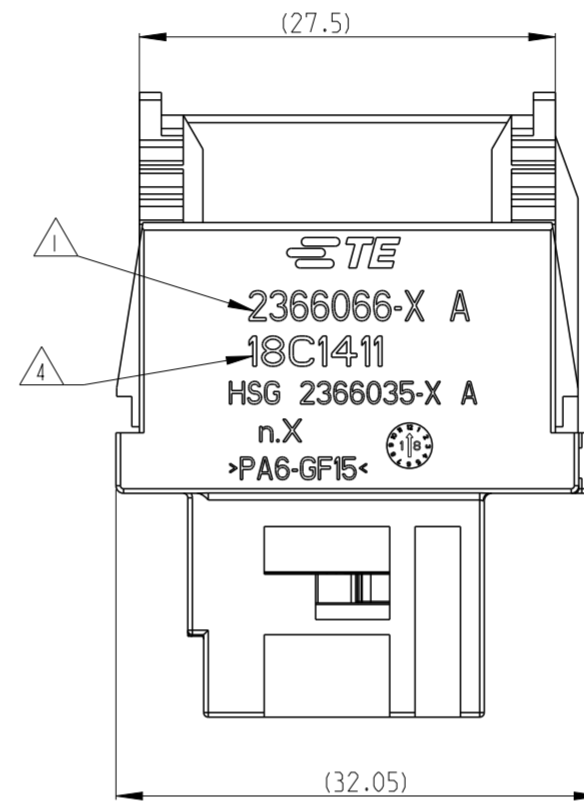
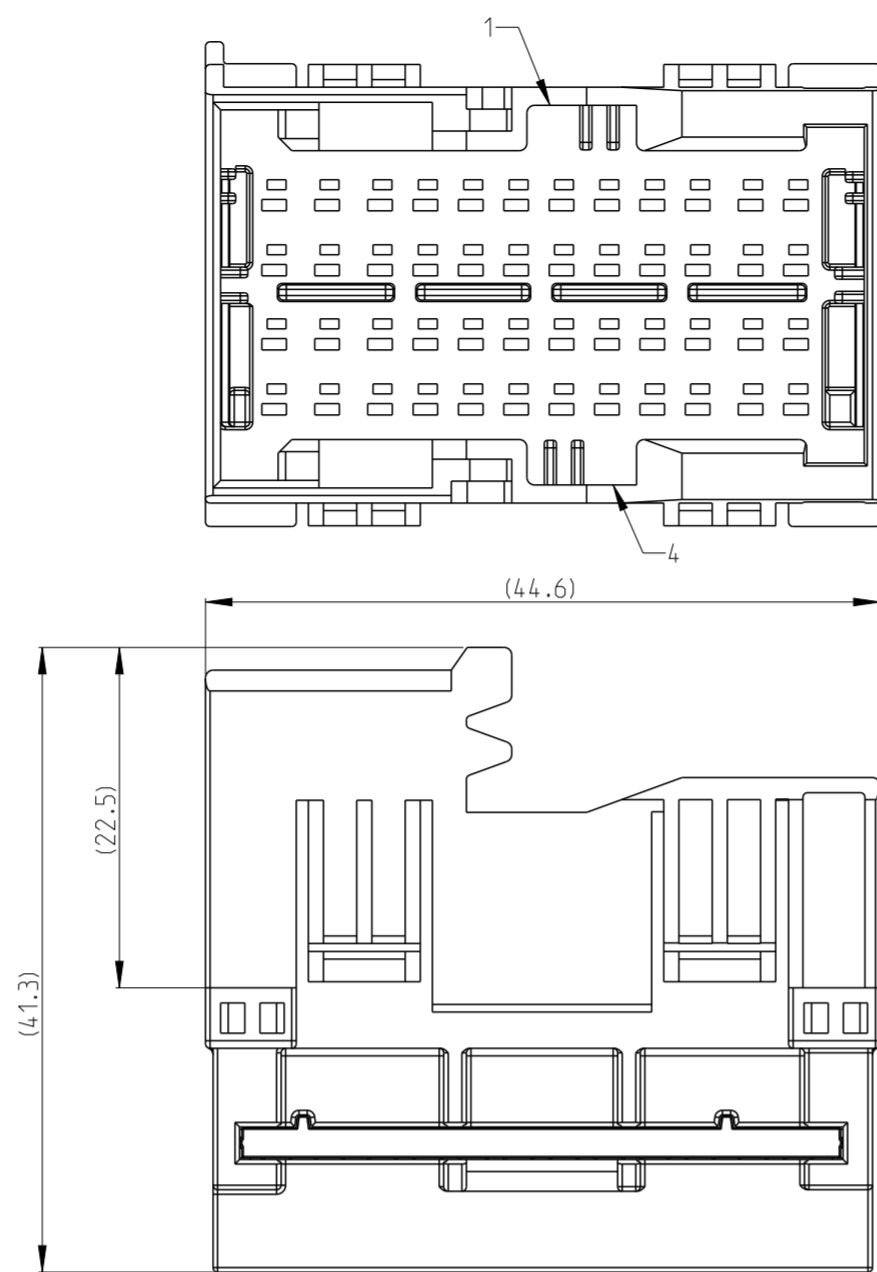
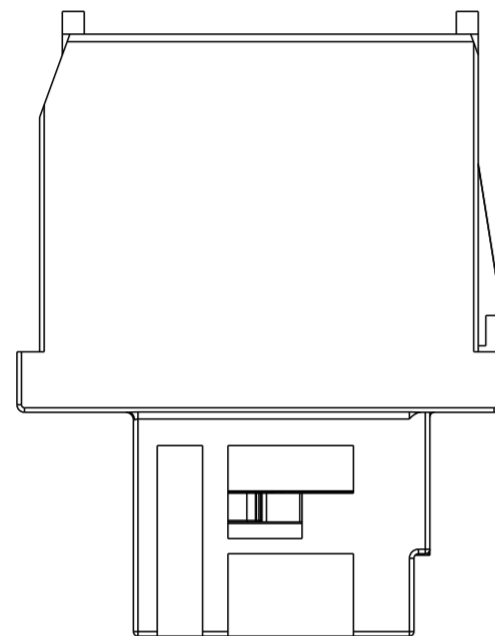


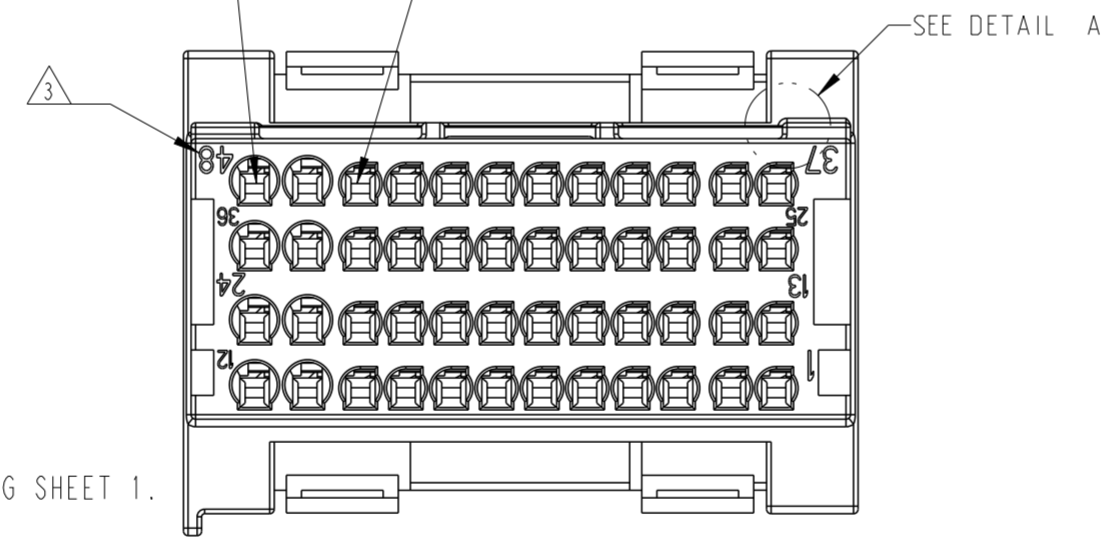
2366066-1 SHOWN AS

REVISIONS					
P	LTR	DESCRIPTION	DATE	DWN	APVD
A		INITIAL RELEASE DRAWING	15JAN2020	V.T	I.Y
A1		REVISE	15JAN2021	S.Z	I.Y
B		REVISED PER PCN -E-21-004518	16APR2021	S.Z	Z.Z
B1		REVISE ECN-22-186969	28NOV2022	W.W	Z.Z



DETAIL A
SCALE 10:1

8Pos FOR WIRE SIZE 1.5(mm²) max. INSULATION Ø2.4 mm max.
40Pos FOR WIRE SIZE 1.0(mm²) max. INSULATION Ø2.1 mm max.



CODING A PN: 2366066-1	CODING B PN: 2366066-2	CODING C PN: 2366066-3	CODING D PN: 2366066-4

- NOTES:
- ASSEMBLY PN AND PART REVISION: 2366066-X A
X: X=1, 2, 3, 4 FOR VARIOUS CODE.
A: PART REVISION, DETAIL SEE TABLE ON THE DRAWING SHEET 1.
 - MATERIAL: SEE DRAWING TABLE
 - IDENTIFICATION FOR CABLE PINOUT.
 - THE ASSEMBLY DATE CODE: IDENTIFIES THE YEAR, MONTH, DAY AND HOUR OF ASSEMBLY.
SUCH AS :18C1411
18: YEAR, FIRST AND SECOND DIGITS (18=2018)
C: MONTH, THIRD DIGIT, EXCLUDING "1", A=JAN, B=FEB, C=MARCH...H=AUGUST, J=SEPTEMBER...
14: DAY, FOURTH AND FIFTH DIGITS(14=14th DAY)
11: HOUR, SIXTH AND SEVENTH DIGITS(11=11AM)
 - VERIFY THE SECOND LOCK SEATED ON PRE-LOCK POSITION FOR DELIVERY.
PULL SECOND LOCK TO PRE-LOCK BEFORE TERMINAL INSERTION IN CASE OF SECOND LOCK BEING HIT TO END-LOCK POSITION.
 - APPLICABLE TERMINAL PART NUMBERS AND WIRE SIZE SHOWN AS BELOW FOR RECOMMEND, CONSULT TE CONNECTIVITY FOR MORE APPLICATION INFORMATION.

B1	1418760-1	TIN	0.50-0.75	Ø1.40-Ø1.90
	5-1418760-1	TIN	0.50-0.75	Ø1.40-Ø1.90
B1	1418762-1	TIN	1.0-1.5	Ø1.90-Ø2.40
	TERMINAL PN	TERMINAL PLATING	WIRE SIZE (MM2)	INSULATION WIRES OD(MM)

7. THIS TAB MATES WITH 2366036-X PLUG (X=1, 2, 3, 4 FOR RELEVANT CODE).

1	1	1	1	YELLOW	PBT-GF30	SECOND LOCK	2
1				BLUE	PA6-GF15	HOUSING.CODE D	1
	1			GREEN	PA6-GF15	HOUSING.CODE C	
		1		GREY	PA6-GF15	HOUSING.CODE B	
			1	BLACK	PA6-GF15	HOUSING.CODE A	
QTY. REQUEST PER ASSY				COLOR	MATERIAL	DESCRIPTION	ITEM NO
19.61	19.61	19.61	19.61	WEIGHT OF EACH ASSY NO. (g)			
B	B	B	B	REVISION OF EACH ASSY NO.			
2366066-4	2366066-3	2366066-2	2366066-1	TE ASSEMBLY PN			

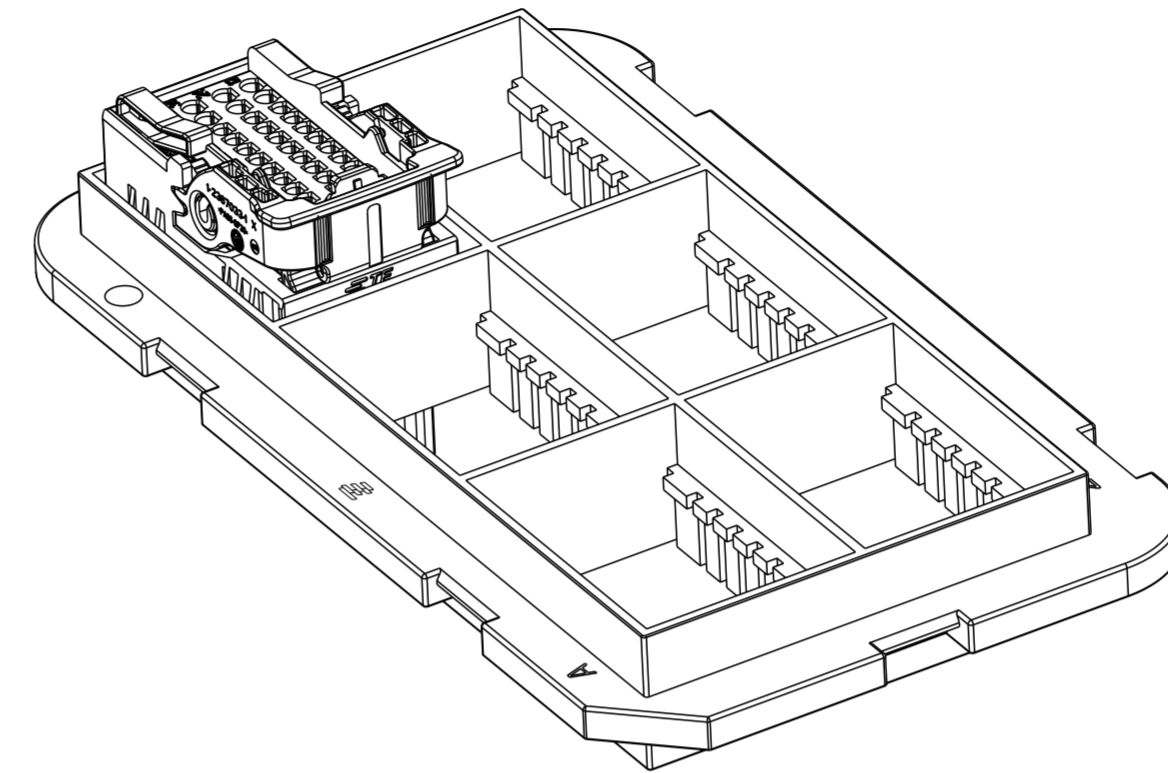
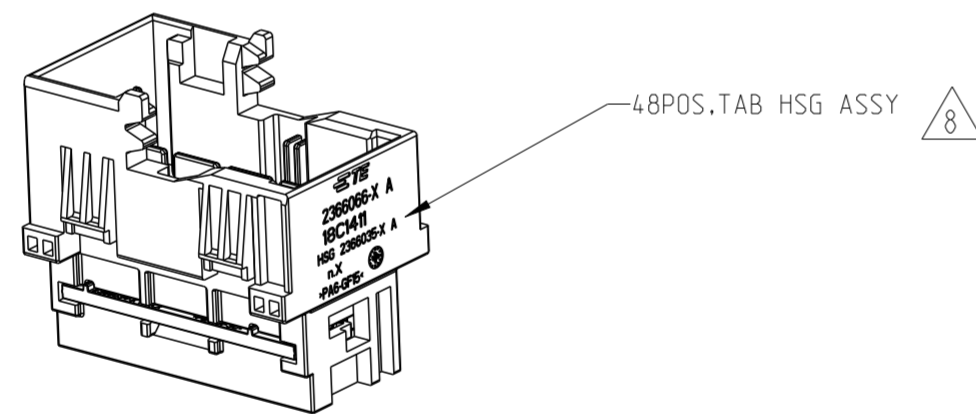
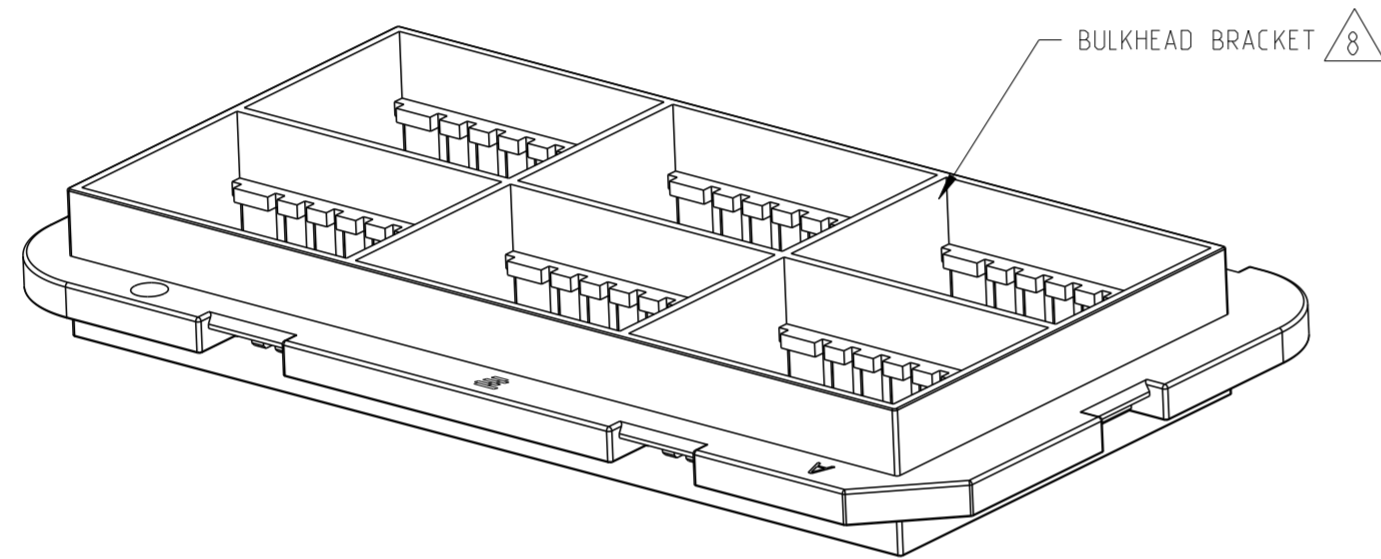
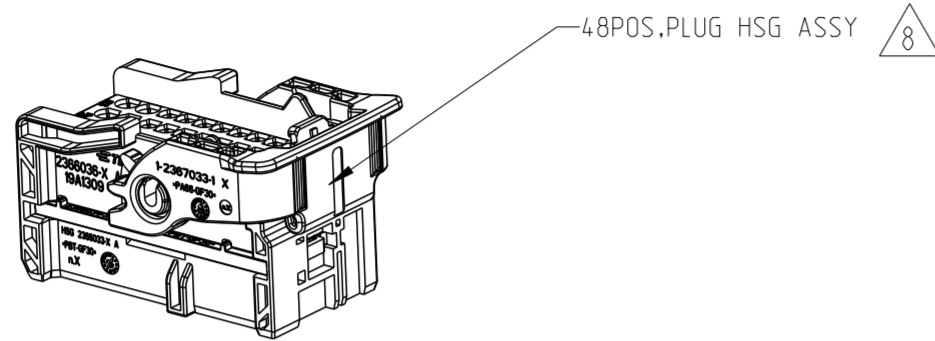
THIS DRAWING IS A CONTROLLED DOCUMENT.

DIMENSIONS: mm	TOLERANCES UNLESS OTHERWISE SPECIFIED:	DWN V. TANG 03JAN2020	TE Connectivity NAME 48POS, MCON 1.2 LL, TAB HSG ASSY UNSEALED, CONNECTOR SIZE CAGE CODE DRAWING NO RESTRICTED TO A2 00779 C-2366066
		CHK E. JIANG 03JAN2020	
		APVD J. YIN 03JAN2020	
		PRODUCT SPEC 108-32618	
		APPLICATION SPEC 114-32365	
MATERIAL	FINISH	WEIGHT	RESTRICTED CUSTOMER

SCALE 2:1 SHEET 1 OF 2 REV B1

P	LTR	DESCRIPTION	DATE	DWN	APVD
-	-	SEE SHEET 1	-	-	-

APPLICATION AS SHOWN



SCALE 1:1

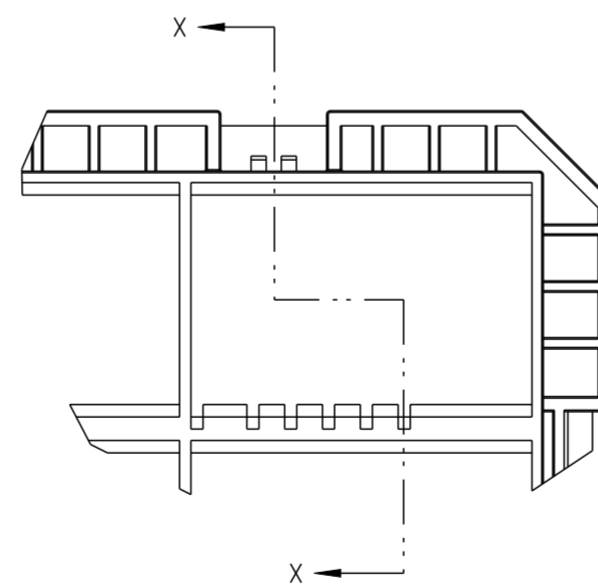
NOTES:

8 .48POS.TAB AND PLUG HSG ASSY MATES WITH BULKHEAD BRACKET.

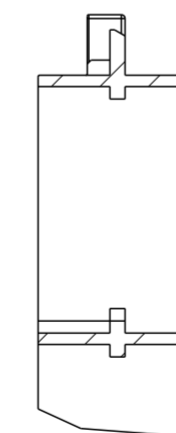
48POS. HSG ASSY P/N: MALE SIDE:2366066-*.FEMALE SIDE:2366036-*

BULKHEAD BRACKET P/N: 2050752-1 OR FOLLOW DIMENSIONS ON INTERFACE.


IF THERE ARE ANY OTHER APPLICATIONS FOR THIS BRACKET, PLEASE CONFIRM WITH TE PRODUCT ENGINEER FIRST.



BULKHEAD BRACKET INTERFACE



SECTION X-X

THIS DRAWING IS A CONTROLLED DOCUMENT.		DWN V. TANG 03JAN2020	 TE Connectivity	
DIMENSIONS: mm		CHK E. JIANG 03JAN2020		
TOLERANCES UNLESS OTHERWISE SPECIFIED:		APVD J. YIN 03JAN2020	NAME 48POS, MCON 1.2 LL, TAB HSG ASSY UNSEALED, CONNECTOR	
0 PLC	±0.5	PRODUCT SPEC	108-32618	
1 PLC	±0.3	APPLICATION SPEC	114-32365	
2 PLC	±0.20	WEIGHT	-	
3 PLC	±0.100	RESTRICTED CUSTOMER	SCALE 2:1 SHEET 2 OF 2 REV B1	
4 PLC	±0.0500			
ANGLES	±5°			
FINISH	-			
MATERIAL	-			